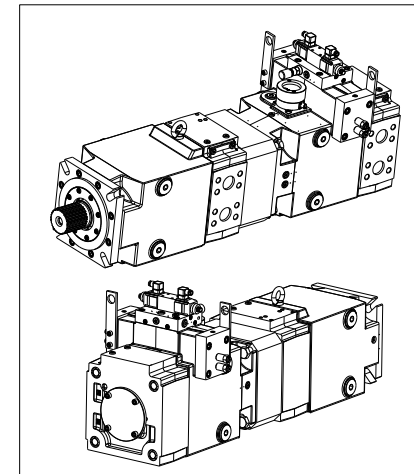
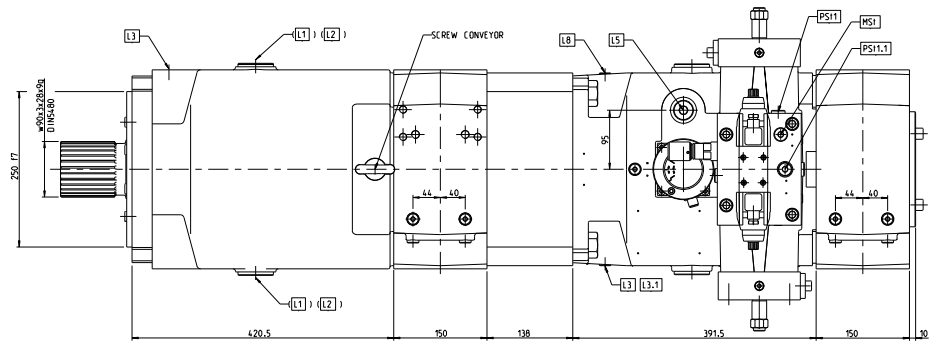
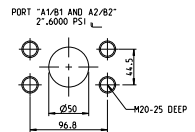
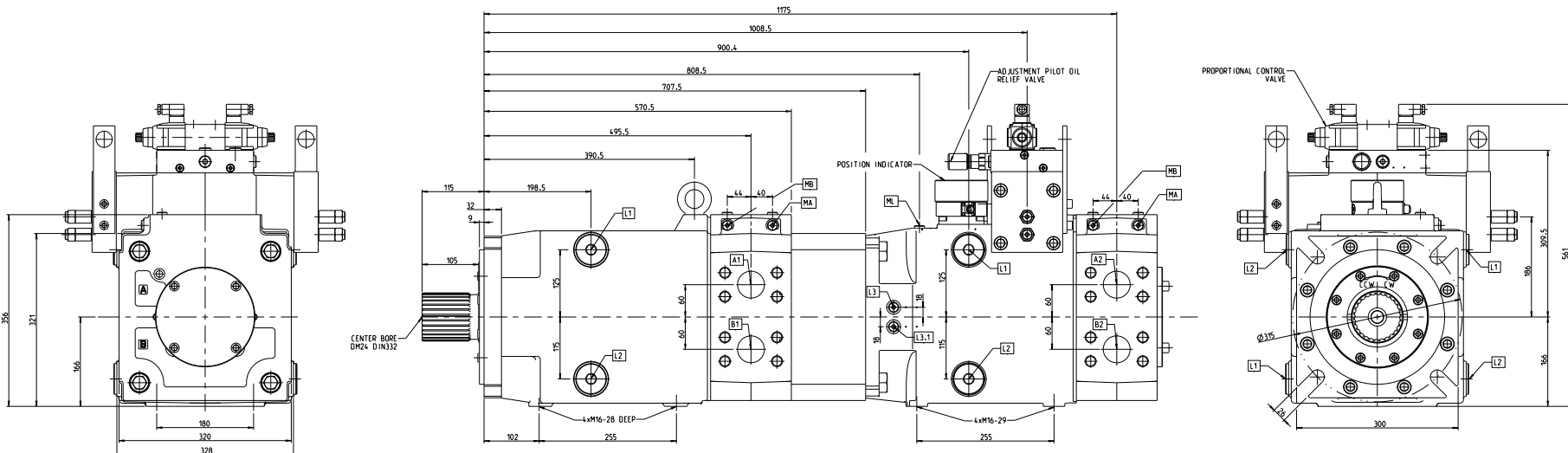


REVISIONS		DATE	APPROVED
A	ENGINEERING RELEASE	2/10/2008	AL
B	Screws HC 000000317285 added HC-2008-405-04-ECO	01/08/09	HK



750 CC FRONT MOTOR

500 CC REAR MOTOR

- [A1] SYSTEM PRESSURE PORT SAE 2", 6000 psi
- [B1] SYSTEM PRESSURE PORT SAE 2", 6000 psi
- [L1] DRAIN PORT 1.625-12UNF-2B (ACCORDING TO MOUNTING POSITION USE UPPER PORT)
- [L2] DRAIN PORT G 1 1/2" (ACCORDING TO MOUNTING POSITION USE UPPER PORT)
- [L3] VENTILATION PORT FOR VERTICAL MOUNTING G 1/4" (SHAFT UPWARD)
- [MA] GAUGE PORT SYSTEM PRESSURE G 1/4"
- [MB] GAUGE PORT SYSTEM PRESSURE G 1/4"
- (...) NORMALLY PLUGGED

- [A2] SYSTEM PRESSURE PORT SAE 2", 6000 psi
- [B2] SYSTEM PRESSURE PORT SAE 2", 6000 psi
- [L1.1] DRAIN PORT 1.5/8"-12UNF-2B (ACCORDING TO MOUNTING POSITION USE UPPER PORT)
- [L2] DRAIN PORT G 1 1/2" (ACCORDING TO MOUNTING POSITION USE UPPER PORT)
- [L3.1] VENTILATION PORT FOR VERTICAL MOUNTING G 3/8" (SHAFT UPWARD)
- [L3.1.1] VENTILATION PORT FOR VERTICAL MOUNTING G 3/8" (SHAFT UPWARD)
- [L3.1.2] OIL FELLING PLUG 1 1/16" -UNF-2B
- [MA] GAUGE PORT SYSTEM PRESSURE G 1/4"
- [MB] GAUGE PORT SYSTEM PRESSURE G 1/4"
- [ML] GAUGE PORT OF CASE PRESSURE G 1/4"
- [MS1] GAUGE PORT OF CASE PRESSURE G 1/4"
- [PS11] PORT OF PILOT PRESSURE G 1/2"
- [PS11.1] PORT OF PILOT PRESSURE G 3/8"
- (...) NORMALLY PLUGGED

Direction of rotation	Input	Output
Right hand rotation	B	A
Left hand rotation	A	B

THE REPRODUCTION, DISTRIBUTION, AND UTILIZATION OF THIS DOCUMENT, AS WELL AS THE COMMUNICATION OF ITS CONTENTS TO OTHERS WITHOUT EXPLICIT AUTHORIZATION IS PROHIBITED. OFFENDERS WILL BE HELD LIABLE FOR THE PAYMENT OF DAMAGES. ALL RIGHTS RESERVED IN THE EVENT OF THE GRANT OF A PATENT, UTILITY MODEL, OR DESIGN. (PER ISO 18016)

PROJ. NO.	REP.	DATE	BY	APPROVED	DATE	BY
...
DRAWING NO.		REV.	DESCRIPTION	DATE	BY	APPROVED
MFW C - 750000500SP0000000000HC816183000200		A0	HC 056183000200