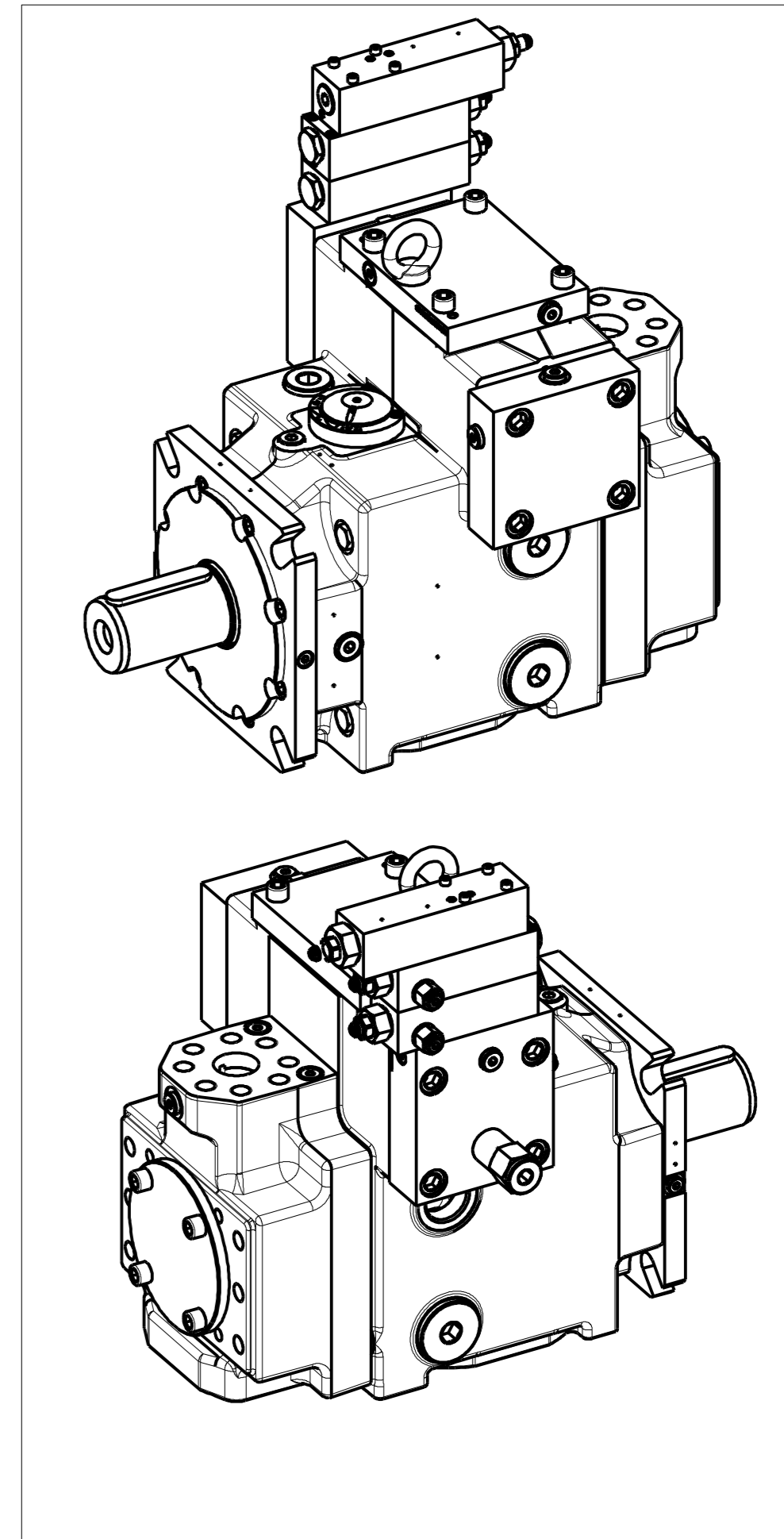
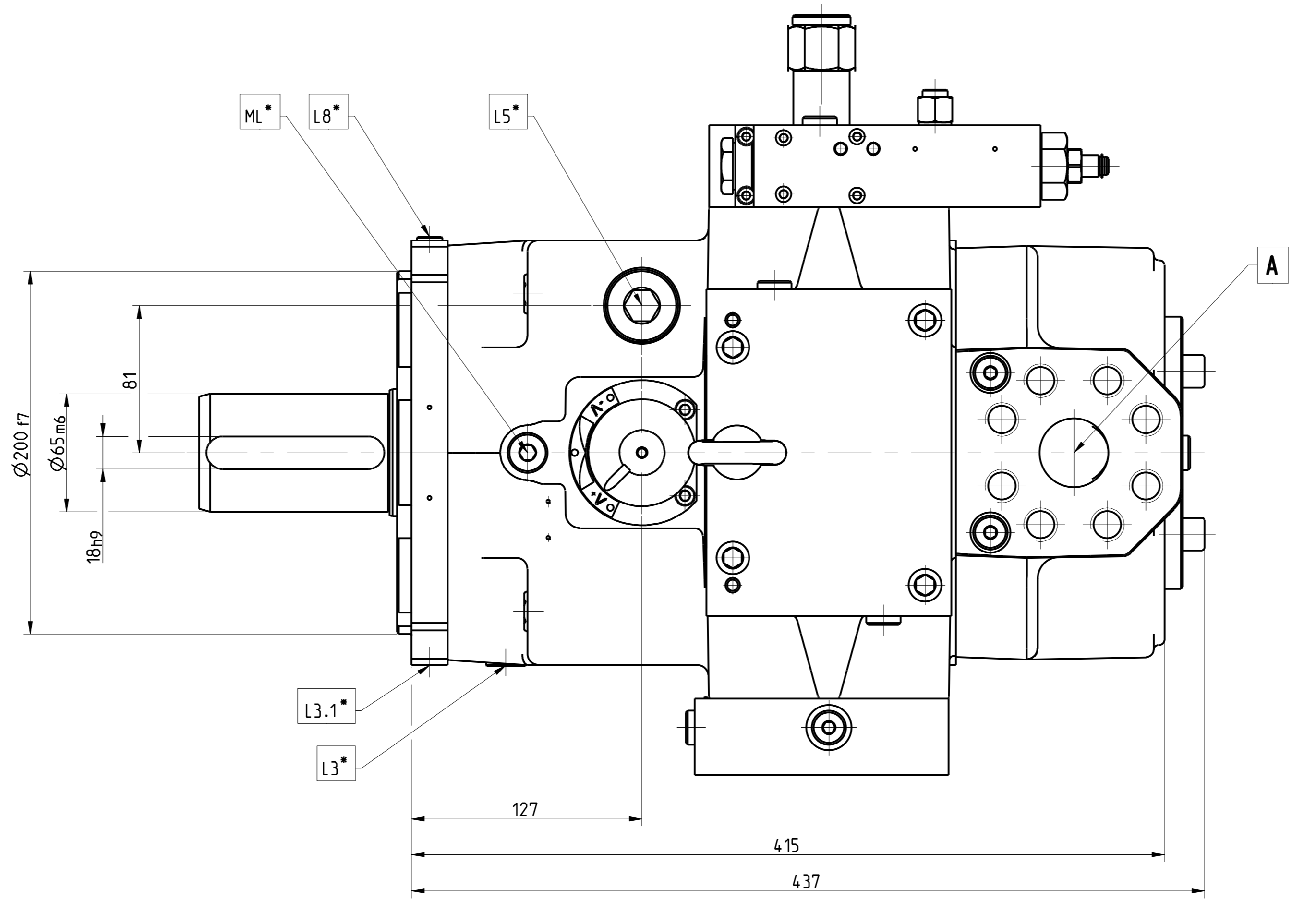
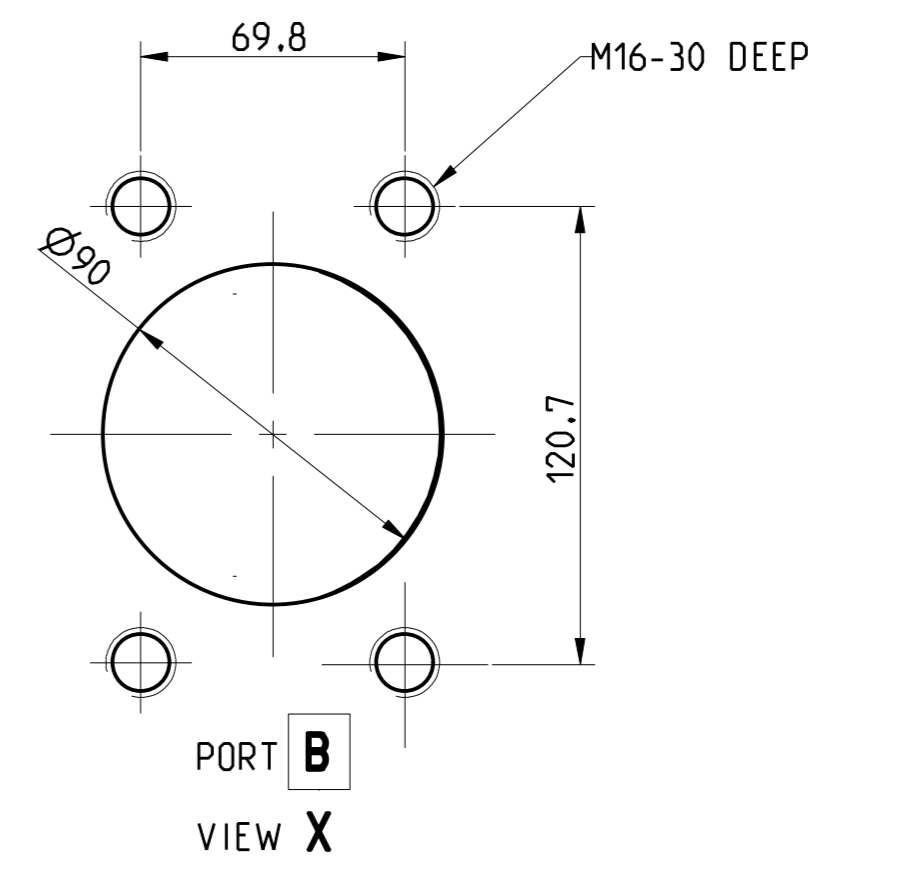
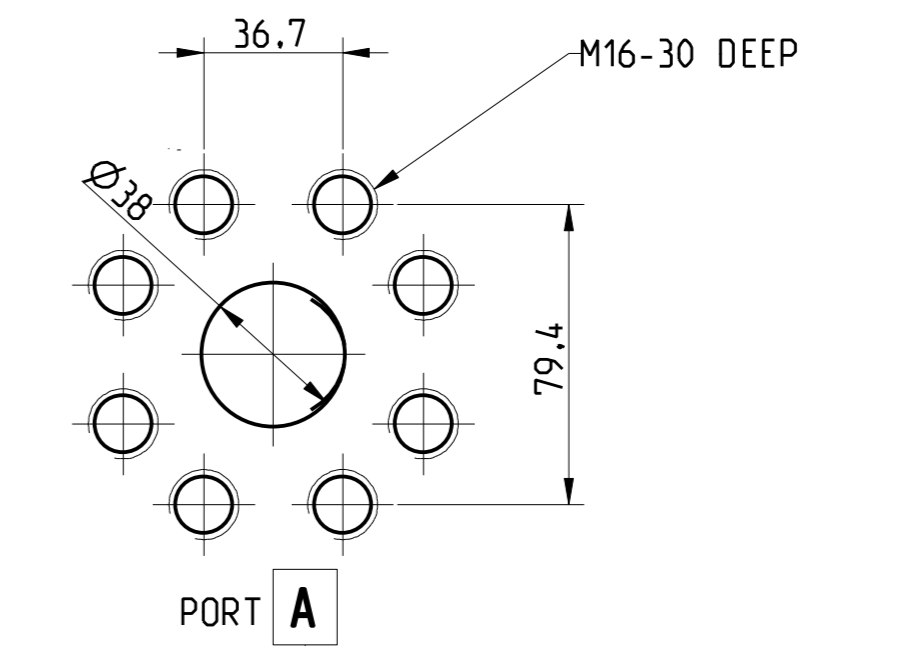
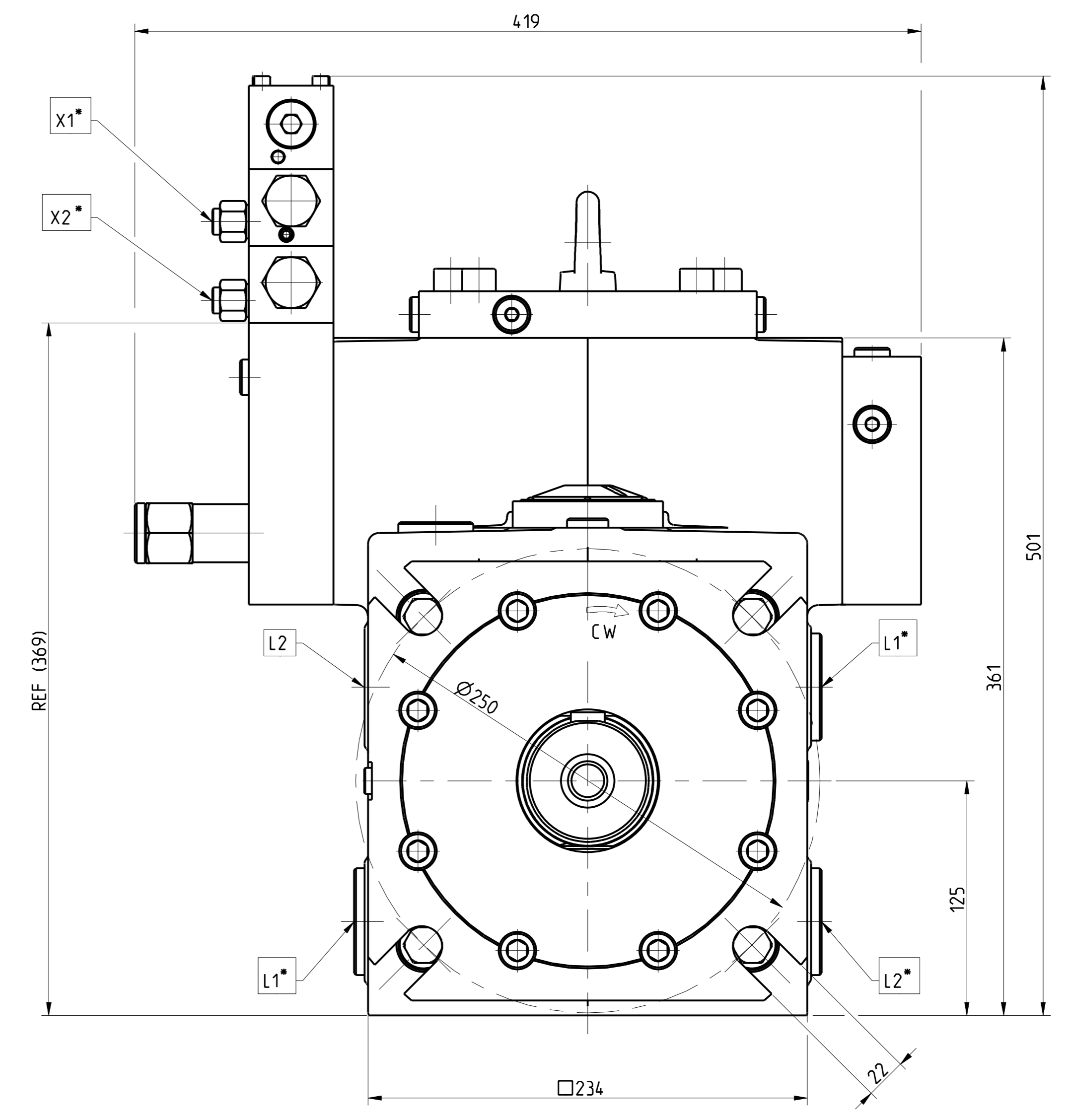
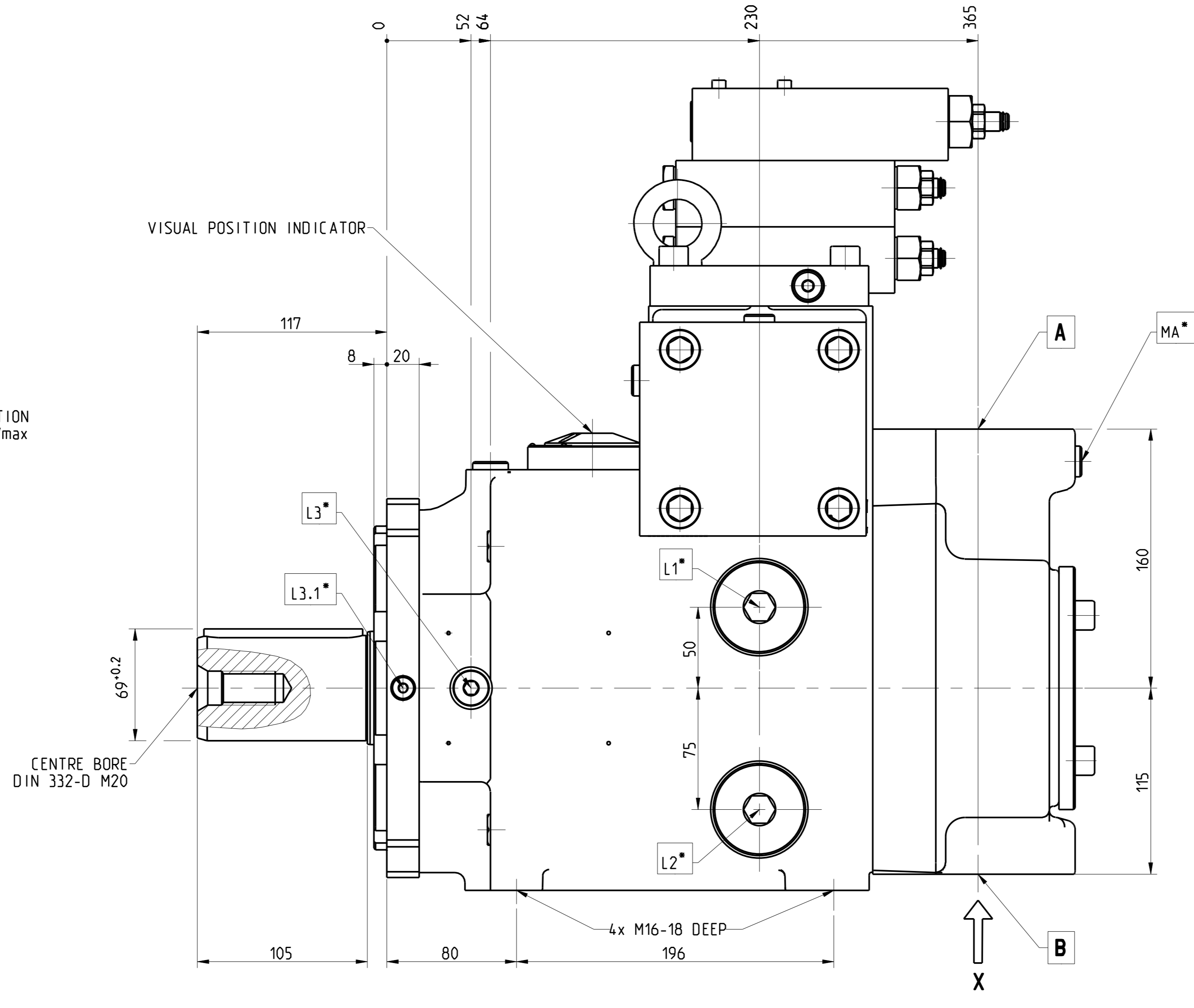
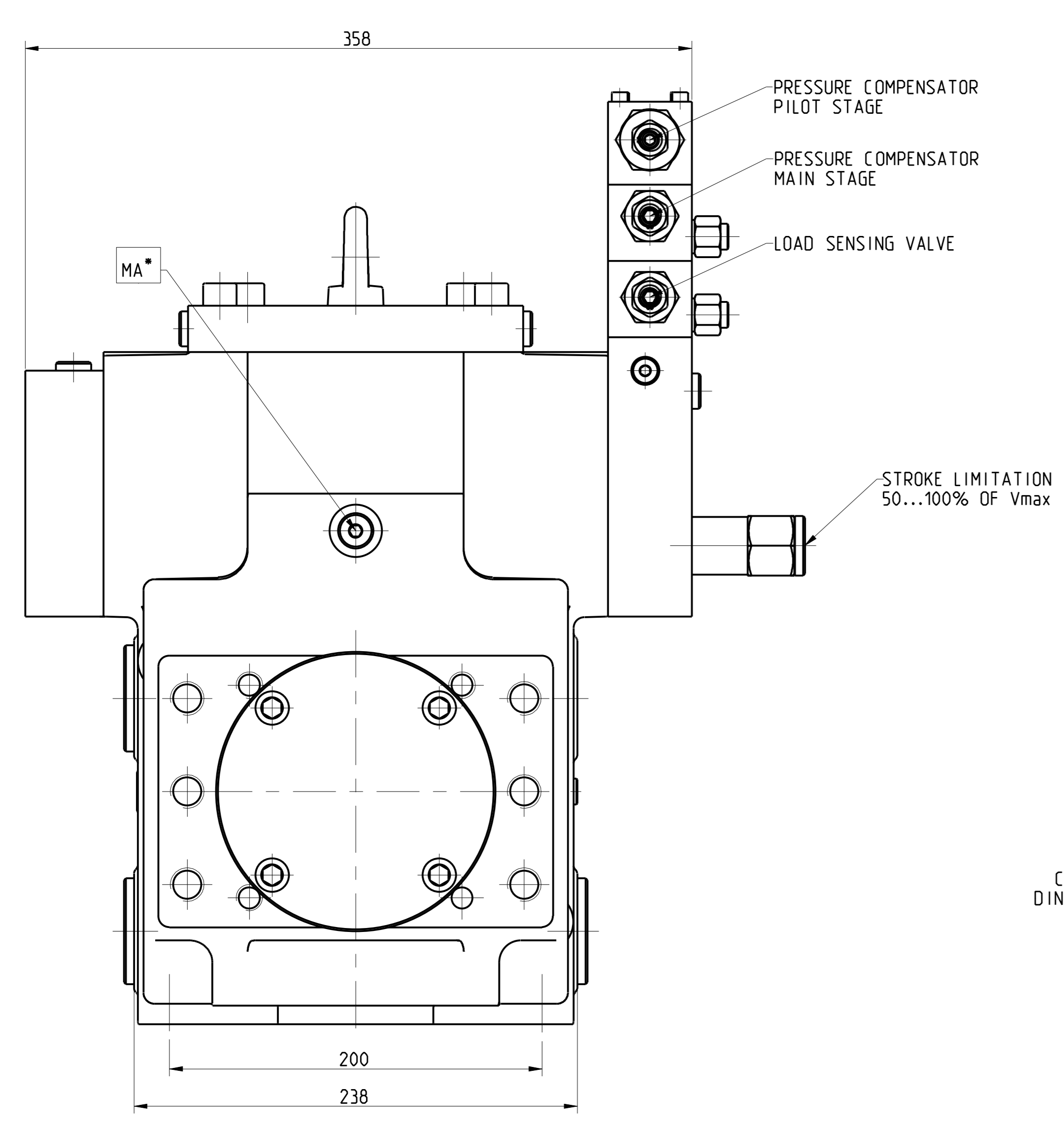


CAE DRAWING *** DO NOT CHANGE ORIGINAL				
REVISIONS				
ZONE	LTR	DESCRIPTION	DATE	APPROVED
D		ENGINEERING RELEASE	20Sep12	I.Hangad
E		DRAWING REVISED	12Jun14	P.Vollberg



- A SYSTEM PRESSURE PORT SAE 1 1/2" - 6000 PSI
- B INLET PORT SAE 3 1/2" - 500 PSI
- L1 DRAIN PORT 1 5/8"-12 UNF-2B (ACCORDING TO MOUNTING POSITION USE UPPER PORT)
- L2 DRAIN PORT G 1 1/4" (ACCORDING TO MOUNTING POSITION USE UPPER PORT)
- L3 VENTILATION PORT FOR VERTICAL MOUNTING G 3/8" (SHAFT UPWARD)
- L3.1 PORT G 1/8"
- L5 OIL FILLING PLUG 1 1/16" - 12 UNF-2B
- L8 AIR BLEEDING PORT G 1/4"
- MA GAUGE PORT SYSTEM PRESSURE G 1/4"
- ML GAUGE PORT OF CASE PRESSURE G 1/4"
- X1 REMOTE PORT PRESSURE COMPENSATOR, G 1/4"-12.5 DEEP
- X2 REMOTE PORT LOAD SENSING G 1/8"
- ... CONNECTION WITH PLUG

DIRECTION OF ROTATION	CONTROL	INPUT	OUTPUT
RIGHT HAND ROTATION	TO +V MAX	B	A

THE REPRODUCTION, DISTRIBUTION, AND UTILIZATION OF THIS DOCUMENT, AS WELL AS THE COMBINATION OF ITS CONTENTS TO OTHERS WITHOUT EXPLICIT AUTHORIZATION IS PROHIBITED. OFFENDERS WILL BE HELD LIABLE FOR THE PAYMENT OF DAMAGES. ALL RIGHTS RESERVED IN THE EVENT OF THE GRANT OF A PATENT, UTILITY MODEL, OR DESIGN. (PER ISO 10316)

REF.	REV.	DATE	BY	CHK.	APP.
	1	20Sep12	R.Kundu	I.Hangad	
<b>Danfoss</b> INSTALLATION OF PVWS-250... WITH DF000A1...-CONTROL					
SHEET NO. A0			SHEET NO. 1		REV. E
SCALE 1:2			WEIGHT		SHEET 1 OF 4