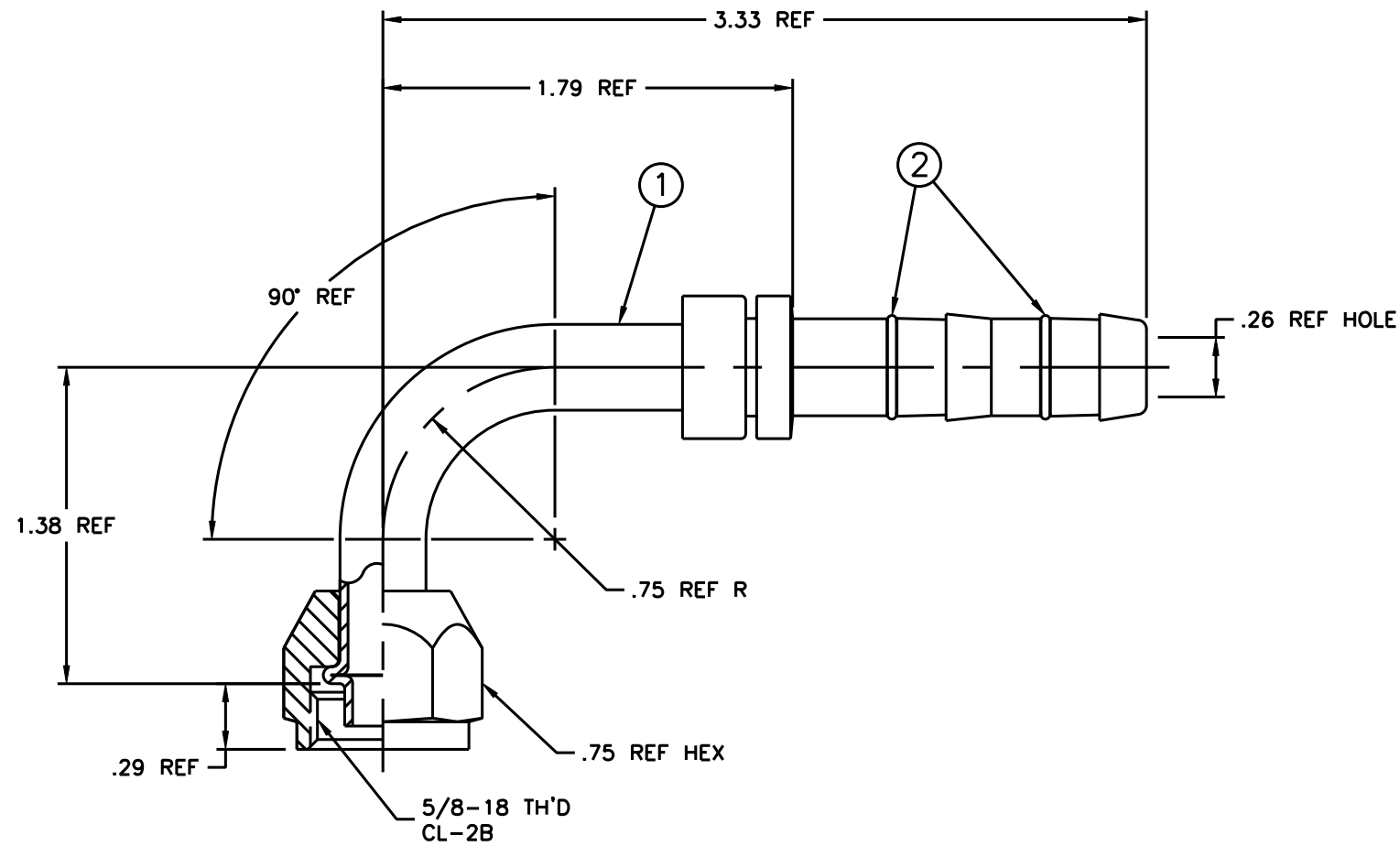


THE REPRODUCTION, DISTRIBUTION AND UTILIZATION OF THIS DOCUMENT, AS WELL AS THE COMMUNICATION OF ITS CONTENTS TO OTHERS WITHOUT EXPLICIT AUTHORIZATION IS PROHIBITED. OFFENDERS WILL BE HELD LIABLE FOR THE PAYMENT OF DAMAGES. ALL RIGHTS RESERVED IN THE EVENT OF THE GRANT OF A PATENT, UTILITY MODEL OR DESIGN. (PER ISO 15016)

REVISIONS			
REV	DESCRIPTION	DATE	APPROVED



INCH

FJ5985-0608S	FJ4985-0608S	1F40106-08			
AEROQUIP PART NUMBER	① NIPPLE ASSEMBLY	② O'RINGS (2 REQ'D)			
LIST OF MATERIALS					
ITEM NO.	MATERIAL	DRAWN R ICKES			
1	STEEL	CHECKED J. BAHNSEN			
2	HNBR	APPROVED J. BAHNSEN			
		RELEASE DATE 1999-11-01			
		EN-F19331			
		RPS-6052			
		SIZE A2	DRAWING NUMBER FJ5985-0608S	REV	
		SCALE 2/1	DIST U	CAGE CODE 01276	SHEET NO

1. PROCESS AS FOLLOWS:
(a) LUBRICATE O'RINGS AND ASSEMBLE ON NIPPLE AS SHOWN.

REV. SH. FJ5985-0608S DWG. NO.