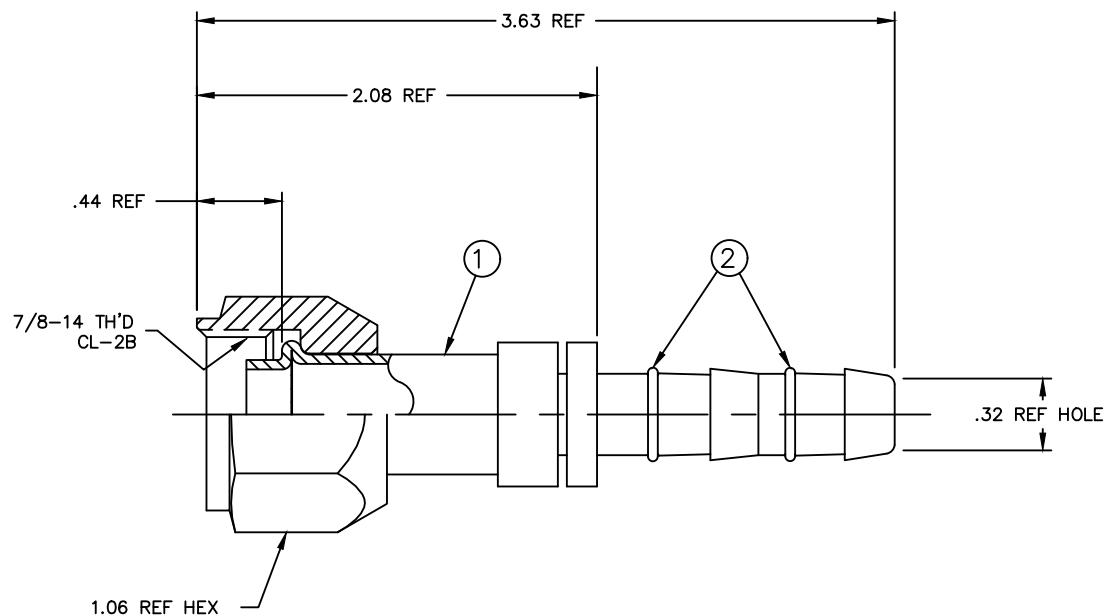


ADVANCE PRINT



1. PROCESS AS FOLLOWS:
 (a) LUBRICATE O-RINGS, AND ASSEMBLE ON NIPPLE AS SHOWN

INCH

FJ5984-1008S	FJ4984-1008S	1F40106-08			
AEROQUIP PART NUMBER	① NIPPLE ASSEMBLY	② O-RING (2 REQUIRED)			
LIST OF MATERIALS					
ITEM NO.	MATERIAL	DRAWN GENE MAYER CHECKED	FLUID CONVEYANCE DIVISION		
1	STEEL	APPROVED			
2	HNBR	RELEASE DATE 2002-04-10	DRAWING TITLE FITTING ASSEMBLY FEMALE O-RING PILOT (SHORT), GH134 HOSE		
		THIRD ANGLE PROJECTION	SIZE A2	DRAWING NUMBER FJ5984-1008S	REV -
		ITEM TYPE DTZA	SCALE NTS	DIST U	CAGE CODE 01276
					SHEET NO 1

DWG. NO. FJ5984-1008S

IN

REV. 1

SH. 1