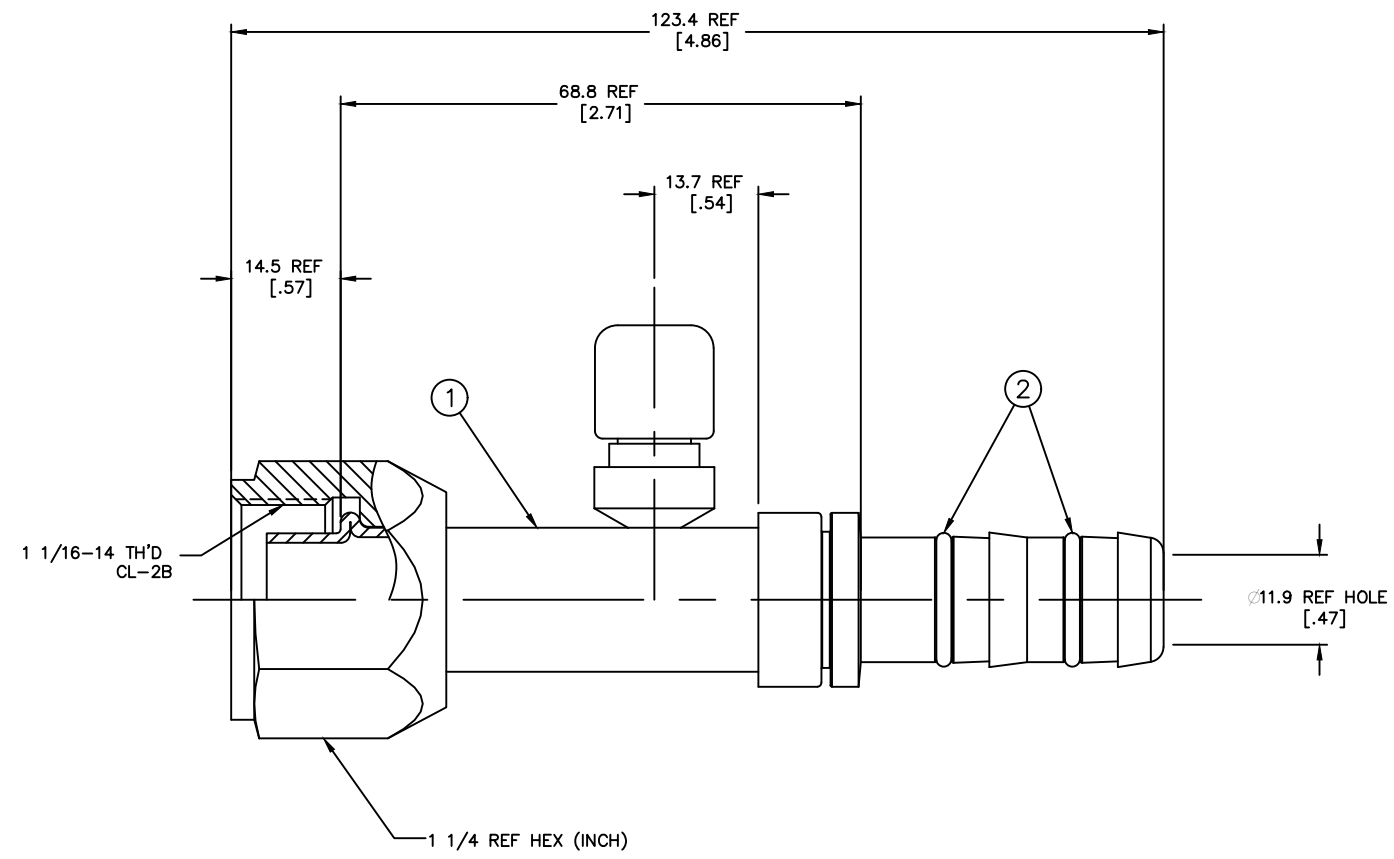


REVISIONS			
REV	DESCRIPTION	DATE	APPROVED



- 2. DIMENSIONS ARE IN MILLIMETER [INCHES].
- 1. LUBRICATE O-RINGS AND ASSEMBLE TO NIPPLE AS SHOWN.

FJ3461-03-1212S	FJ2461-03-1212S	1F40106-12			
AEROQUIP PART NUMBER	① NIPPLE ASSEMBLY	② O-RING (2 REQUIRED)			
LIST OF MATERIALS					
ITEM NO.	MATERIAL	DRAWN S. HART	FLUID CONVEYANCE DIVISION DRAWING TITLE FITTING ASSEMBLY FEMALE O-RING PILOT (LONG) WITH M12 SWITCH PORT, GH134 HOSE		
1	STEEL	CHECKED S. MYERS			
2	HNBR	APPROVED D. KAUFMAN			
		RELEASE DATE 2001-08-14			
		EN-F21647	SIZE A2	DRAWING NUMBER FJ3461-03-1212	REV
		RPS-10187	SCALE 2/1	DIST U	CAGE CODE 01276
		THIRD ANGLE PROJECTION	SHEET		

DWG. NO. FJ3461-03-1212