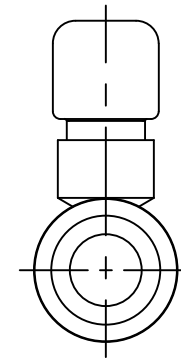
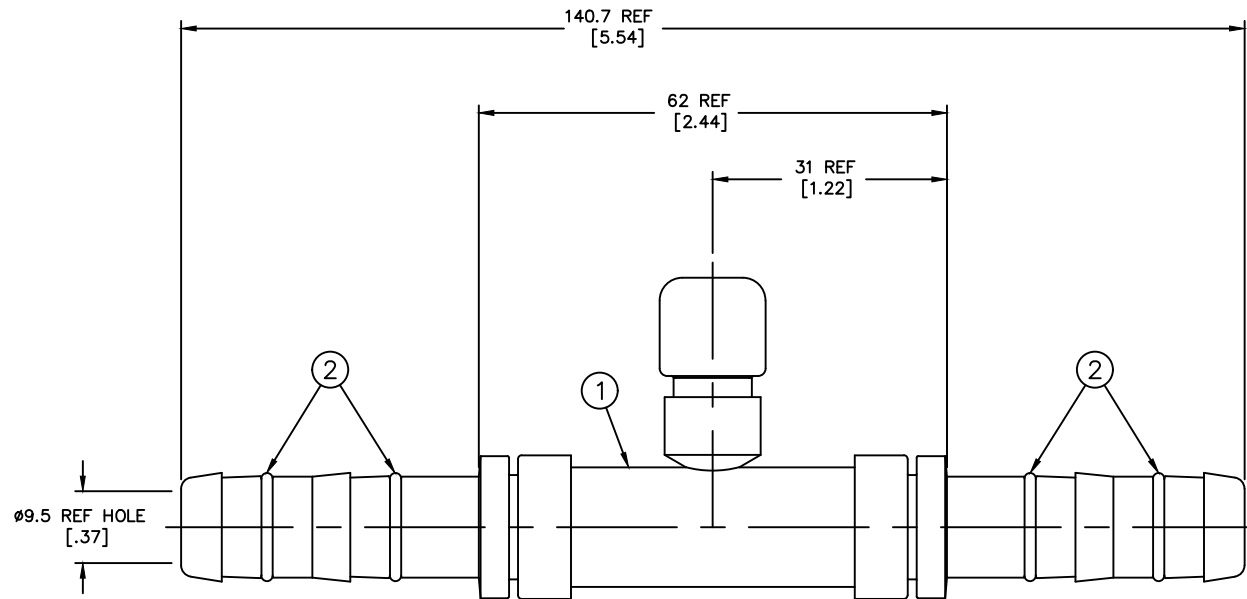


THE REPRODUCTION, DISTRIBUTION AND UTILIZATION OF THIS DOCUMENT AS WELL AS THE COMMUNICATION OF ITS CONTENTS TO OTHERS WITHOUT EXPLICIT AUTHORIZATION IS PROHIBITED. OFFENDERS WILL BE HELD LIABLE FOR THE PAYMENT OF DAMAGES. ALL RIGHTS RESERVED BY THE CLIENT OF THE GRANT OF A PATENT, UTILITY MODEL OR DESIGN. (PER ISO 10300)

REVISIONS			
REV	DESCRIPTION	DATE	APPROVED



METRIC

- 2. DIMENSIONS ARE IN MILLIMETERS [INCHES].
- 1. LUBRICATE O'RINGS AND ASSEMBLE TO NIPPLE AS SHOWN.

FJ3427-1010S	FJ2427-1010S	1F40106-10			
AEROQUIP PART NUMBER	① NIPPLE ASSEMBLY	② O'RING (4 REQ'D)			
LIST OF MATERIALS					
ITEM NO.	MATERIAL	DRAWN D. SNYDER	FLUID CONVEYANCE DIVISION DRAWING TITLE <b>FITTING ASSEMBLY</b> SPLICER WITH SWITCH PORT (HIGH SIDE), GH134 HOSE		
1	STEEL	CHECKED W.R. HYDE			
2	HNBR	APPROVED D. SHOWALTER			
		RELEASE DATE 2001-09-14			
		EN-F22173	SIZE A2	DRAWING NUMBER FJ3427-1010S	REV
		DP-1256	SCALE 2/1	DIST U	CAGE CODE 01276
		THIRD ANGLE PROJECTION			SHEET
		ITEM TYPE:			

DWG. NO. FJ3427-1010S