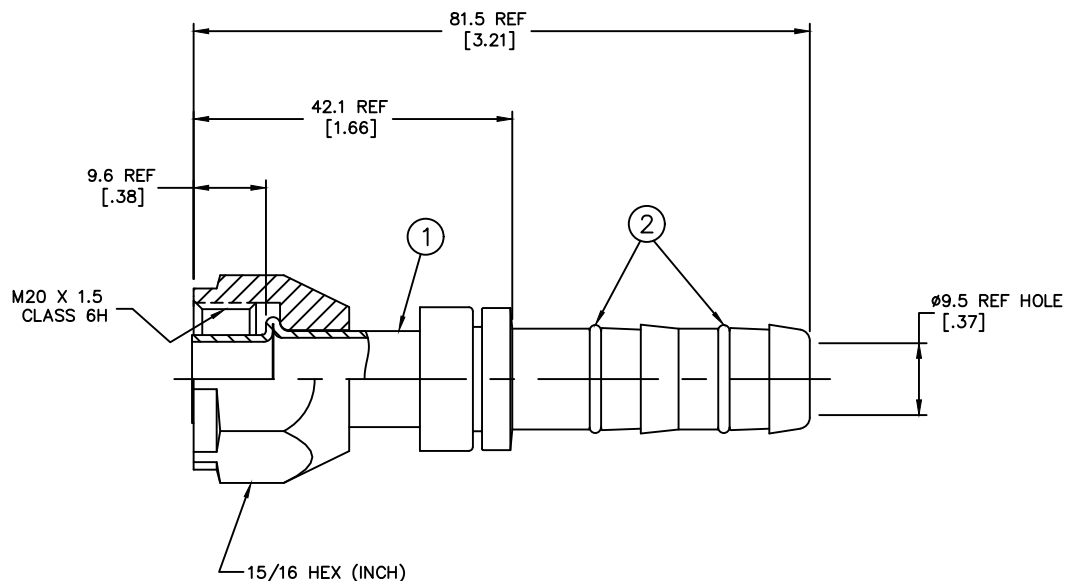


REVISIONS			
REV	DESCRIPTION	DATE	APPROVED



METRIC

2. DIMENSIONS ARE IN MILLIMETERS [INCHES].

1. PROCESS AS FOLLOWS:
(a) LUBRICATE O-RINGS, AND ASSEMBLE ON NIPPLE AS SHOWN.

FJ3408-0810S	FJ2408-0810S	1F40106-10			
AEROQUIP PART NUMBER	① NIPPLE ASSEMBLY	② O-RING (2 REQUIRED)			
LIST OF MATERIALS					
ITEM NO.	MATERIAL	DRAWN D. SNYDER	FLUID CONVEYANCE DIVISION DRAWING TITLE FITTING ASSEMBLY FEMALE O-RING PILOT (LONG), GH134 HOSE		
1	STEEL	CHECKED W.R. HYDE			
2	HNBR	APPROVED J. BAHNSEN			
		RELEASE DATE 2001-07-19			
		EN-F22092	SIZE A2	DRAWING NUMBER FJ3408-0810S	REV
		DP-1256	SCALE 2/1	DIST U	CAGE CODE 01276
		THIRD ANGLE PROJECTION	SHEET		
		ITEM TYPE:			

DWG. NO. FJ3408-0810S