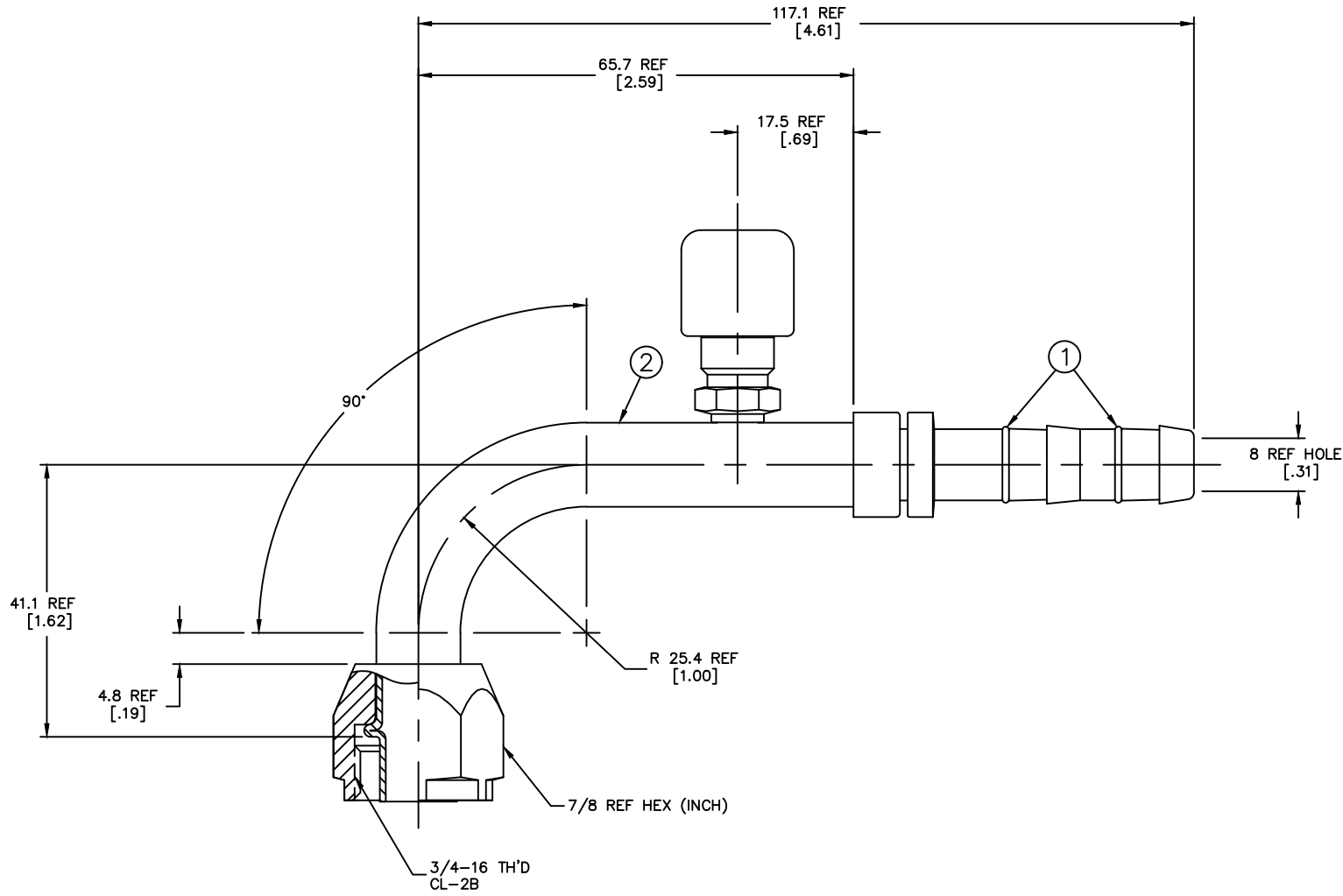


THE REPRODUCTION, DISTRIBUTION AND UTILIZATION OF THIS DOCUMENT AS WELL AS THE COMMUNICATION OF ITS CONTENTS TO OTHERS WITHOUT EXPLICIT AUTHORIZATION IS PROHIBITED. OFFENDERS WILL BE HELD LIABLE FOR THE PAYMENT OF DAMAGES. ALL RIGHT RESERVED IN THE EVENT OF THE GRANT OF A PATENT, UTILITY MODEL OR DESIGN. (PER ISO 10166)

REVISIONS			
REV	DESCRIPTION	DATE	APPROVED



METRIC

- DIMENSIONS ARE IN MILLIMETERS [INCHES].
- LUBRICATE O-RINGS AND ASSEMBLE TO NIPPLE AS SHOWN.

FJ3289-01-0808S	1F40106-08	FJ2289-01-0808S			
AEROQUIP PART NUMBER	① O-RING (2 REQ'D)	② NIPPLE ASSEMBLY			
LIST OF MATERIALS					
ITEM NO.	MATERIAL	DRAWN S. BOHN	FLUID CONVEYANCE DIVISION DRAWING TITLE <b>FITTING ASSEMBLY</b> 90° FEMALE O-RING PILOT (LONG) WITH SWITCH PORT, GH134 HOSE		
1	HNBR	CHECKED D. BAILEY			
2	STEEL	APPROVED K. LUDWIG			
		RELEASE DATE 2000-10-16			
		EN-F20748	SIZE	DRAWING NUMBER	REV
		DP-1256	A2	FJ3289-01-0808S	
		THIRD ANGLE PROJECTION	SCALE	DIST	CAGE CODE
		ITEM TYPED TSA	2:1	U	01276
			SHEET		

DWG. NO. FJ3289-01-0808S SH. REV.