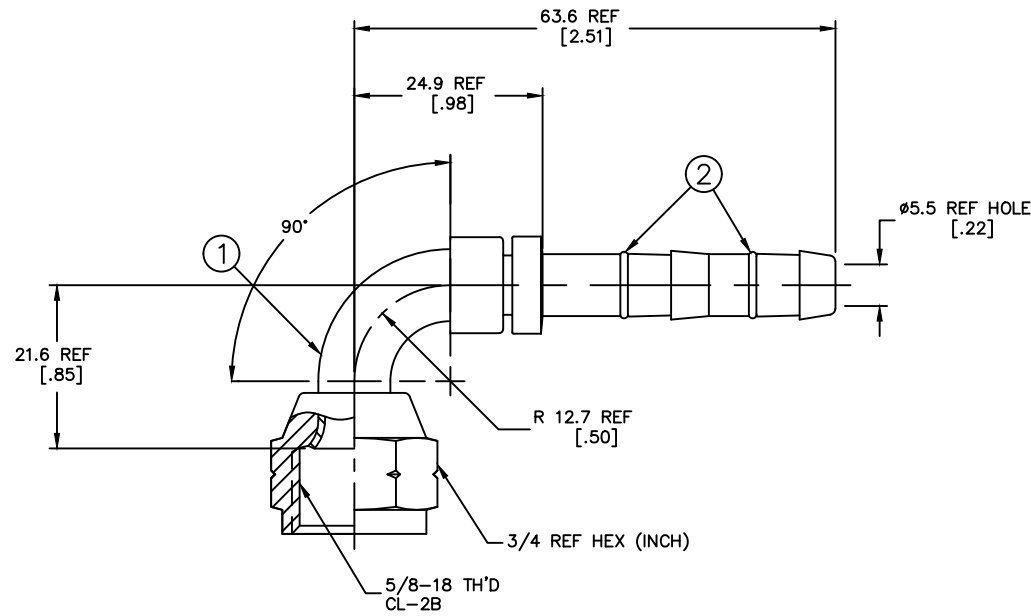


REVISIONS			
REV	DESCRIPTION	DATE	APPROVED



METRIC

- DIMENSIONS ARE IN MILLIMETERS [INCHES].
- LUBRICATE O'RINGS AND ASSEMBLE TO NIPPLE AS SHOWN.

FJ3149-01-0606S	FJ2149-01-0606S	1F40106-06			
AEROQUIP PART NUMBER	① NIPPLE ASSEMBLY	② O'RING (2 REQ'D)			
LIST OF MATERIALS					
ITEM NO.	MATERIAL	DRAWN R. KELLY	FLUID CONVEYANCE DIVISION DRAWING TITLE FITTING ASSEMBLY 90°, SAE 45° SWIVEL, GH134 HOSE SIZE A2 DRAWING NUMBER FJ3149-01-0606S SCALE 2/1 DIST U CAGE CODE 01276 SHEET		
1	STEEL	CHECKED D. BAILEY			
2	HNBR	APPROVED D. BAILEY			
		RELEASE DATE 2000-07-31			
		EN-F20173 DP-1256			
		THIRD ANGLE PROJECTION			
ITEM TYPE: D I F A					

DWG. NO. FJ3149-01-0606S SH. REV.