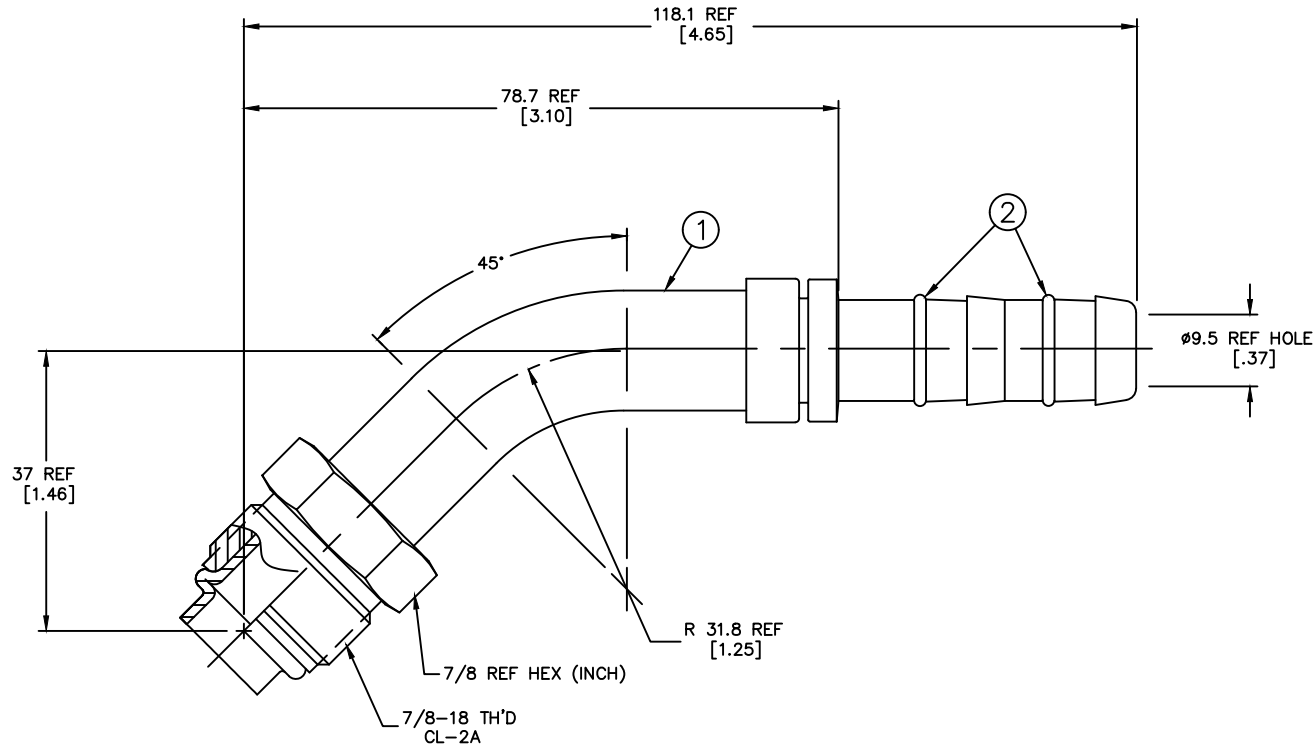


REVISIONS			
REV	DESCRIPTION	DATE	APPROVED



- 2. DIMENSIONS ARE IN MILLIMETERS [INCHES].
- 1. LUBRICATE O'RINGS AND ASSEMBLE TO NIPPLE AS SHOWN.

FJ3116-02-1010S	FJ2116-02-1010S	1F40106-10		
AEROQUIP PART NUMBER	① NIPPLE ASSEMBLY	② O'RING (2 REQ'D)		
LIST OF MATERIALS				
ITEM NO.	MATERIAL	DRAWN R. KELLY	FLUID CONVEYANCE DIVISION	
1	STEEL	CHECKED R. D. WEBB	DRAWING TITLE FITTING ASSEMBLY 45° MALE O'RING PILOT (SHORT), GH134 HOSE	
2	HNBR	APPROVED R.D.GARRETT		
		RELEASE DATE 2000-07-17		
		EN-F20134 DP-1256		
		THIRD ANGLE PROJECTION	SIZE A2	DRAWING NUMBER FJ3116-02-1010S
		ITEM TYPED TSA	SCALE 2/1	DIST U CAGE CODE 01276 SHEET

DWG. NO. FJ3116-02-1010S SH. REV.