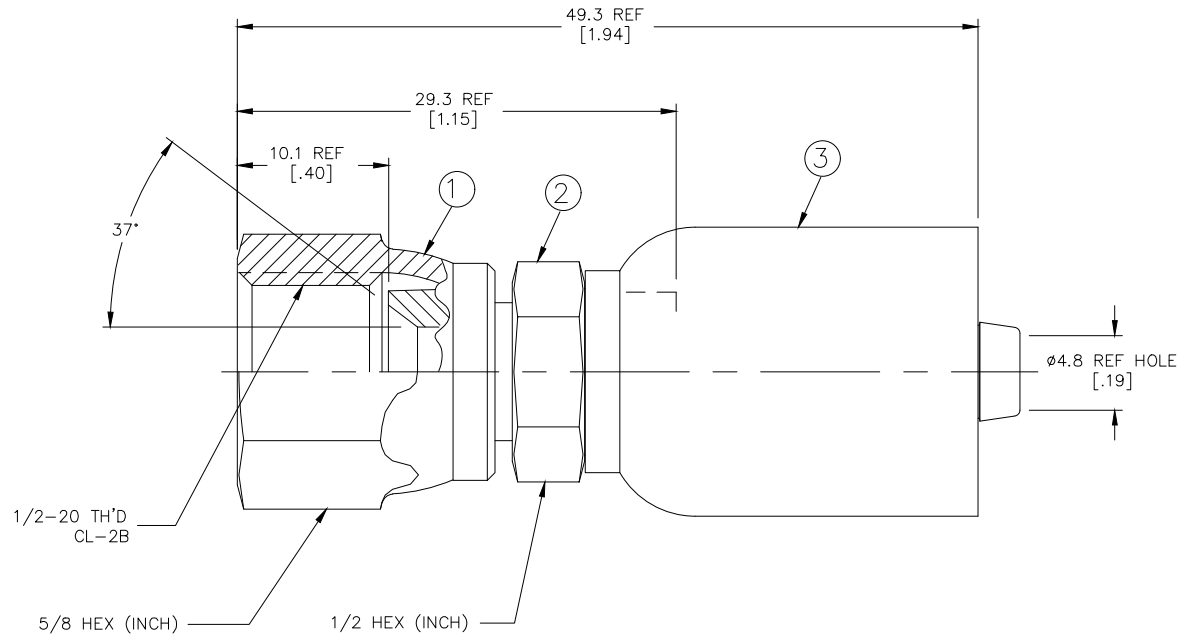


REVISIONS			
REV	DESCRIPTION	DATE	APPROVED
C	REACTIVATED AS PER REV "A" TO SHOW AEROQUIP DESIGN	2006-05-12 RHJ/KBM	EN-F30034 DP-1299



METRIC

3. DIMENSIONS ARE IN MILLIMETERS [INCHES].
2. THERE SHOULD BE NO SOCKET MOVEMENT ON THE NIPPLE AFTER CRIMPING.
1. PROCESS AS FOLLOWS:
 - (a) CRIMP NUT PER ACES 2813.
 - (b) CRIMP SOCKET PER ACES 2409P17.

FJ3114-0505S	210204-5S	FW1231-0505S	FW1186-05S		
PART NUMBER	① NUT	② NIPPLE	③ SOCKET		
LIST OF MATERIALS					
ITEM NO.	MATERIAL	DRAWN	FLUID CONVEYANCE DIVISION		
1	STEEL	LaTanya Wraggs			
2	STEEL	R. D. WEBB			
3	STEEL	R.D.GARRETT			
		APPROVED	DRAWING TITLE		
		RELEASE DATE	FITTING ASSEMBLY		
		2000-05-23	SAE 37° SWIVEL, 1503 HOSE		
		EN-F19882	SIZE	DRAWING NUMBER	REV
		DP-1290	A2	FJ3114-0505S	C
		THIRD ANGLE PROJECTION	SCALE	DIST	CAGE CODE
			4/1	U	01276
		ITEM TYPE: EDEA	SHEET		