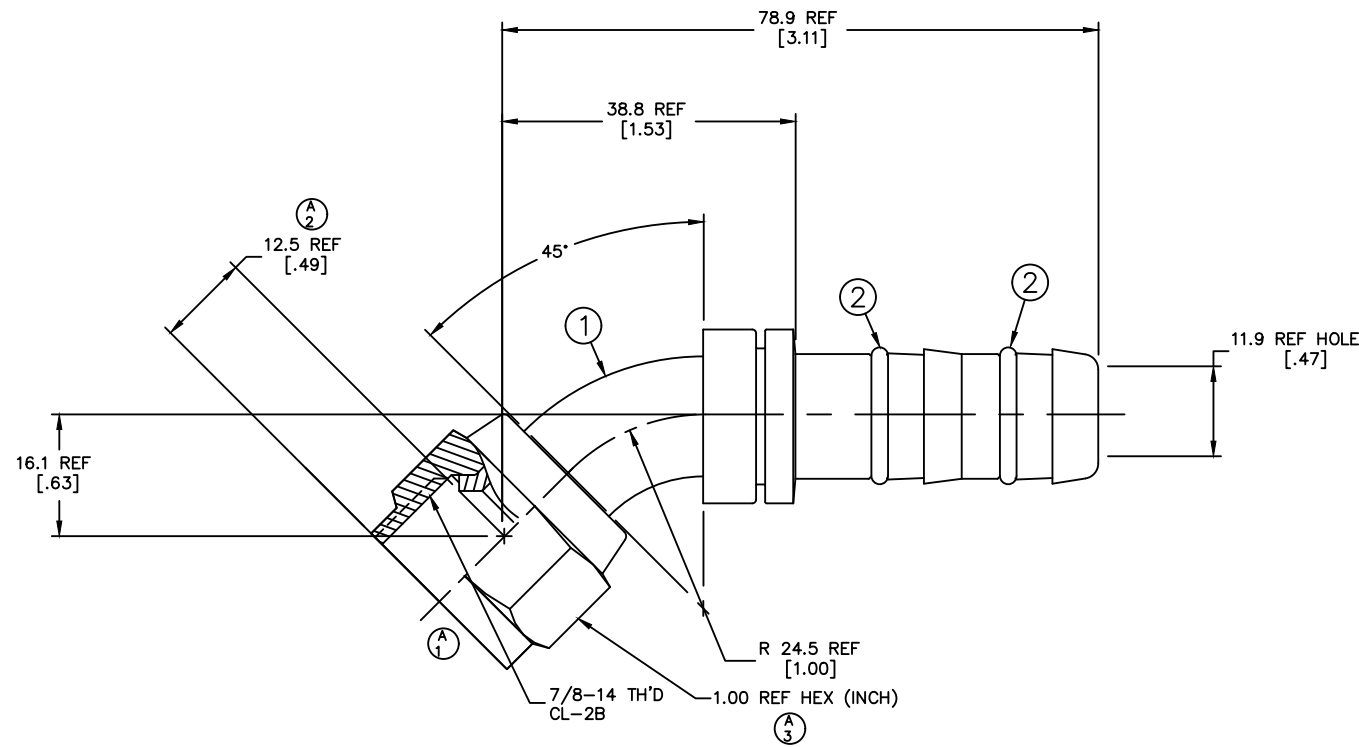


REVISIONS			
REV	DESCRIPTION	DATE	APPROVED
A	(1) REMOVED 45° DIMENSION (2) 12.5 REF [.49] WAS 16.1 REF [.63] (3) 1.00 REF HEX (INCH) WAS 1.06 REF HEX (INCH)	2000-01-27 JJB	EN-F19668 DP-1258



METRIC

- 2. DIMENSIONS ARE IN MILLIMETERS [INCHES].
- 1. LUBRICATE O-RINGS AND ASSEMBLE ON NIPPLE AS SHOWN.

FJ3059-06-1012S	FJ2059-06-1012S	1F40106-12			
AEROQUIP PART NUMBER	① NIPPLE ASSEMBLY	② O-RING (2 REQUIRED)			
LIST OF MATERIALS					
ITEM NO.	MATERIAL	DRAWN	DRAWING TITLE		
1	STEEL	I. HARTFORD	FLUID CONVEYANCE DIVISION DRAWING TITLE FITTING ASSEMBLY 45°, SAE 45° SWIVEL, GH134 HOSE		
2	HNBR	R. D. GARRETT			
		CHECKED R. D. GARRETT	SIZE	DRAWING NUMBER	REV
		APPROVED R. D. GARRETT	A2	FJ3059-06-1012S	A
		RELEASE DATE 1999-12-21	SCALE	DIST	CAGE CODE
		EN-F19523 DP-1256	2/1	U	01276
		THIRD ANGLE PROJECTION	SHEET NO		
		ITEM TYPE: D T F A			

DWG. NO. FJ3059-06-1012S REV. A SH. A