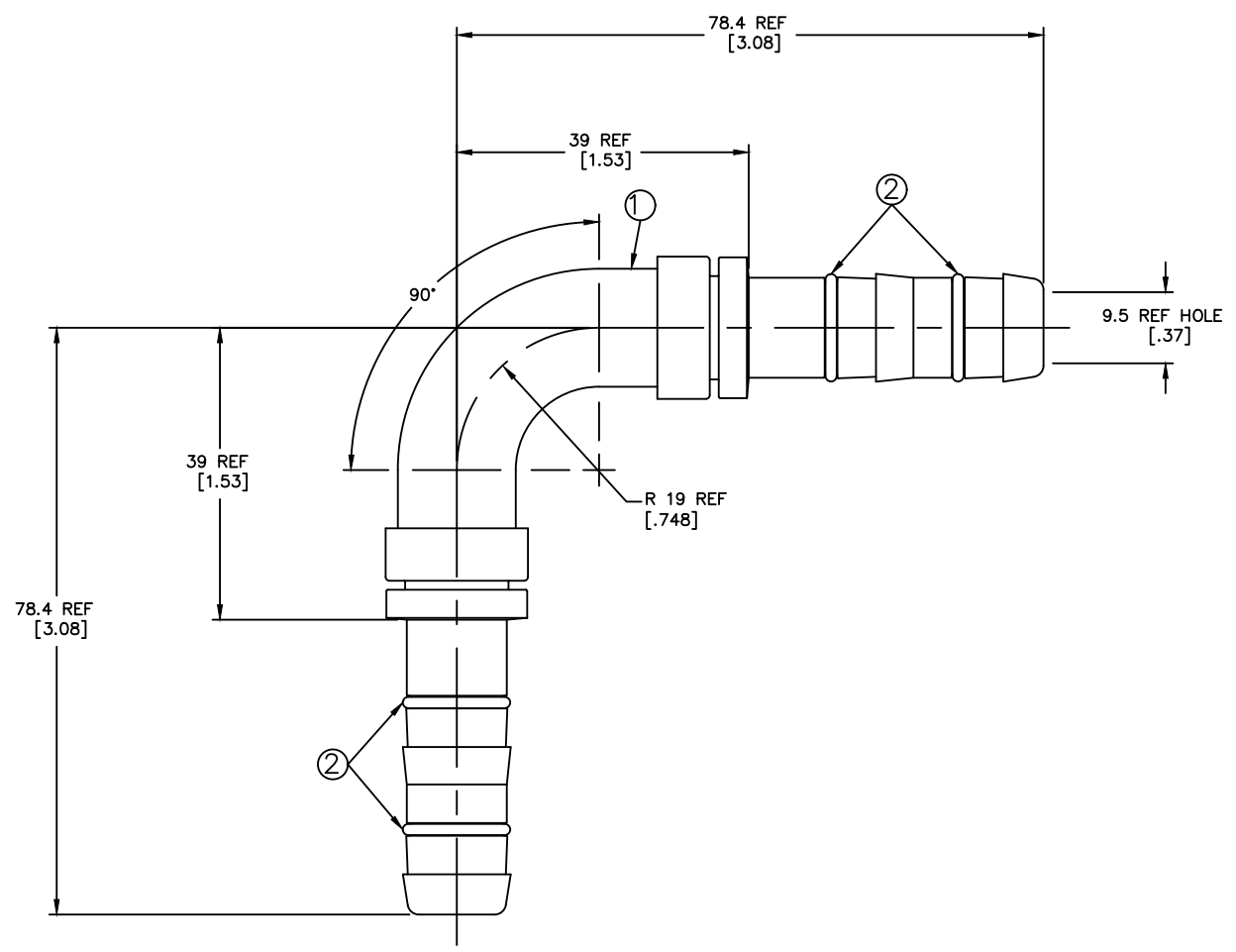


THE REPRODUCTION, DISTRIBUTION AND UTILIZATION OF THIS DOCUMENT AS WELL AS THE COMMUNICATION OF ITS CONTENTS TO OTHERS WITHOUT EXPRESS AUTHORIZATION IS PROHIBITED. OPERATORS WILL BE HELD LIABLE FOR THE EXTENT OF ANY DAMAGE. ALL RIGHT RESERVED BY THE OWNER OF A PATENT, UTILITY MODEL OR DESIGN. (PER ISO 15926)

REVISIONS			
REV	DESCRIPTION	DATE	APPROVED



METRIC

- 2. DIMENSIONS ARE IN MILLIMETERS [INCHES].
- 1. LUBRICATE O-RING AND ASSEMBLE TO NIPPLE AS SHOWN.

FJ3058-03-1010S	FJ2058-03-1010S	1F40106-10		
AEROQUIP PART NUMBER	① NIPPLE ASSEMBLY	② O-RING (4 REQ'D)		
LIST OF MATERIALS				
ITEM NO.	MATERIAL	DRAWN W.R.HYDE	FLUID CONVEYANCE DIVISION DRAWING TITLE <b>FITTING ASSEMBLY</b> 90°, HOSE SPLICER, GH134 HOSE	
1	STEEL	CHECKED J. BAHNSEN		
2	HNBR	APPROVED J. BAHNSEN		
		RELEASE DATE 2000-01-11		
		EN-F19522	SIZE A2	DRAWING NUMBER FJ3058-03-1010S
		DP-1256	SCALE	DIST U
		THIRD ANGLE PROJECTION	CAGE CODE	01276
		ITEM TYPE: TZA	SHEET NO	

DWG. NO. FJ3058-03-1010S