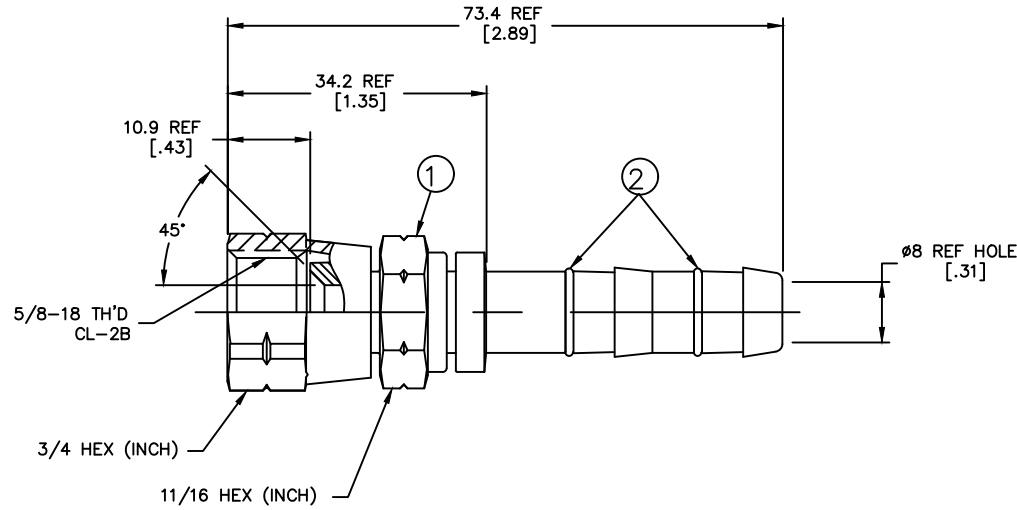


REVISIONS			
REV	DESCRIPTION	DATE	APPROVED
A	(1) WAS FJ2057-04-0608S	2001-01-03 DB	EN-F21308 DP-1256
B	(1) WAS "FJ2057-04-0608S"	2001-04-09 A.L./W.H.	EN-F21400 DP-24901



METRIC

2. DIMENSIONS ARE IN MILLIMETERS [INCHES].

1. PROCESS AS FOLLOWS:  
(a) LUBRICATE O-RINGS AND ASSEMBLE AS SHOWN.

AEROQUIP PART NUMBER		NIPPLE ASSEMBLY		O'RINGS (2 REQ'D)	
FJ3057-02-0608S	FJ2057-02-0608S	1F40106-08			
LIST OF MATERIALS					
ITEM NO.	MATERIAL	DRAWN W.R.HYDE CHECKED D. BAILEY APPROVED G.CLARK RELEASE DATE 2000-09-01 EN-F20482 DP-1256 THIRD ANGLE PROJECTION			
1	STEEL	FLUID CONVEYANCE DIVISION DRAWING TITLE FITTING ASSEMBLY SAE 45° SWIVEL, GH134 HOSE SIZE A2 DRAWING NUMBER FJ3057-02-0608S REV B			
2	HNBR				
ITEM TYPE:		SCALE 2/1	DIST U	CAGE CODE 01276	SHEET

DWG. NO. FJ3057-02-0608S REV. B SH.