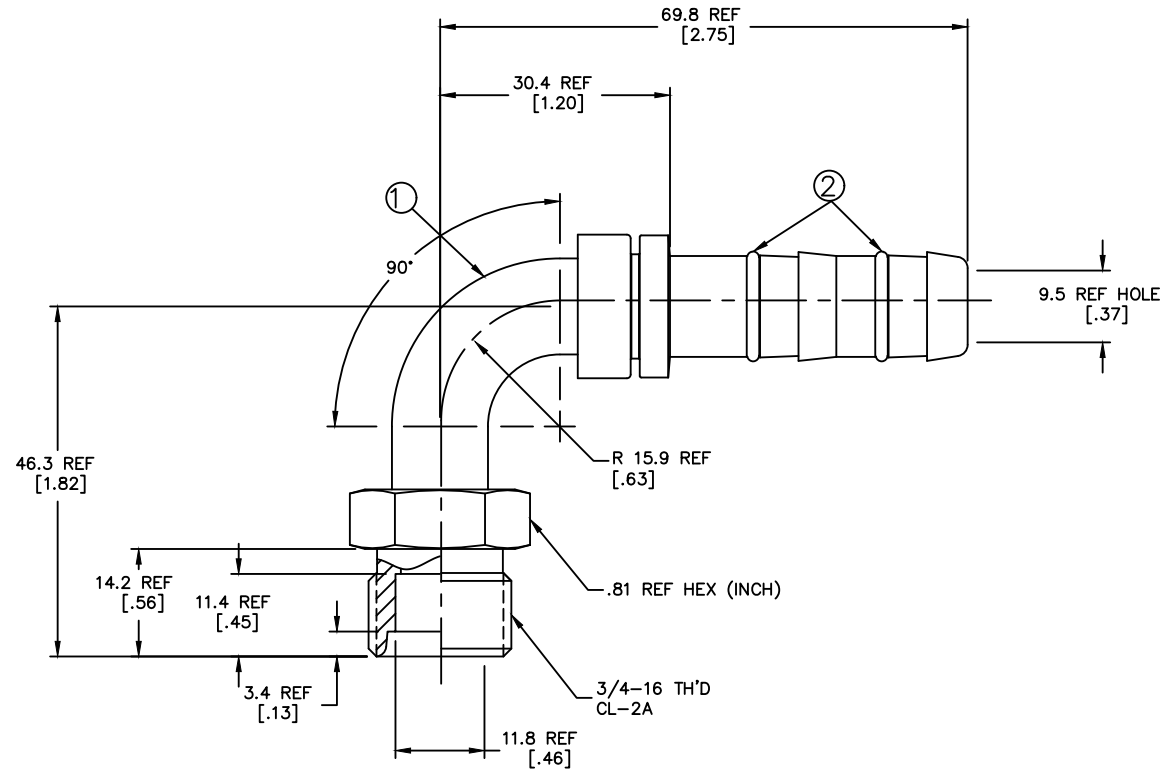


REVISIONS			
REV	DESCRIPTION	DATE	APPROVED
A	1) WAS 1F40106-08	2005-02-03 BAT/WRH	EN-F27296 DP-24901



METRIC

2. DIMENSIONS ARE IN MILLIMETERS [INCHES].
1. LUBRICATE O'RINGS AND ASSEMBLE TO NIPPLE AS SHOWN.

LIST OF MATERIALS			
ITEM NO.	MATERIAL	QUANTITY	DESCRIPTION
1	STEEL	1	NIPPLE ASSEMBLY
2	HNBR	2	O'RING (2 REQ'D)

FJ3056-04-0810S	FJ2056-04-0810S	1F40106-10	
AEROQUIP PART NUMBER	①	②	
DRAWN: W.R.HYDE CHECKED: B.THOMAS APPROVED: B.THOMAS RELEASE DATE: 2001-11-27 EN-F22690 DP-1256 THIRD ANGLE PROJECTION			
DRAWING TITLE: FITTING ASSEMBLY 90° MALE O'RING PILOT (LONG), GH134 HOSE		SIZE: A2	DRAWING NUMBER: FJ3056-04-0810S
SCALE: 2/1		DIST: U	CAGE CODE: 01276
ITEM TYPE:		SHEET NO:	REV: A

DWG. NO. FJ3056-04-0810S REV. A