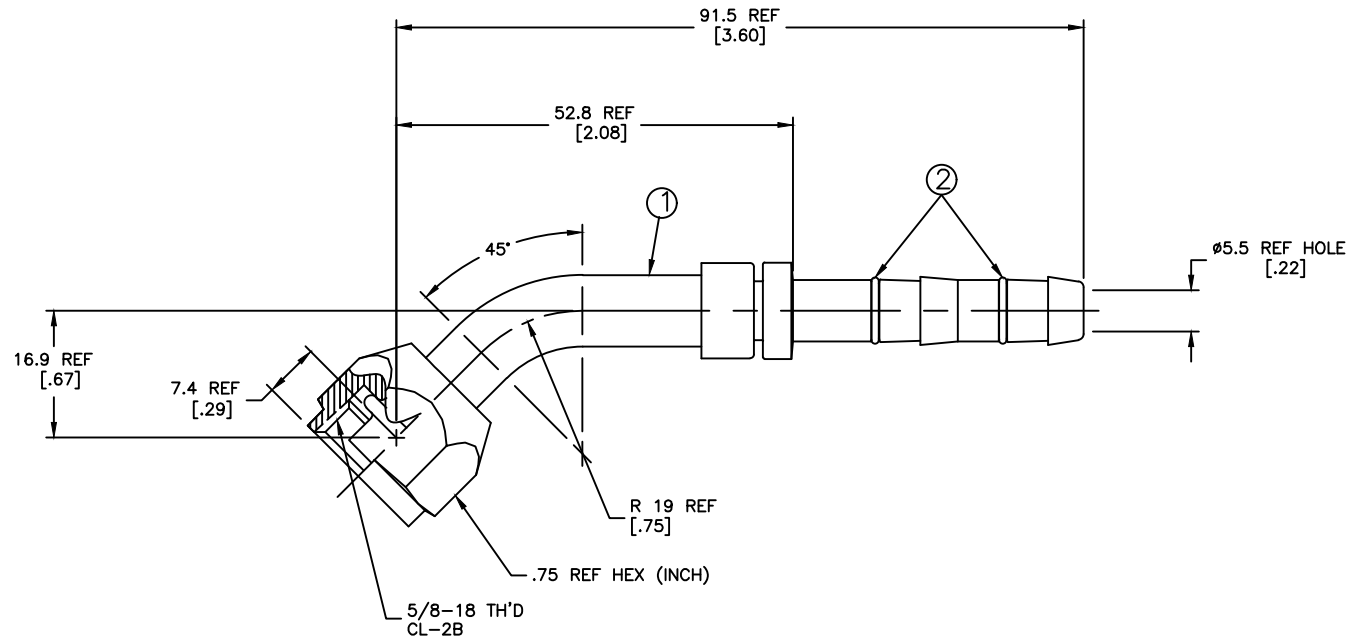


REVISIONS			
REV	DESCRIPTION	DATE	APPROVED
A	1) ADDED NEW PART NO. "FCE4322"	2020-08-24 AAG	CO-0207135
B	1) FBE4322 WAS FCE4322.	2020-09-29 AAG	CO-0208943



METRIC

① ②

FBE4322	FJ3055-01-0606S	FJ2055-01-0606S	1F40106-06		
HIGH PERFORMANCE PART NUMBER	PART NUMBER	① NIPPLE ASSEMBLY	② O'RING (2 REQ'D)		
LIST OF MATERIALS					
ITEM NO.	MATERIAL	DRAWN W.R.HYDE	DRAWING TITLE		
1	STEEL	CHECKED R.D.GARRETT	FITTING ASSEMBLY		
2	HNBR	APPROVED R.D.GARRETT	45°, FEMALE O'RING PILOT (SHORT),		
		RELEASE DATE 1999-12-19	GH134 HOSE		
		EN-F19520	SIZE A2	DRAWING NUMBER FJ3055-01-0606S	REV B
		DP-1256	SCALE 2/1	DIST U	CAGE CODE 01276
		THIRD ANGLE PROJECTION		SHEET 1	
<small>THE REPRODUCTION, DISTRIBUTION AND UTILIZATION OF THIS DOCUMENT, AS WELL AS THE COMMUNICATION OF ITS CONTENTS TO OTHERS WITHOUT EXPLICIT AUTHORIZATION IS PROHIBITED. OFFENDERS WILL BE HELD LIABLE FOR THE PAYMENT OF DAMAGES. ALL RIGHTS RESERVED IN THE EVENT OF THE GRANT OF A PATENT, UTILITY MODEL OR DESIGN (PER ISO 18018)</small>					

2. DIMENSIONS ARE IN MILLIMETERS [INCHES].

1. LUBRICATE O'RINGS AND ASSEMBLE TO NIPPLE AS SHOWN.