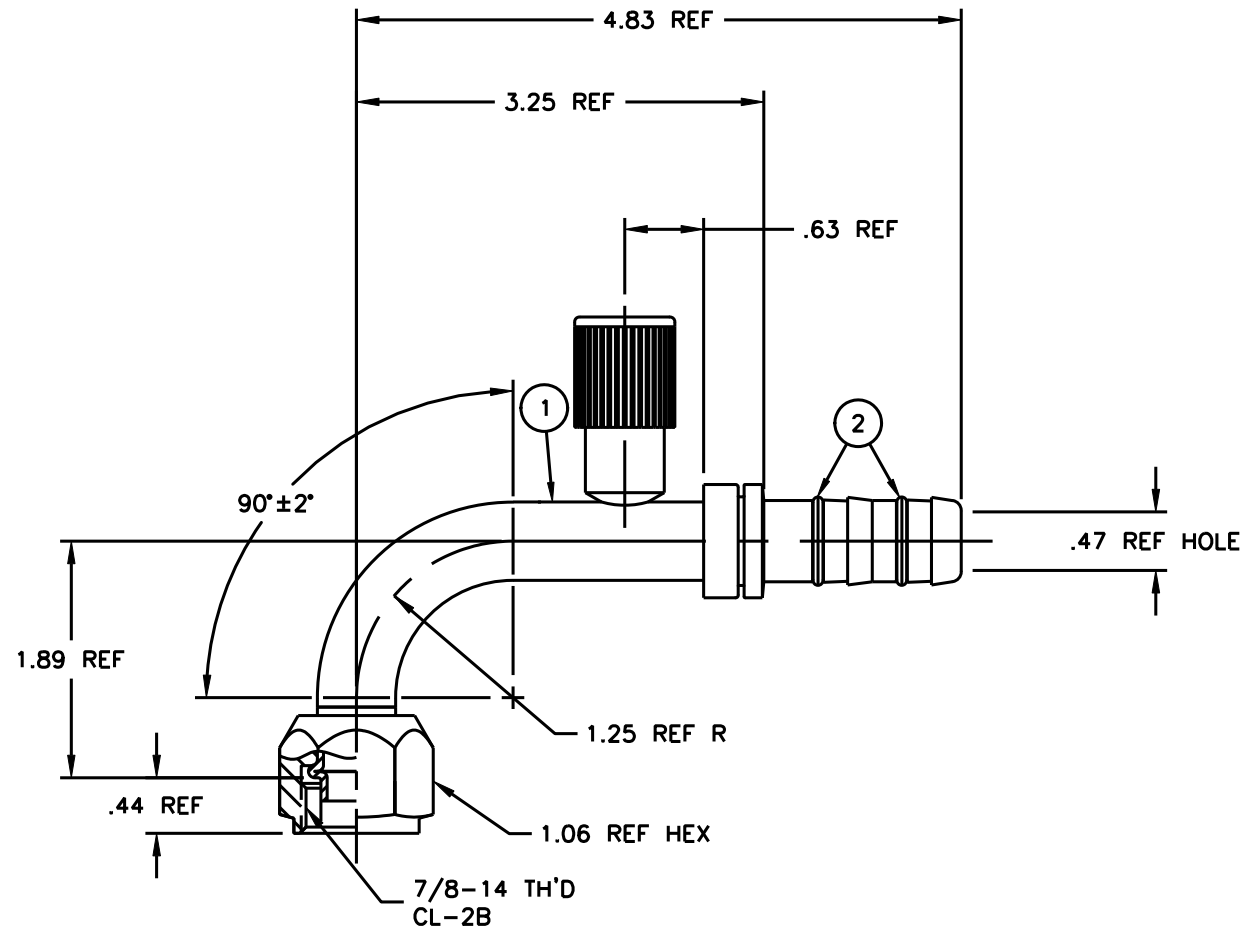


THE REPRODUCTION, DISTRIBUTION AND UTILIZATION OF THIS DOCUMENT, AS WELL AS THE COMMUNICATION OF ITS CONTENTS TO OTHERS WITHOUT EXPLICIT AUTHORIZATION IS PROHIBITED. OFFENDERS WILL BE HELD LIABLE FOR THE PAYMENT OF DAMAGES. ALL RIGHTS RESERVED IN THE EVENT OF THE GRANT OF A PATENT, UTILITY MODEL OR DESIGN. (PER ISO 18016)

REVISIONS			
REV	DESCRIPTION	DATE	APPROVED



FN

REV. SH. DWG. NO. FJ3012-01-1012S

FJ3012-01-1012S	FJ2012-01-1012S	1F40106-12			
AEROQUIP PART NUMBER	① NIPPLE ASSEMBLY	② O'RING (2-REQ'D)			
LIST OF MATERIALS					
ITEM NO.	MATERIAL	DRAWN	Danfoss FLUID CONVEYANCE DIVISION		
1	STEEL	T. HARTFORD	DRAWING TITLE FITTING ASSEMBLY 90°, SAE FEMALE O'RING PILOT (SHORT) WITH LOW SIDE CHARGE PORT, GH134 HOSE		
2	HNBR	J. BAHNSEN			
		J. GRAU	SIZE	DRAWING NUMBER	REV
		RELEASE DATE	A2	FJ3012-01-1012	
		1999-09-09	SCALE	DIST	CAGE CODE
		EN-F19222	1/1	U	01276
		DP-1256			SHEET NO
		THIRD ANGLE PROJECTION			
		ITEM TYPE: D TSA			

1. PROCESS AS FOLLOWS:
(a) LUBRICATE O'RINGS AND ASSEMBLE TO NIPPLE AS SHOWN.