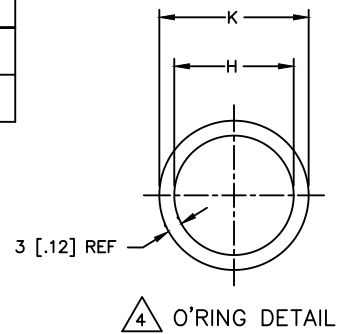
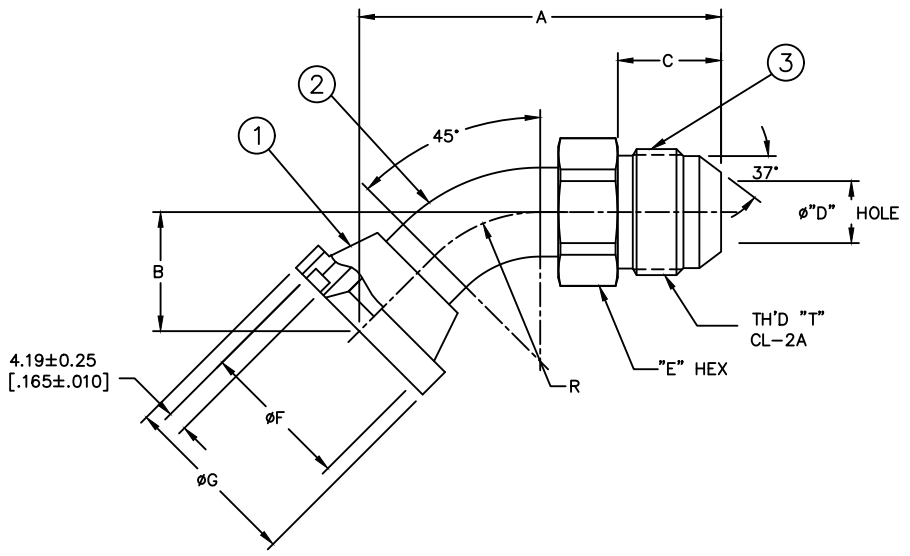


DANFOSS PART NUMBER	WEATHERHEAD PART NUMBER	TH'D "T"	A ±1.6 [±.062]	B ±1.6 [±.062]	C REF	D REF	E REF [INCH]	F	G REF	H REF	K REF	R REF	PROCESS PER NOTE
FF5539-1212S	64512	1 1/16-12	79.8 [3.140]	25.9 [1.020]	21.8 [.86]	14.2 [.56]	1 1/8	31.81±0.06 [1.2525±.0025]	41.1 [1.62]	25.4 [1.00]	31.8 [1.25]	31.8 [1.25]	△ ①
FF5539-1612S	64512X16	1 1/16-12	79.8 [3.140]	25.9 [1.020]	21.8 [.86]	14.2 [.56]	1 1/8	39.69±0.06 [1.5625±.0025]	47.8 [1.88]	33.3 [1.31]	39.6 [1.56]	31.8 [1.25]	△ ②
FF5539-1616S	64516	1 5/16-12	91.4 [3.597]	26.9 [1.060]	23.1 [.91]	19.3 [.76]	1 3/8	39.69±0.06 [1.5625±.0025]	47.8 [1.88]	33.3 [1.31]	39.6 [1.56]	38.1 [1.50]	△ ②
FF5539-2016S	64516X20	1 5/16-12	91.4 [3.597]	26.9 [1.060]	23.1 [.91]	19.3 [.76]	1 3/8	44.51±0.06 [1.7525±.0025]	53.8 [2.12]	38.1 [1.50]	44.4 [1.75]	38.1 [1.50]	△ ②
FF5539-2020S	64520	1 5/8-12	98 [3.858]	29.2 [1.150]	24.4 [.96]	23.9 [.94]	1 11/16	44.51±0.06 [1.7525±.0025]	53.8 [2.12]	38.1 [1.50]	44.4 [1.75]	44.4 [1.75]	△ ③
FF5539-2416S	64516X24	1 5/16-12	103 [4.054]	31.8 [1.250]	23.1 [.91]	19.3 [.76]	1 3/8	53.85±0.12 [2.120±.005]	63.5 [2.50]	47.8 [1.88]	53.8 [2.12]	38.1 [1.50]	△ ②
FF5539-2420S	64520X24	1 5/8-12	98 [3.858]	29.2 [1.150]	24.4 [.96]	23.9 [.94]	1 11/16	53.85±0.12 [2.120±.005]	63.5 [2.50]	47.8 [1.88]	53.8 [2.12]	44.4 [1.75]	△ ③
FF5539-2424S	64524	1 7/8-12	117.1 [4.612]	35.8 [1.410]	27.4 [1.08]	28.4 [1.12]	2	53.85±0.12 [2.120±.005]	63.5 [2.50]	47.8 [1.88]	53.8 [2.12]	50.8 [2.00]	△ ③

REVISIONS			
REV	DESCRIPTION	DATE	APPROVED
H	REDRAWN, UPDATED TO DANFOSS FORMAT AND DIMENSION STYLE.	2012-03-20 HLV/DHS	0067505-ECO DP-1299
J	1) ADDED PART #FF5539-1212S.	2018-05-17 VSP	CO-0165535
K	1) FINISH WAS ZINC PLATE PER ACES 16P47	2018-12-21 ARK/PSW	CO-0179211



METRIC

5. SPLIT FLANGE FC3425-SIZE-217 USED ON THIS ASSEMBLY. MUST BE ORDERED SEPARATELY. (2 REQUIRED)

△ O-RING SHOWN FOR REFERENCE ONLY. SUPPLIED BUT NOT FURNISHED WITH ASSEMBLY

△ PROCESS AS FOLLOWS:
(a) BRAZE PER ACES 67P13.
(b) ZINC PLATE PER ES 2751D8. ①

△ PROCESS AS FOLLOWS:
(a) BRAZE PER ACES 67P2.
(b) ZINC PLATE PER ES 2751D8. ①

1. DIMENSIONS ARE IN MILLIMETERS [INCHES].

FF5539-2424S	64524	FC1102-2424S	FC1106-24-501S	FF1505-2424S	
FF5539-2420S	64520X24	FC1102-2420S	FC1106-20-501S	FF1505-2020S	
FF5539-2416S	64516X24	FC1102-2416S	FC1106-16-502S	FF1505-1616S	
FF5539-2020S	64520	FC1102-2020S	FC1106-20-501S	FF1505-2020S	
FF5539-2016S	64516X20	FC1102-2016S	FC1106-16-501S	FF1505-1616S	
FF5539-1616S	64516	FC1102-1616S	FC1106-16-501S	FF1505-1616S	
FF5539-1612S	64512X16	FC1102-1612S	FC1106-12-001S	FF1505-1212S	
FF5539-1212S	64512	FC1102-1212S	FC1106-12-001S	FF1505-1212S	
AEROQUIP PART NUMBER	WEATHERHEAD PART NUMBER	① SHOULDER	② ELBOW	③ ADAPTER	

LIST OF MATERIALS

ITEM NO.	MATERIAL
1	STEEL
2	STEEL
3	STEEL

DRAWN H. VENGURLEKAR	 FLUID CONVEYANCE DIVISION DRAWING TITLE ELBOW ASSEMBLY 45° SPLIT FLANGE TYPE (CODE 62) TO SAE 37° MALE FLARE		
CHECKED D. SHEWALE			
APPROVED J. SNYDER			
RELEASE DATE 2012-03-20 0067505-ECO DP-1299			
THIRD ANGLE PROJECTION	SIZE A2	DRAWING NUMBER FF5539-S	REV K
SCALE NONE	DIST U	CAGE CODE 01276	SHEET 1

THE REPRODUCTION, DISTRIBUTION AND UTILIZATION OF THIS DOCUMENT AS WELL AS THE COMMUNICATION OF ITS CONTENTS TO OTHERS WITHOUT EXPLICIT AUTHORIZATION IS PROHIBITED. OFFENDERS WILL BE HELD LIABLE FOR THE PAYMENT OF DAMAGES. ALL RIGHT RESERVED IN THE EVENT OF THE GRANT OF A PATENT, UTILITY MODEL OR DESIGN. (PER ISO 16016)