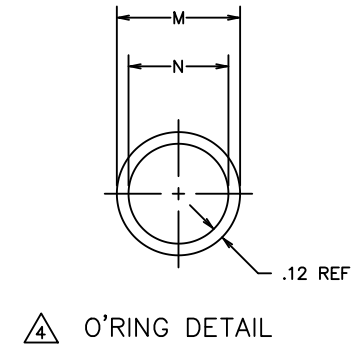
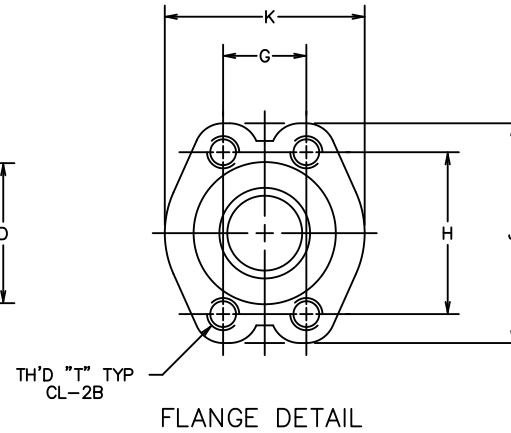
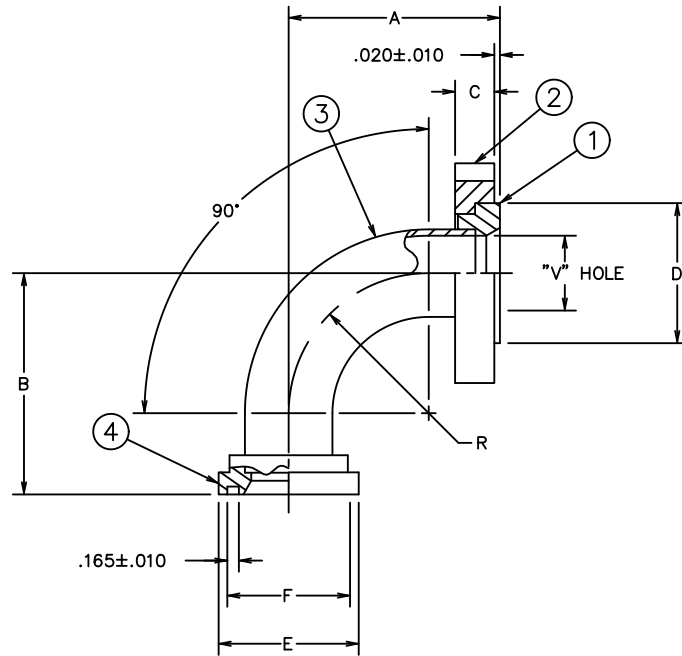


AEROQUIP PART NUMBER	TH'D "T" TYP	A ±.094	B ±.094	C REF	D REF	E REF	F	G REF	H REF	J REF	K REF	M REF	N REF	R REF	V REF	PROCESS PER NOTE
FF5321-1616S	3/8-16	2.375	2.375	.62	1.75	1.75	1.5625±.0025	1.03	2.06	2.75	2.29	1.56	1.31	1.50	.76	▲
FF5321-2020S	7/16-14	2.625	2.625	.56	2.00	2.00	1.7525±.0025	1.19	2.31	3.12	2.85	1.75	1.50	1.75	1.01	▲
FF5321-2424S	1/2-13	3.125	3.125	.62	2.38	2.38	2.120±.005	1.41	2.75	3.69	3.23	2.12	1.88	2.00	1.19	▲
FF5321-3232S	1/2-13	4.500	4.500	.62	2.81	2.81	2.495±.005	1.69	3.06	4.00	3.79	2.50	2.25	3.00	1.62	▲

REVISIONS			
REV.	DESCRIPTION	DATE	APPROVED
M	REDRAWN ON CAD - LAST REV. "L" (1) 449-74446-SIZE WAS "107-74446-SIZE" (2).81 WAS .82, 1.01 WAS 1.05, 1.19 WAS 1.27 AND 1.69 WAS 1.72	5-5-92	EN-F12970 ER-F12970
N	(1) FC1109-16-501S WAS FC1109-16-001S (2) .76 WAS .81	1-26-96 R.D.G.	EN-F16193 DP-1039
P	(1) FC1109-32-501S WAS FC1109-32-001S (2) 1.62 WAS 1.69	10-2-96 R.D.G.	EN-F16693 DP-24771
R	1) FINISH WAS ZINC PLATE PER ACES 16P47	2018-12-21 ARK/PSW	CO-0179211

M
2
N
2
P
2



FF5321-3232S	FC1131-3232S	FC3218-32-6	FC1109-32-501S	FC1101-3232S
FF5321-2424S	FC1131-2424S	FC3218-24-6	FC1109-24-001S	FC1101-2424S
FF5321-2020S	FC1131-2020S	FC3218-20-6	FC1109-20-001S	FC1101-2020S
FF5321-1616S	FC1131-1616S	FC3218-16-6	FC1109-16-501S	FC1101-1616S
AEROQUIP PART NUMBER	① SHOULDER	② FLANGE	③ ELBOW	④ SHOULDER

LIST OF MATERIALS

ITEM NO.	MATERIAL
1	STEEL
2	MALLEABLE IRON
3	STEEL
4	STEEL

DRAWN R.D. GARRETT CHECKED R.D. GARRETT APPROVED R.D. GARRETT RELEASE DATE 1992-05-05 EN-F12970 ER-F12970 THIRD ANGLE PROJECTION	FLUID CONVEYANCE DIVISION DRAWING TITLE ELBOW ASSEMBLY 90°, SPLIT FLANGE TYPE (CODE 61) TO SAE 4 BOLT FLANGE (CODE 61)
SIZE A2	DRAWING NUMBER FF5321-S
SCALE -	DIST U CAGE CODE 01276 SHEET 1

THE REPRODUCTION, DISTRIBUTION AND UTILIZATION OF THIS DOCUMENT AS WELL AS THE COMMUNICATION OF ITS CONTENTS TO OTHERS WITHOUT EXPLICIT AUTHORIZATION IS PROHIBITED. OFFENDERS WILL BE HELD LIABLE FOR THE PAYMENT OF DAMAGES. ALL RIGHT RESERVED IN THE EVENT OF THE GRANT OF A PATENT, UTILITY MODEL OR DESIGN. (PER ISO 16016)

- ▲ 4. O'RING SHOWN FOR REFERENCE ONLY. SUPPLIED BUT NOT FURNISHED WITH ASSEMBLY.
3. SPLIT FLANGE 449-74446-SIZE USED ON THIS ASSEMBLY MUST BE ORDERED SEPARATELY. (2 REQUIRED) (M)
- ▲ 2. PROCESS AS FOLLOWS:
 (a) ASSEMBLE FLANGE.
 (b) BRAZE PER ACES 67P2.
 (c) ZINC PLATE PER ES 2751DB. (R1)
- ▲ 1. PROCESS AS FOLLOWS:
 (a) ASSEMBLE FLANGE.
 (b) BRAZE PER ACES 67P13.
 (c) ZINC PLATE PER ES 2751DB. (R1)