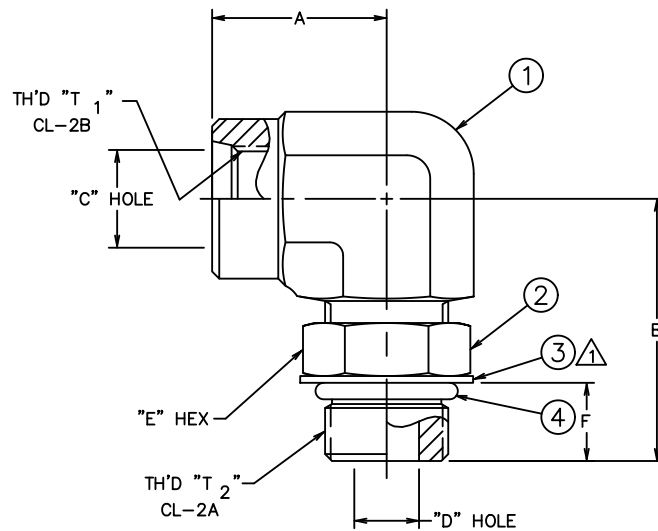


PART NUMBER	TH'D "T" 1	TH'D "T" 2	A REF	B REF	C REF	D REF	E REF	F MIN
FF2591-0404S	7/16-20	7/16-20	.85	1.26	.39	.17	.56	.368
FF2591-2024S	1 5/8-12	1 7/8-12	2.00	2.89	1.50	1.31	2.12	.636

REVISIONS			
REV.	DESCRIPTION	DATE	APPROVED
A	(1) ADDED FF2591-2024S	2004-11-24 RW	EN-F27400 RPS-6610

①



①

FF2591-2024S	FF2075-2024S	210295-24S	222013-24S	22617-24
FF2591-0404S	FF2075-0404S	210295-4S	222013-4S	22617-4
PART NUMBER	① ADAPTER BODY	② JAM NUT	③ WASHER	④ O'RING

LIST OF MATERIALS

ITEM NO.	MATERIAL	DRAWN	FLUID CONVEYANCE DIVISION	
1	STEEL	S MYERS		
2	STEEL	CHECKED		
3	STEEL	J LUGINBILL		
4	BUNA-N	J LUGINBILL		
		APPROVED	DRAWING TITLE	
		J LUGINBILL	ADAPTER	
		RELEASE DATE	90° SAE FEMALE O'RING BOSS	
		2003-09-22	TO ADJUSTABLE O'RING BOSS	
		EN-F24872		
		RPS-3485	SIZE	DRAWING NUMBER
		THIRD ANGLE PROJECTION	A2	FF2591-S
			SCALE	REV
			* DIST U	A
			CAGE CODE	
			01276	
			SHEET	
			*	

①. WASHER CLINCHED TO FITTING WITH .0005 INCH MAXIMUM CLEARANCE TO AN INTERFERENCE FIT.

FF2591-S

DWG. NO.

REV. A

SH.