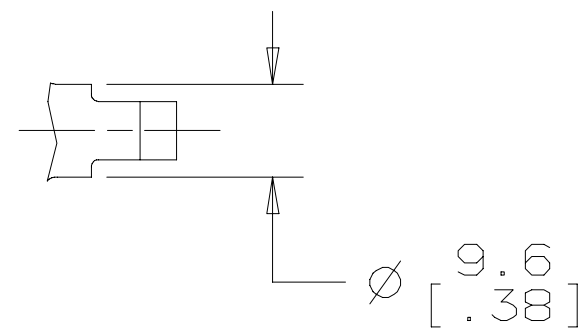
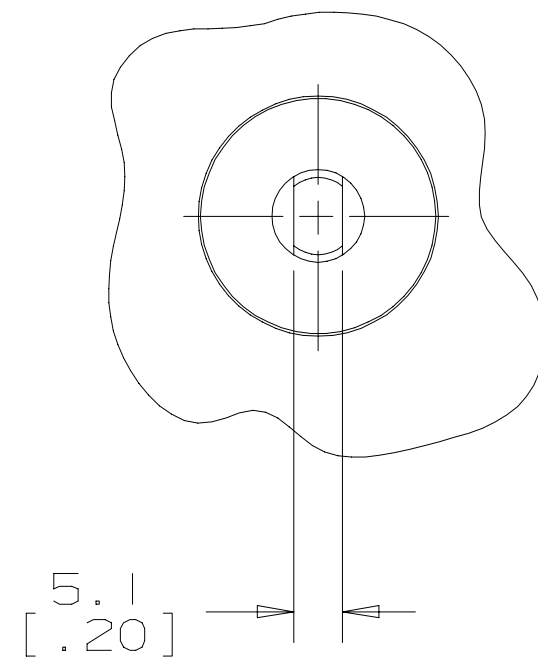
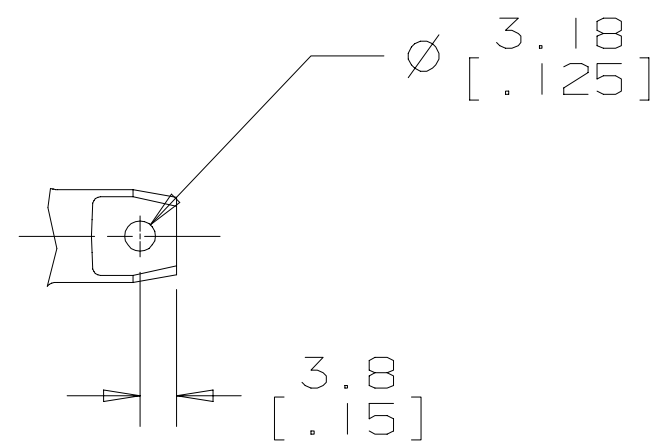


REV	DESCRIPTION	BY	CHK	DATE	ECN
A	ENGINEERING RELEASE	JMS	MJZ	11-14-96	MI6449



H

UNLESS OTHERWISE SPECIFIED ALL DIMENSIONS ARE IN INCHES <input type="checkbox"/> MILLIMETERS [INCHES] <input checked="" type="checkbox"/>	DRAWING BASED ON ANSI Y14.5M-1982	
	THE REPRODUCTION, DISTRIBUTION, AND UTILIZATION OF THIS DOCUMENT, AS WELL AS THE COMMUNICATION OF ITS CONTENTS TO OTHERS WITHOUT EXPLICIT AUTHORIZATION IS PROHIBITED. OFFENDERS WILL BE HELD LIABLE FOR THE PAYMENT OF DAMAGES. ALL RIGHTS RESERVED IN THE EVENT OF THE GRANT OF A PATENT, UTILITY MODEL, OR DESIGN. (PER ISO 16016)	
TOLERANCES .X ± --- .XX ± --- .XXX ± --- < ± ---	DRAWN BY/DATE JMS 12-19-96 CHECKED BY/DATE MJZ 12-19-96 ENGRG BY/DATE MJZ 12-19-96 METALLURGY --- BY/DATE	MATERIAL/HEAT TREAT TITLE DUMP VALVE INSTALLATION
UNSPECIFIED RADII ARE ---	MICROINCHES <input type="checkbox"/> MICROMETERS [MICROINCHES] <input type="checkbox"/> ARITHMETICAL AVERAGE <input checked="" type="checkbox"/>	NUMBER A-1199-001
UNSPECIFIED DRAFT ANGLES ARE ---	THIRD ANGLE PROJECTION DO NOT SCALE	SCALE 1/1 SHEET 1 OF 1
DRAWING FORMAT CADD <input checked="" type="checkbox"/> MANUAL <input type="checkbox"/>		

