

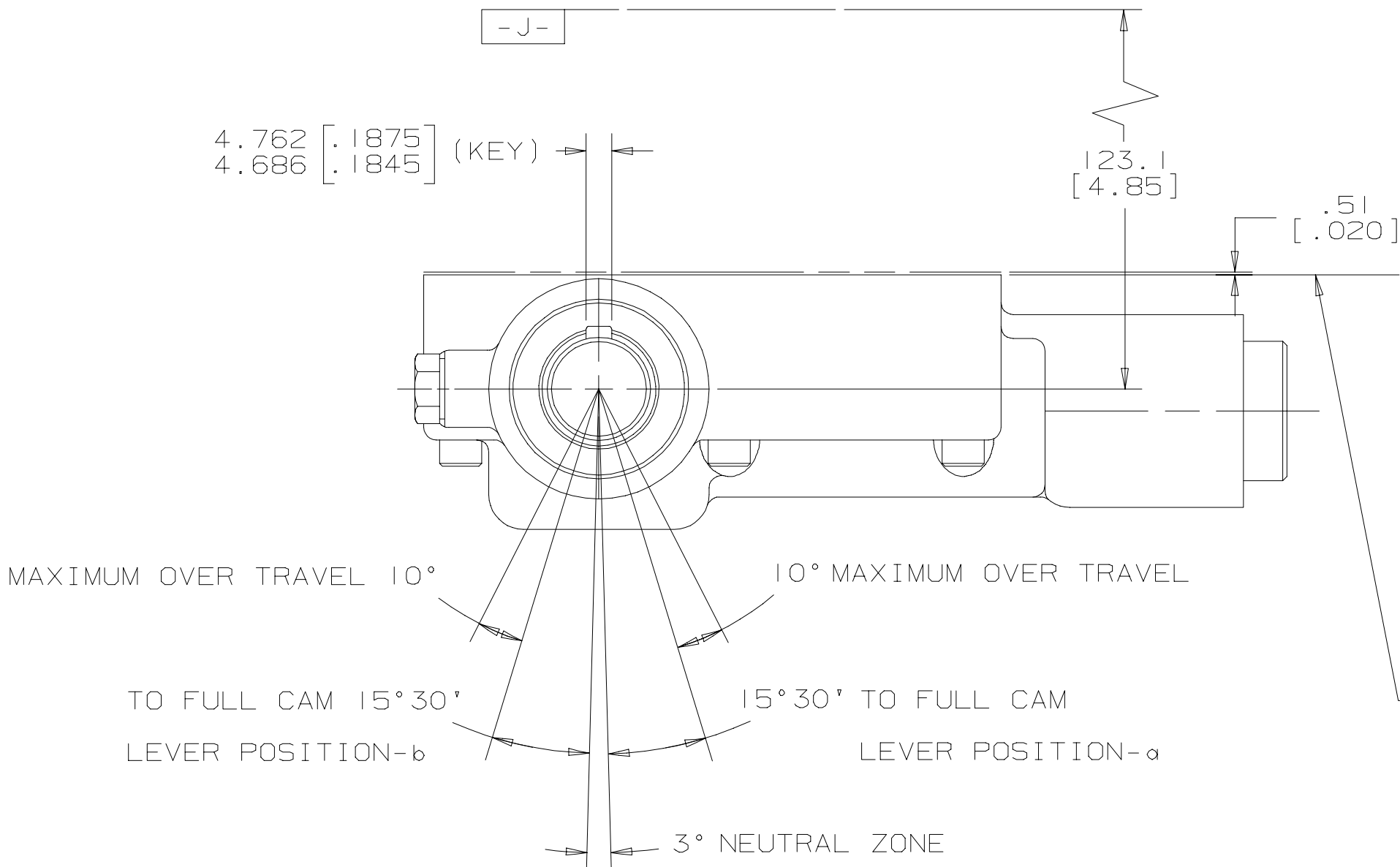
4

3

2

1

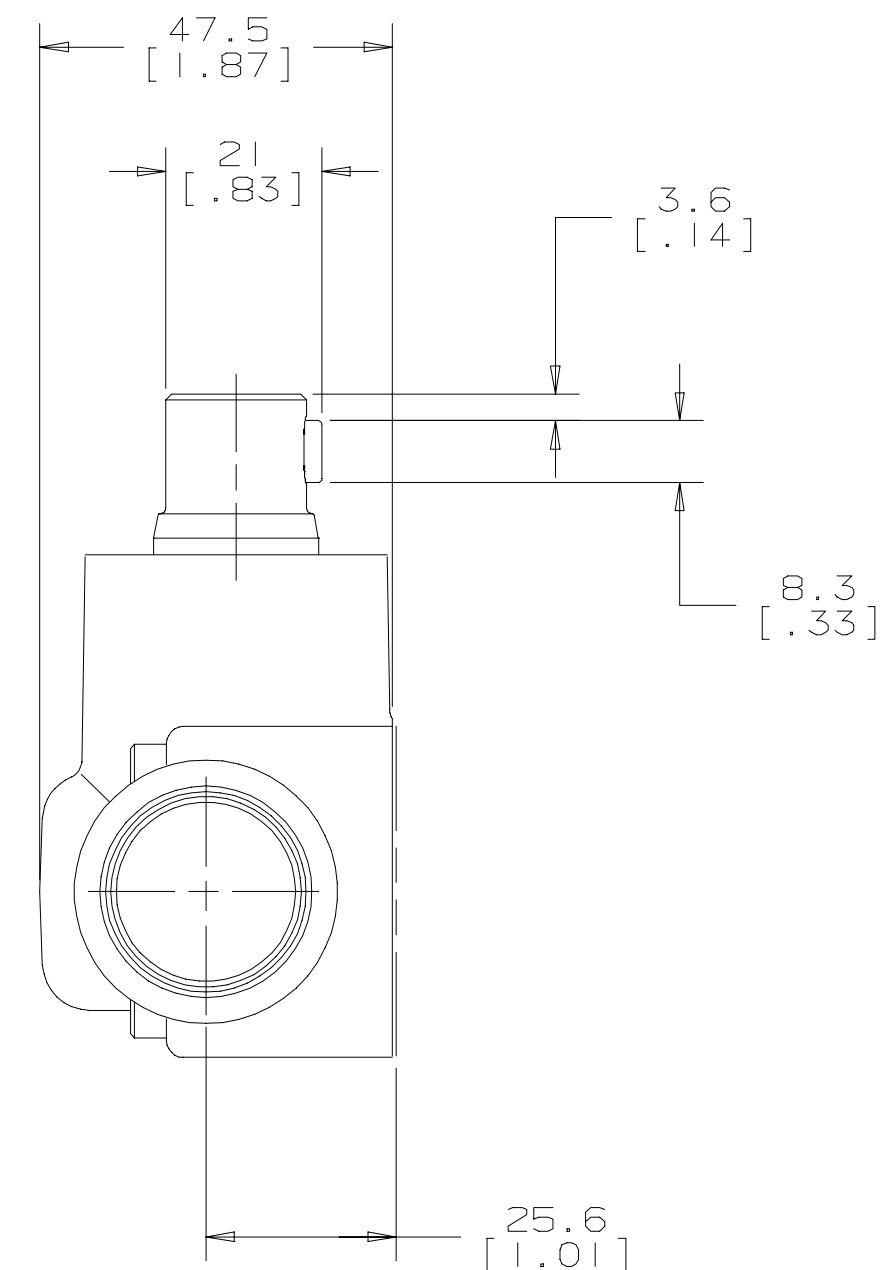
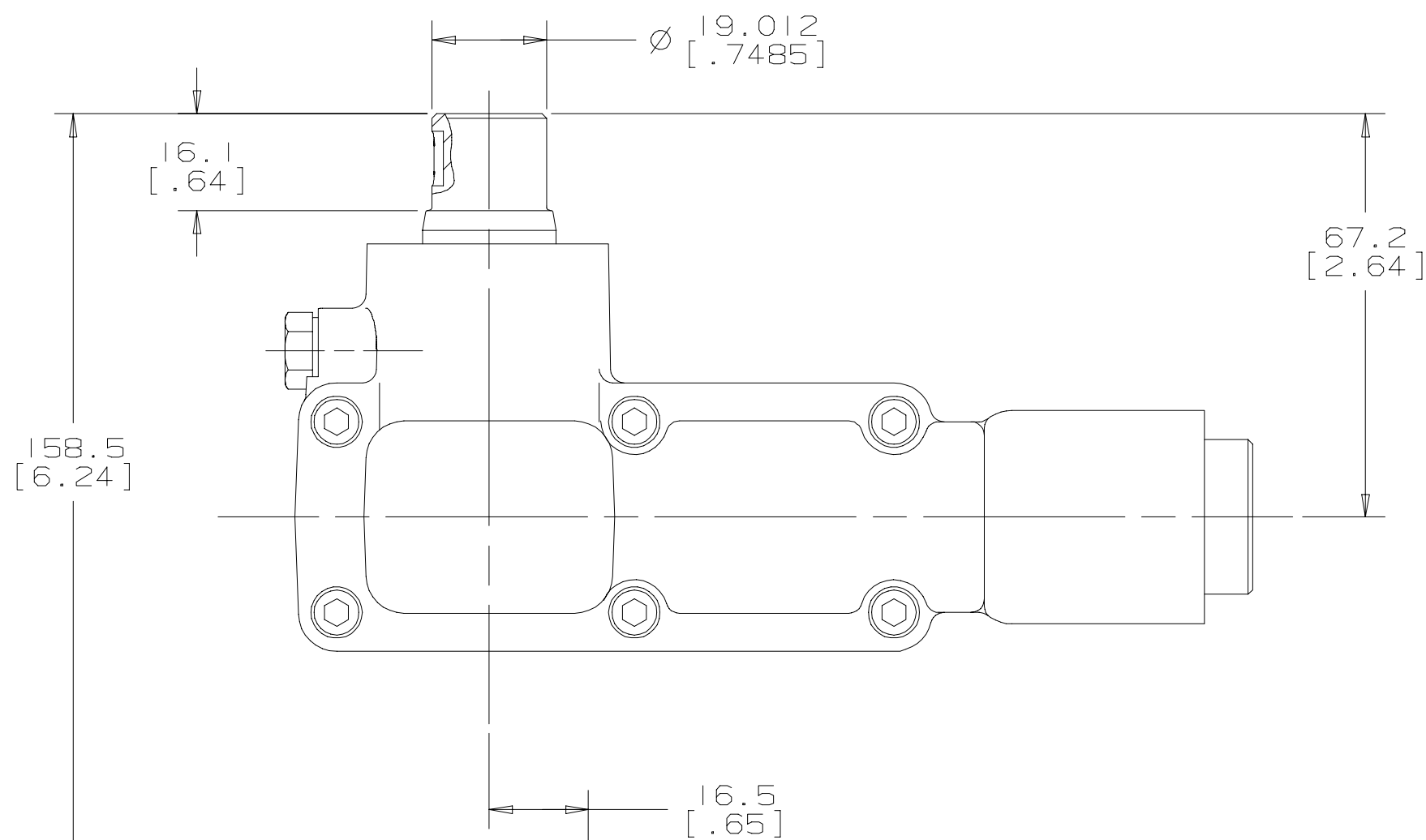
REV	DESCRIPTION	BY	DATE	ECN
A	ENGINEERING RELEASE	EGS	3-24-94	MI1503
B	REVISED	JMS	2-2-95	26368



NOTE

- RIGHT HAND (CLOCKWISE) ROTATION
LEVER POSITION-a ----- PORT-A FLOW FROM SYSTEM PRESSURE
LEVER POSITION-b ----- PORT-B FLOW FROM SYSTEM PRESSURE
LEFT HAND (COUNTER CLOCKWISE) ROTATION
LEVER POSITION-a ----- PORT-B FLOW FROM SYSTEM PRESSURE
LEVER POSITION-b ----- PORT-A FLOW FROM SYSTEM PRESSURE
- TORQUE APPLIED TO CONTROL SHAFT MUST NOT EXCEED 4.52 N·m [40 lbf·in]
- INPUT SHAFT SIDE LOAD CAPACITY OF 22 N [5 lbf] AT CENTER OF INPUT SHAFT KEYWAY

CONTROL MOUNTING SURFACE



CENTERLINE OF OUTPUT SHAFT

G S H

UNLESS OTHERWISE SPECIFIED ALL DIMENSIONS ARE IN INCHES <input type="checkbox"/> MILLIMETERS <input checked="" type="checkbox"/> TOLERANCES .x ± --- .xx ± REF .xxx ± ONLY ∠ ± --- UNSPECIFIED RADII ARE --- UNSPECIFIED DRAFT ANGLES ARE --- DRAWING FORMAT CADD <input checked="" type="checkbox"/> MANUAL <input type="checkbox"/>	DRAWING BASED ON ANSI Y14.5M-1982	
	THE REPRODUCTION, DISTRIBUTION, AND UTILIZATION OF THIS DOCUMENT, AS WELL AS THE COMMUNICATION OF ITS CONTENTS TO OTHERS WITHOUT EXPLICIT AUTHORIZATION IS PROHIBITED. OFFENDERS WILL BE HELD LIABLE FOR THE PAYMENT OF DAMAGES. ALL RIGHTS RESERVED IN THE EVENT OF THE GRANT OF A PATENT, UTILITY MODEL, OR DESIGN. (PER ISO 16016)	
DRAWN BY/DATE EGS 6-9-94	MATERIAL/HEAT TREAT	
CHECKED BY/DATE DLL 6-14-94	TITLE CONTROLLER INSTALLATION	
ENGRG BY/DATE KDS 6-14-94	MICROINCHES <input type="checkbox"/> MICROMETERS <input type="checkbox"/> METALLURGY --- BY/DATE	NUMBER A-387-014
THIRD ANGLE PROJECTION	DO NOT SCALE	SCALE 1/1 SHEET 1 OF 1

4

3

2

1