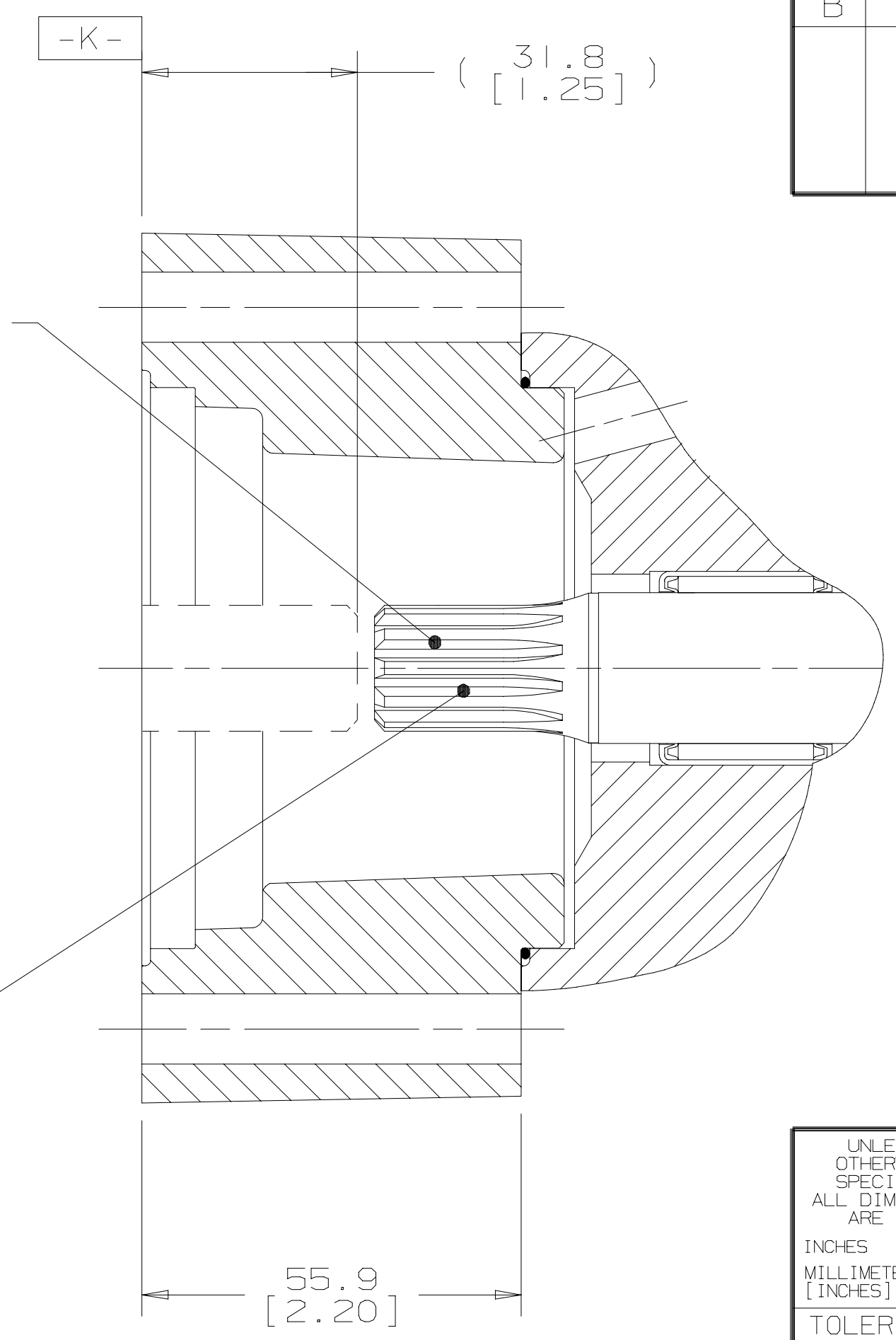


REV	DESCRIPTION	BY	DATE	ECN
A	ENGINEERING RELEASE	JV	1-22-93	23493
B	ADDED 55.9 [2.20]	JMS	7-30-97	M18017

THIS UNIT WILL ACCEPT ANOTHER UNIT WITH SAE FLANGE SERIES 82-2 (A) MOUNT AND 11 TOOTH SPLINE 31.8[1.25] LONG FROM MTG FLANGE. ADDITIONAL UNITS DRIVEN BY THIS SPLINE MUST NOT REQUIRE MORE THAN 118.6 N·m[1050 lbf·in] OF TORQUE



11 TOOTH 16/32 DP
30° INVLT FLAT ROOT CLASS 1
SIDE FIT SPLINE SAE J498b

GH

UNLESS OTHERWISE SPECIFIED ALL DIMENSIONS ARE IN INCHES <input type="checkbox"/> MILLIMETERS [INCHES] <input checked="" type="checkbox"/> TOLERANCES .X ± - .XX ± REF .XXX ± REF ANGLES ± - UNSPECIFIED RADII ARE - UNSPECIFIED DRAFT ANGLES ARE - DRAWING FORMAT CADD <input checked="" type="checkbox"/> MANUAL <input type="checkbox"/>	DRAWING BASED ON ANSI Y14.5M-1982		
	THE REPRODUCTION, DISTRIBUTION, AND UTILIZATION OF THIS DOCUMENT, AS WELL AS THE COMMUNICATION OF ITS CONTENTS TO OTHERS WITHOUT EXPLICIT AUTHORIZATION IS PROHIBITED. OFFENDERS WILL BE HELD LIABLE FOR THE PAYMENT OF DAMAGES. ALL RIGHTS RESERVED IN THE EVENT OF THE GRANT OF A PATENT, UTILITY MODEL, OR DESIGN. (PER ISO 16016)		
	DRAWN BY/DATE JV 2-22-93 CHECKED BY/DATE DLL 3-10-93 ENGRG BY/DATE DMW 3-11-93 METALLURGY BY/DATE	MATERIAL/HEAT TREAT TITLE OUTPUT SHAFT INSTALLATION	
	THIRD ANGLE PROJECTION DO NOT SCALE	NUMBER A-290-073 SCALE 1/1 SHEET 1 OF 1	

