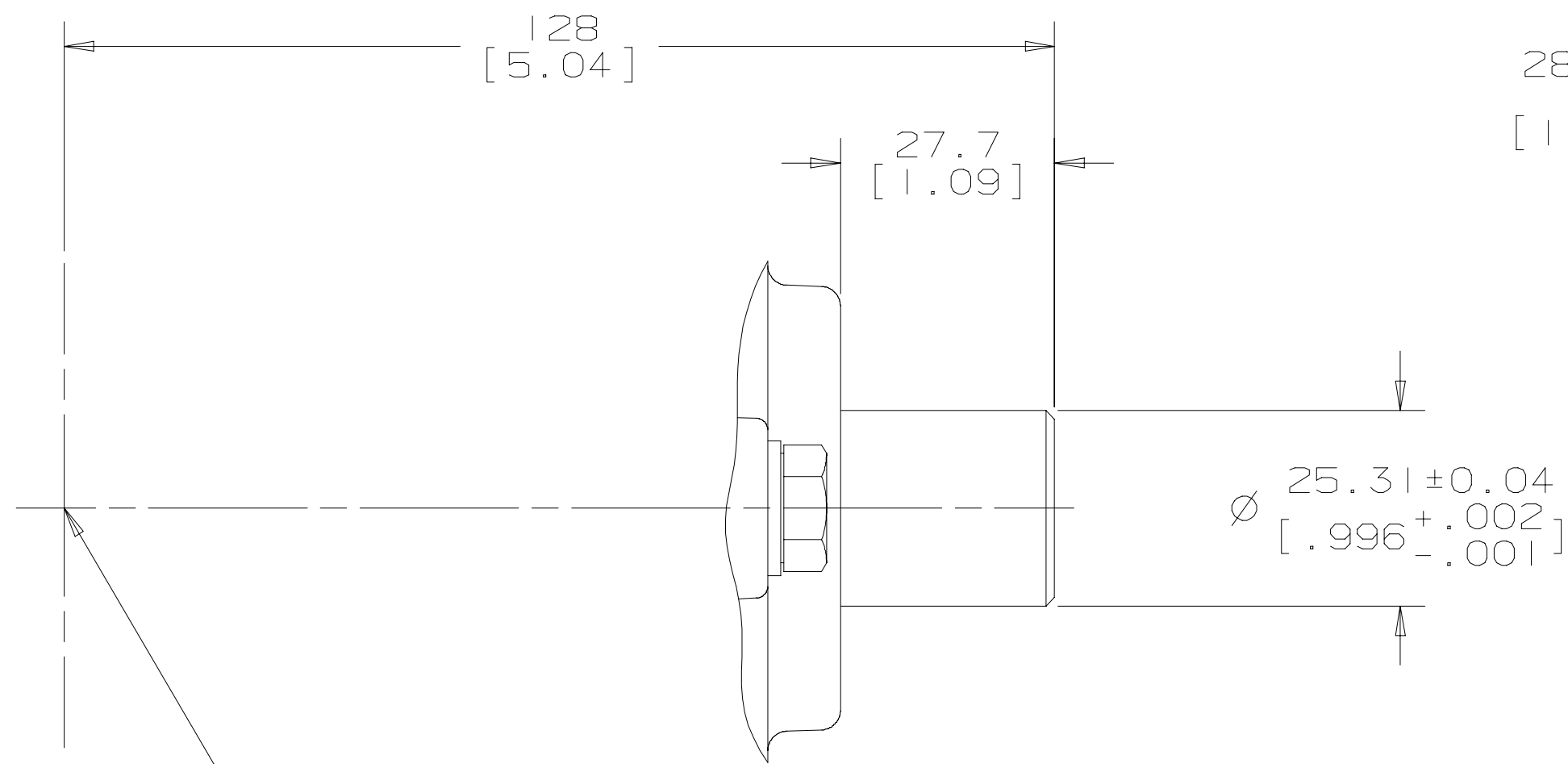
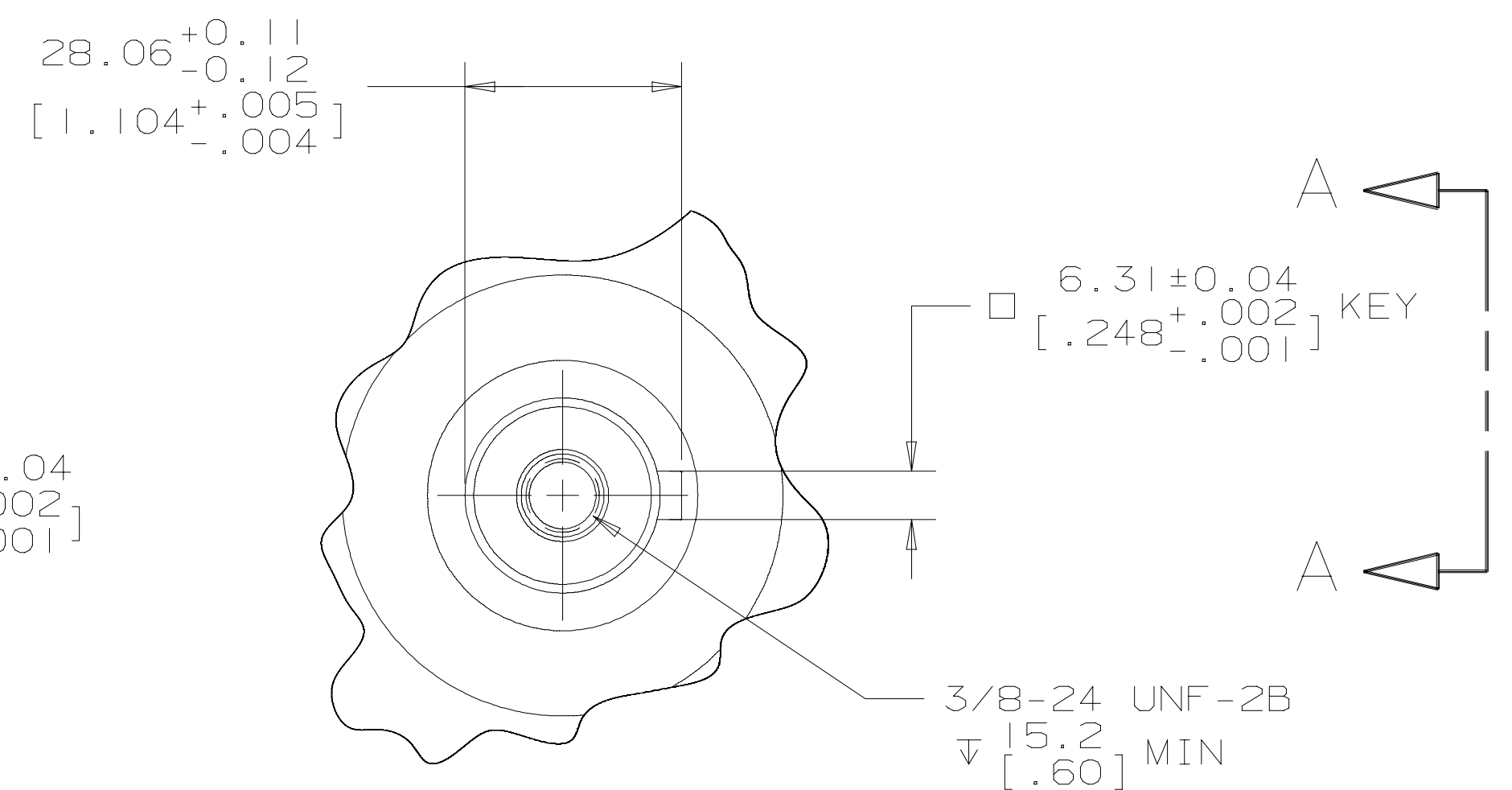


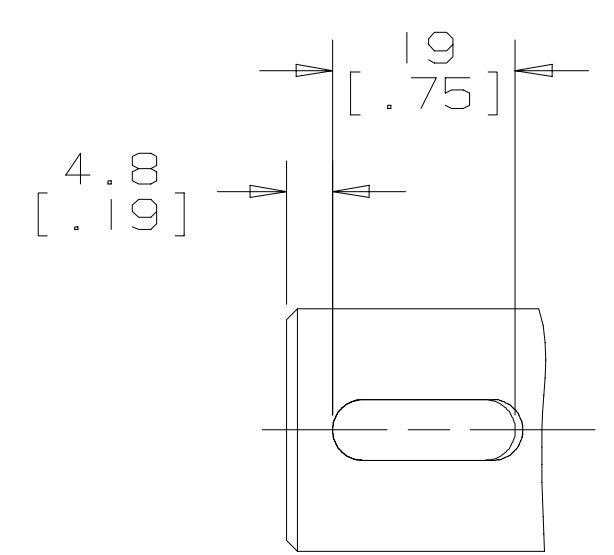
REV	DESCRIPTION	BY	CHK	DATE	ECN
A	ENGINEERING RELEASE	JMM	JMM	10-16-00	M24217



CENTER LINE OF DRIVE SHAFT
(VIEWING FROM FRONT OF PUMP)



CONTROL ARM SHOWN AT
ZERO DISPLACEMENT (NEUTRAL)



VIEW A-A

G H

UNLESS OTHERWISE SPECIFIED ALL DIMENSIONS ARE IN INCHES <input type="checkbox"/> MILLIMETERS <input checked="" type="checkbox"/> [INCHES]	DRAWING BASED ON ANSI Y14.5M-1982	
	THE REPRODUCTION, DISTRIBUTION, AND UTILIZATION OF THIS DOCUMENT, AS WELL AS THE COMMUNICATION OF ITS CONTENTS TO OTHERS WITHOUT EXPLICIT AUTHORIZATION IS PROHIBITED. OFFENDERS WILL BE HELD LIABLE FOR THE PAYMENT OF DAMAGES. ALL RIGHTS RESERVED IN THE EVENT OF THE GRANT OF A PATENT, UTILITY MODEL, OR DESIGN. (PER ISO 16016)	
TOLERANCES .X ± ---- .XX ± REF .XXX ± ONLY < ± ----	DRAWN BY/DATE JMM 11-3-00 CHECKED BY/DATE JMM 11-3-00 ENGRG BY/DATE SSW 11-8-00 METALLURGY BY/DATE ----	MATERIAL/HEAT TREAT TITLE CONTROL SHAFT INSTALLATION
UNSPECIFIED RADII ARE ----	<input type="checkbox"/> MICROINCHES <input type="checkbox"/> MICROMETERS [MICROINCHES]	NUMBER A-1170-015
UNSPECIFIED DRAFT ANGLES ARE ----	<input checked="" type="checkbox"/> THIRD ANGLE PROJECTION DO NOT SCALE	SCALE 1/1 SHEET 1 OF 1
DRAWING FORMAT CADD <input checked="" type="checkbox"/> MANUAL <input type="checkbox"/>	<input type="checkbox"/> ARITHMETICAL AVERAGE	

