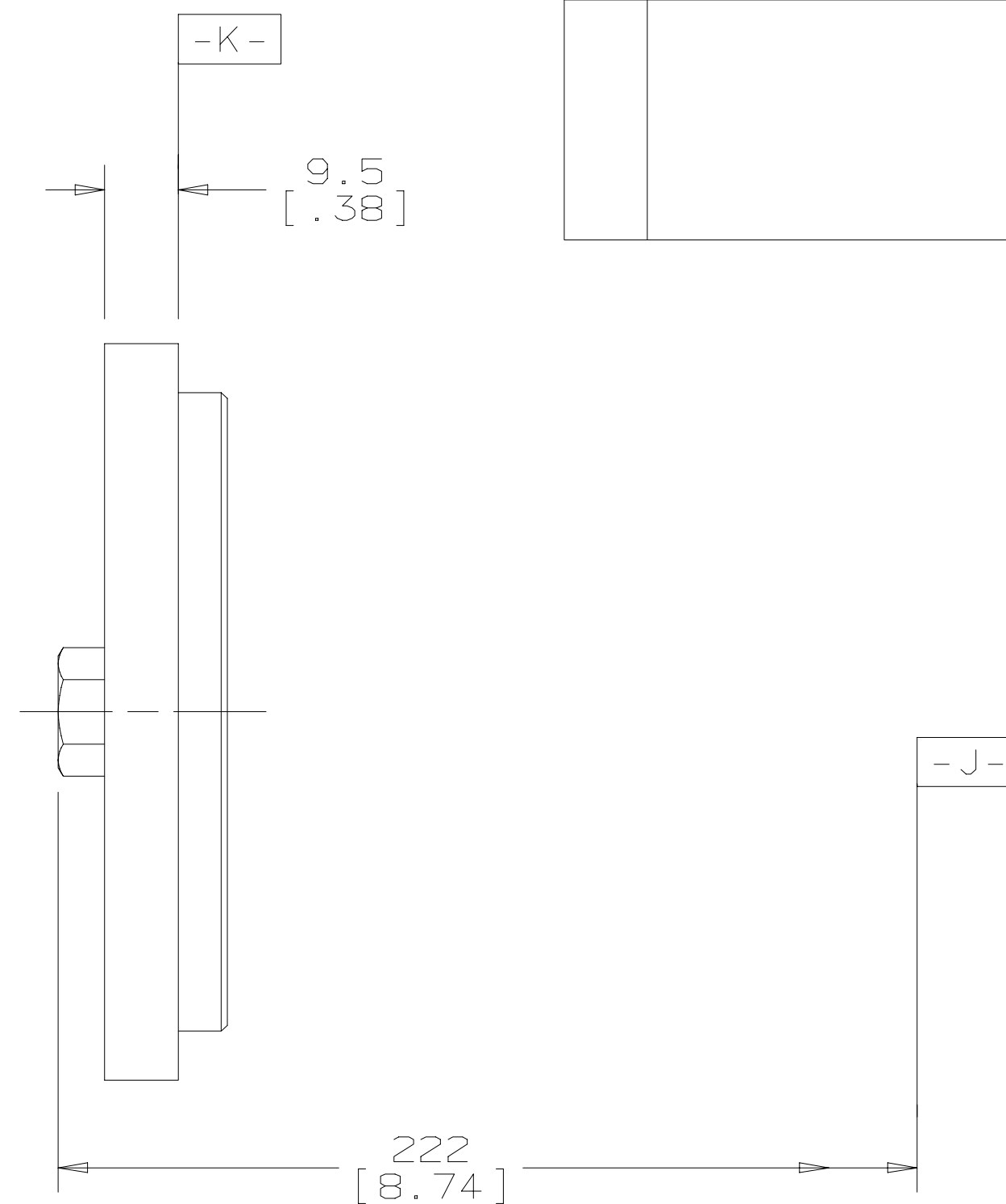
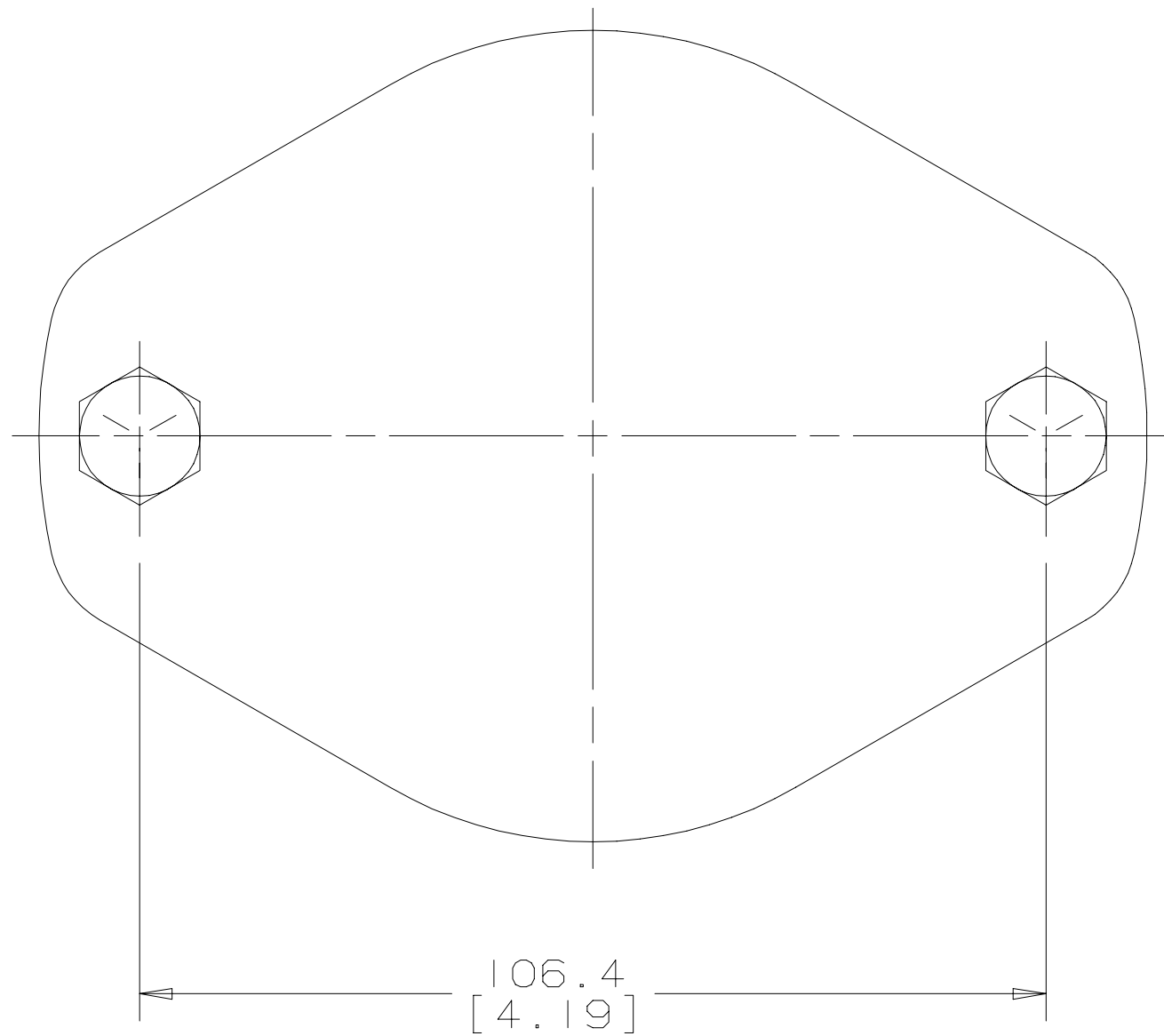



SYM	REVISION	BY	DATE	ECN
A	ENGINEERING RELEASE	RLM	3/11/92	21468



G HK

UNLESS OTHERWISE SPECIFIED ALL DIMENSIONS ARE IN INCHES <input type="checkbox"/> MILLIMETERS <input checked="" type="checkbox"/> TOLERANCES .X ± .XX ± REF .XXX ± ONLY ∠ ± UNSPECIFIED RADII ARE _____ UNSPECIFIED DRAFT ANGLES ARE _____ DRAWING FORMAT CADD <input checked="" type="checkbox"/> MANUAL <input type="checkbox"/>	DRAWING BASED ON ANSI Y14.5M-1982		<p>THE REPRODUCTION, DISTRIBUTION, AND UTILIZATION OF THIS DOCUMENT, AS WELL AS THE COMMUNICATION OF ITS CONTENTS TO OTHERS WITHOUT EXPLICIT AUTHORIZATION IS PROHIBITED. OFFENDERS WILL BE HELD LIABLE FOR THE PAYMENT OF DAMAGES. ALL RIGHTS RESERVED IN THE EVENT OF THE GRANT OF A PATENT, UTILITY MODEL, OR DESIGN. (PER ISO 16016)</p> 
	DRAWN BY/DATE: RLM 10/10/91 CHECKED BY/DATE: _____ ENGRG BY/DATE: _____ METALLURGY BY/DATE: _____	MATERIAL/HEAT TREAT	
	TITLE COVER PLATE INSTALLATION		NUMBER A-470-002
	DO NOT SCALE	SCALE 1/1	SHEET 1 OF 1