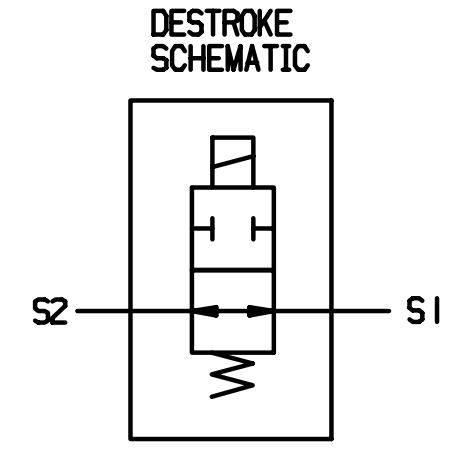
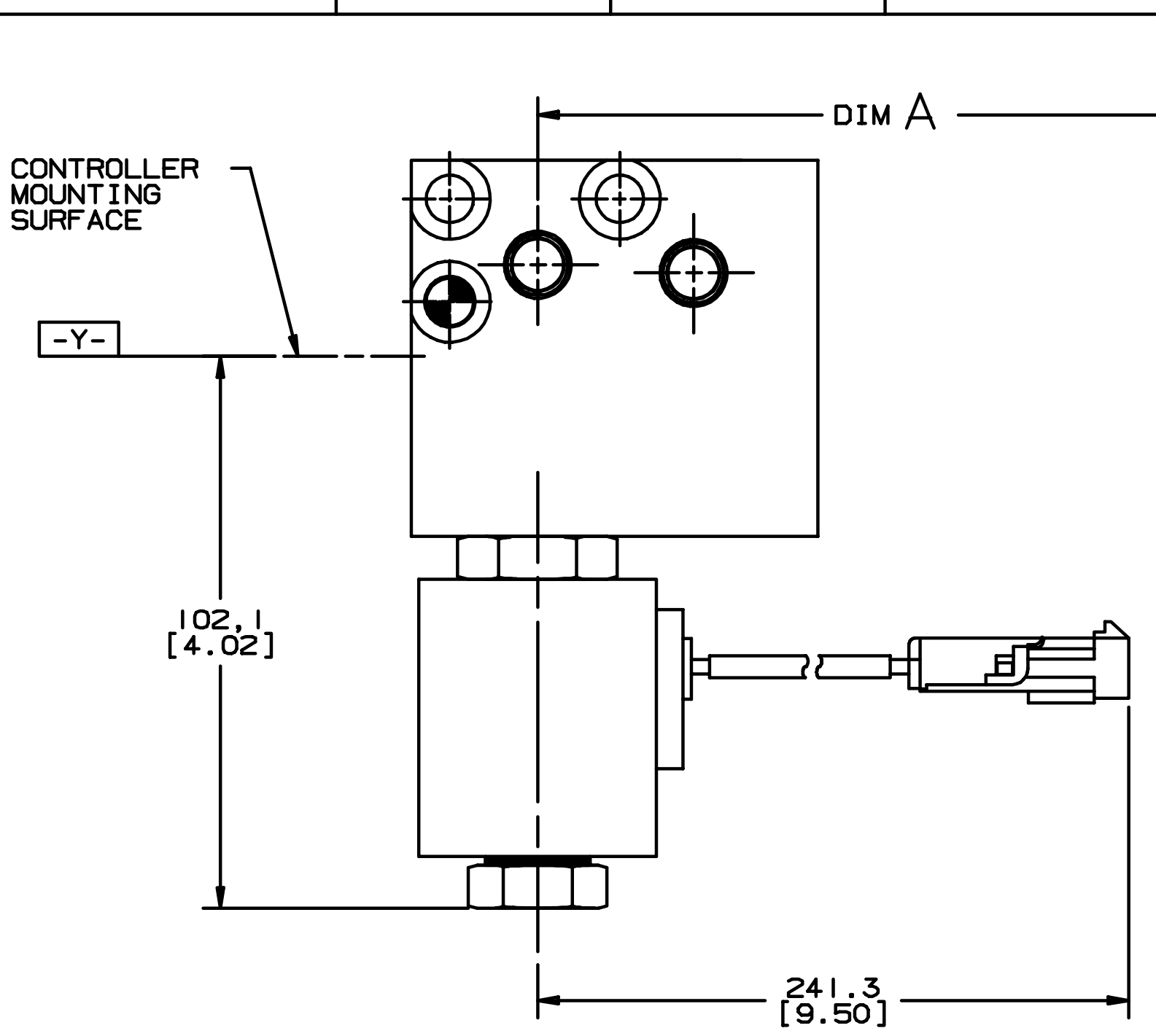
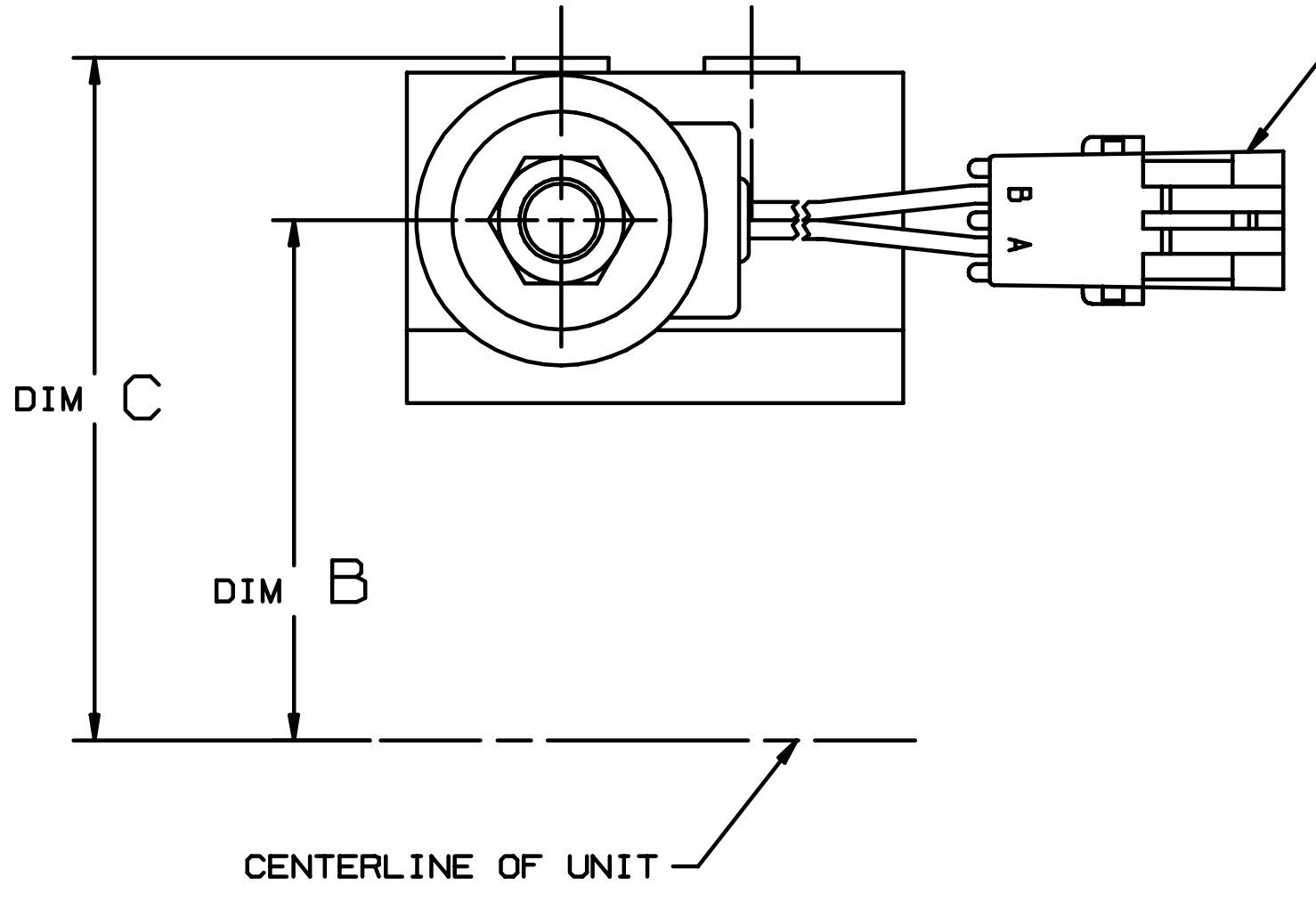


DISPLACEMENT	DIM A	DIM B	DIM C
54,34 cm ³ /r [3.316 in ³ /r]			
63,66 cm ³ /r [3.885 in ³ /r]	88,1 [3.47]	132,1 [5.20]	156,8 [6.17]
75,28 cm ³ /r [4.594 in ³ /r]			
89,13 cm ³ /r [5.439 in ³ /r]	99,2 [3.91]	147,6 [5.81]	172,3 [6.78]
105,4 cm ³ /r [6.431 in ³ /r]			

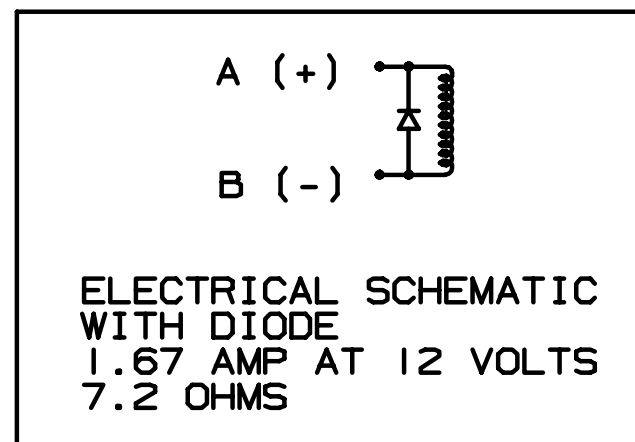
REV	DESCRIPTION	BY	CHK	DATE	ECN
A	RELEASE FOR SAMPLES AND ESTIMATE	CLL	JED	7-16-96	MI5468A
B	REVISED PICTORIALLY	TJG	JED	2-13-98	MI8960
C	ENGINEERING RELEASE	TJG	JED	3-11-98	30881



MATING 2-WAY CONNECTOR PACKARD ELECTRIC
 P/N 1201 5792 CONNECTOR (1)
 P/N 1208 9188 PIN TERMINAL (2)
 P/N 1201 0293 CABLE SEAL (2)



NOTE
 1 UNLESS OTHERWISE SPECIFIED ALL DIMENSIONS ARE NOMINAL



UNLESS OTHERWISE SPECIFIED ALL DIMENSIONS ARE IN INCHES <input type="checkbox"/> MILLIMETERS <input checked="" type="checkbox"/> TOLERANCES .x ± ---- .xx ± ---- .xxx ± ---- < ± ---- UNSPECIFIED RADII ARE ---- UNSPECIFIED DRAFT ANGLES ARE ---- DRAWING FORMAT CAD <input checked="" type="checkbox"/> MANUAL <input type="checkbox"/>	DRAWING BASED ON ANSI Y14.5M-1982 THE REPRODUCTION, DISTRIBUTION, AND UTILIZATION OF THIS DOCUMENT, AS WELL AS THE COMMUNICATION OF ITS CONTENTS TO OTHERS WITHOUT EXPLICIT AUTHORIZATION IS PROHIBITED. OFFENDERS WILL BE HELD LIABLE FOR THE PAYMENT OF DAMAGES. ALL RIGHTS RESERVED IN THE EVENT OF THE GRANT OF A PATENT, UTILITY MODEL, OR DESIGN. (PER ISO 16016)		
	DRAWN BY/DATE CLL 11-5-96 CHECKED BY/DATE JED 11-21-96 ENGR BY/DATE MFW 11-21-96 METALLURGY BY/DATE ----	MATERIAL/HEAT TREAT TITLE DESTROKE VALVE INSTALLATION	
THIRD ANGLE PROJECTION DO NOT SCALE ARITHMETICAL AVERAGE	NUMBER A-2000-001	SCALE 1/1 SHEET 1 OF 1	