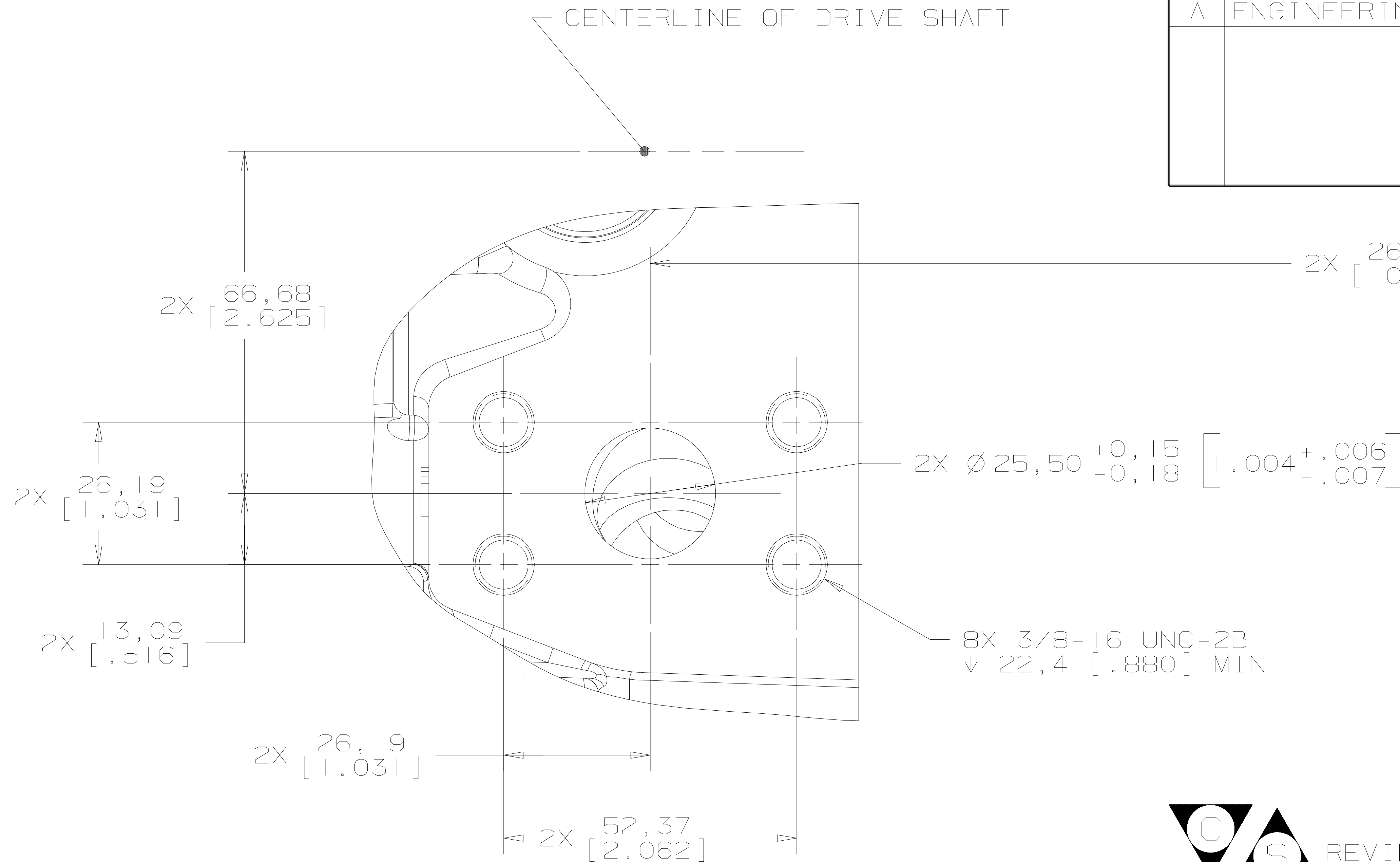
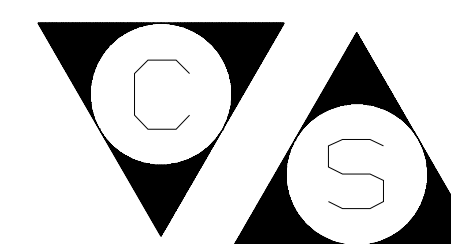


REV	DESCRIPTION	BY	CHK	DATE	ECN
A	ENGINEERING RELEASE	BMS	RLL	5-28-03	M30856



-Z-



REVIEWED FOR CLASSIFICATION PER ESP-042

T

1.00 SAE 4-BOLT SPLIT FLANGE PORT  
STANDARD PRESSURE SERIES (CODE 61)

54-64

UNLESS OTHERWISE SPECIFIED ALL DIMENSIONS ARE IN		DRAWING BASED ON ANSI Y14.5M-1982	
INCHES <input type="checkbox"/>	MILLIMETERS [INCHES] <input checked="" type="checkbox"/>	THE REPRODUCTION, DISTRIBUTION, AND UTILIZATION OF THIS DOCUMENT, AS WELL AS THE COMMUNICATION OF ITS CONTENTS TO OTHERS WITHOUT EXPLICIT AUTHORIZATION IS PROHIBITED. OFFENDERS WILL BE HELD LIABLE FOR THE PAYMENT OF DAMAGES. ALL RIGHTS RESERVED IN THE EVENT OF THE GRANT OF A PATENT, UTILITY MODEL, OR DESIGN. (PER ISO 16016)	
TOLERANCES			
.X ±---	.XX ±---		
.XXX ±---	< ±---	DRAWN BY/DATE BMS 6-2-03	MATERIAL/HEAT TREAT
UNSPECIFIED RADII ARE ---		CHECKED BY/DATE RLL 6-10-03	TITLE STANDARD PRESSURE PORT INSTALLATION
UNSPECIFIED DRAFT ANGLES ARE ---		ENGRG BY/DATE JWR 6-11-03	
DRAWING FORMAT CADD <input checked="" type="checkbox"/> MANUAL <input type="checkbox"/>		METALLURGY BY/DATE ---	NUMBER A-993-009
THIRD ANGLE PROJECTION		ARITHMETICAL AVERAGE <input checked="" type="checkbox"/>	
DO NOT SCALE		SCALE 1/1	SHEET 1 OF 1