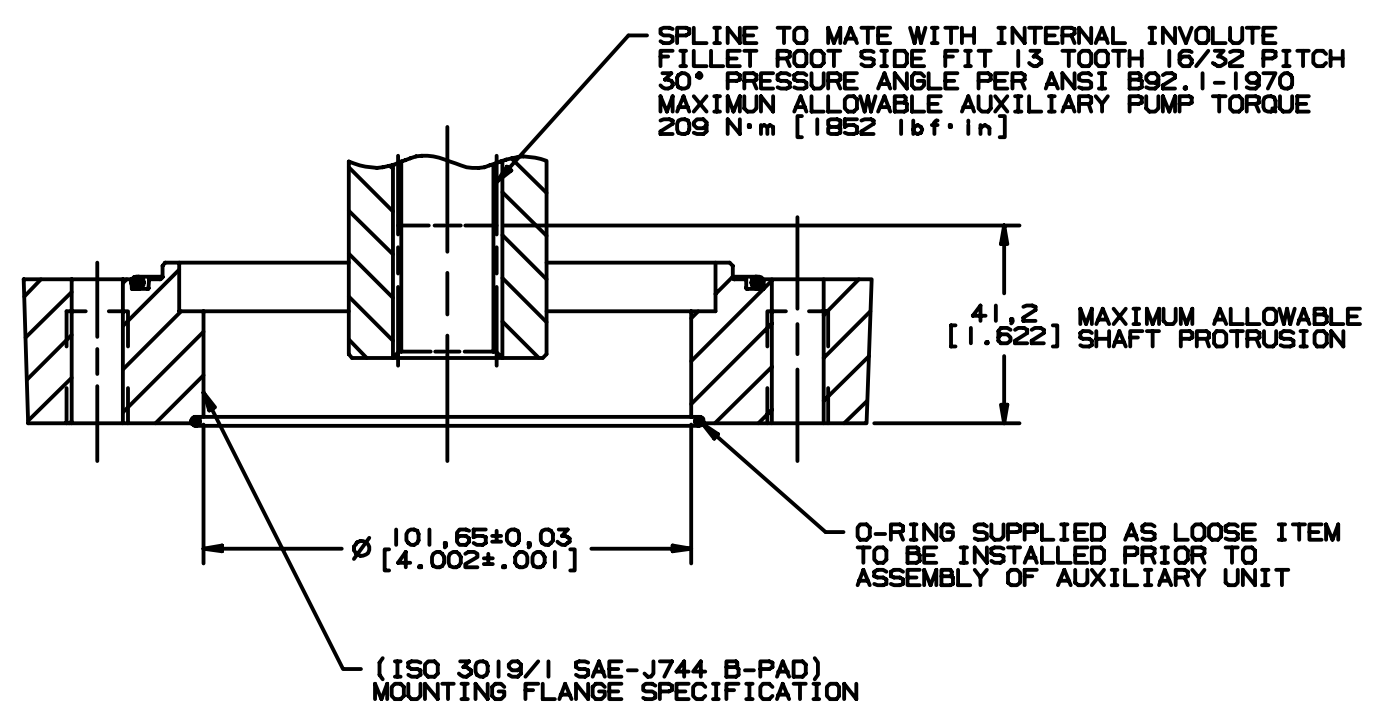
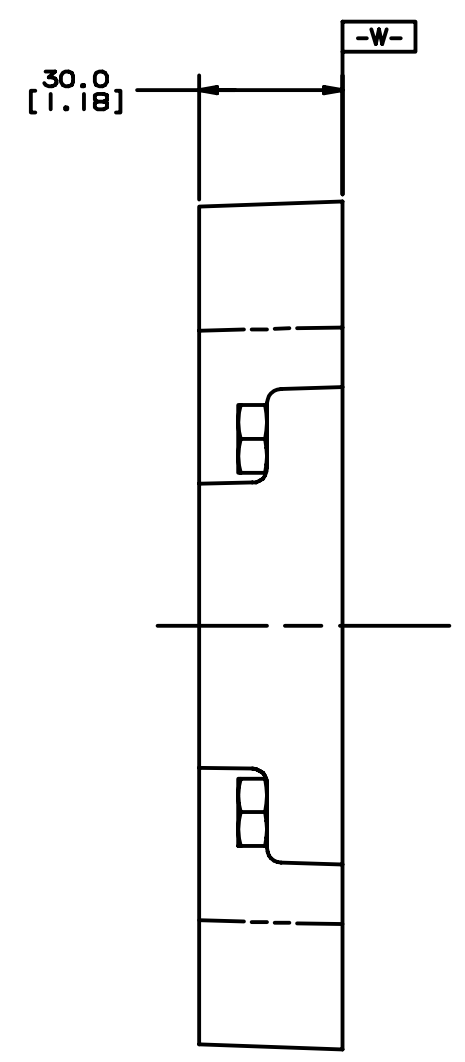
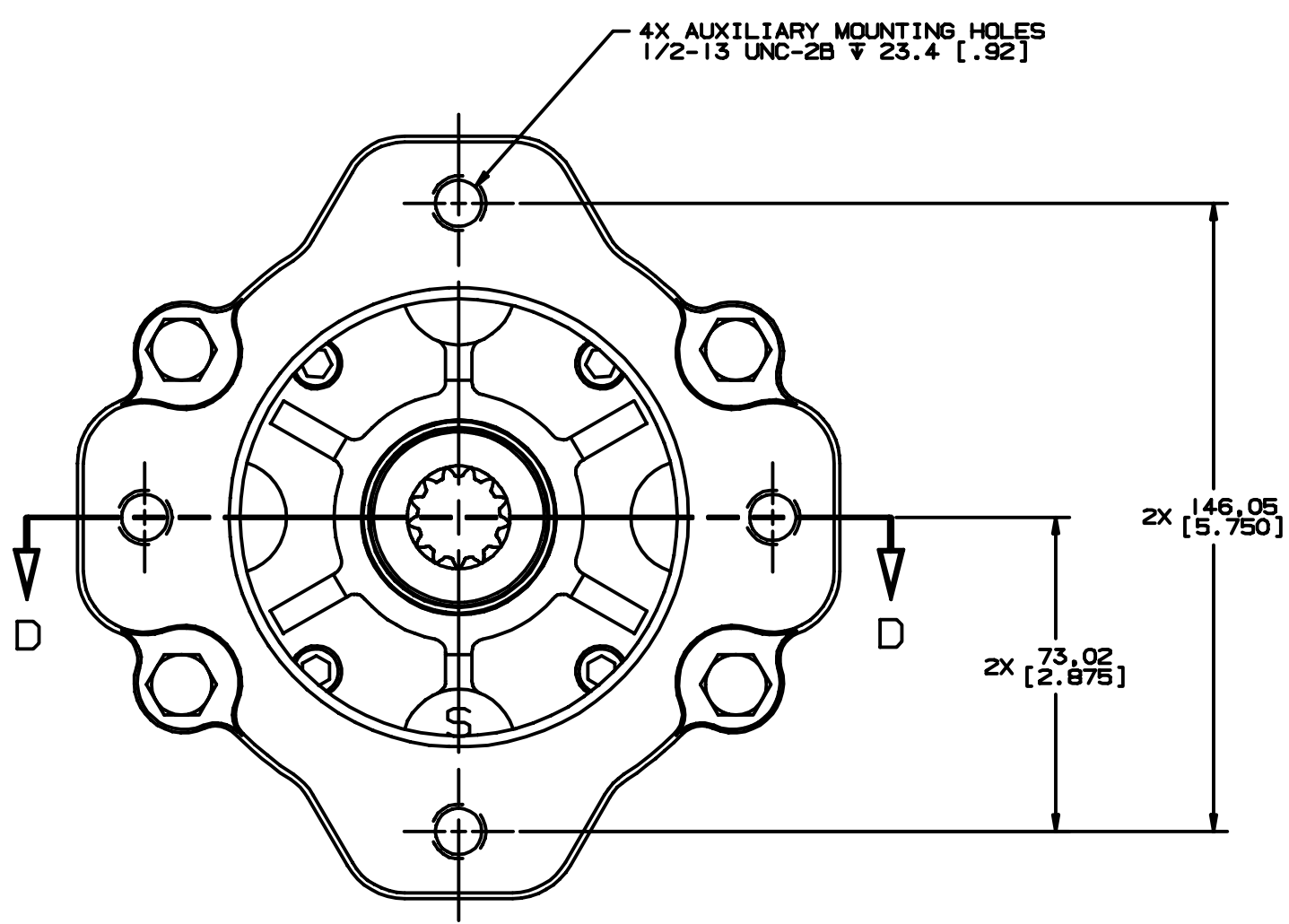


REV	DESCRIPTION	BY	CHK	DATE	ECN
A	RELEASE FOR SAMPLES AND ESTIMATE	RLL		5-9-95	X7920
B	ENGINEERING RELEASE - (1) REVISED PICTORIALY	JJV		4-15-96	28055
C	(6D) WAS 45,3 [1.79]	EMR	JED	6-25-97	29738



SECTION D-D



NOTE
1 AUXILIARY PAD DOES NOT HAVE A SHAFT SEAL.
SPLINES ARE LUBRICATED. AUXILIARY PUMP MUST
WITHSTAND A MAX CASE PRESSURE OF 200 lbf/in²

UNLESS OTHERWISE SPECIFIED ALL DIMENSIONS ARE IN INCHES <input type="checkbox"/> FRACTIONS <input checked="" type="checkbox"/> DECIMALS <input type="checkbox"/> HOLE DIMENSIONS <input checked="" type="checkbox"/> (BORES) TOLERANCES .XX ± .0005 .XXX ± .0008 .X ± .0005 .XXX ± .0008 UNSPECIFIED RAZES ARE .0005 UNSPECIFIED DRAFT ANGLES ARE 1:20 DRAWING FORMALLY CHECKED BY: [initials]	DRAWING BASED ON ANSI Y14.5M-1982 THE REPRODUCTION, DISTRIBUTION, AND UTILIZATION OF THIS DOCUMENT, AS WELL AS THE COMMUNICATION OF ITS CONTENTS TO OTHERS WITHOUT EXPLICIT AUTHORIZATION IS PROHIBITED. OFFENDERS WILL BE HELD LIABLE FOR THE PAYMENT OF DAMAGES. ALL RIGHTS RESERVED IN THE EVENT OF THE GRANT OF A PATENT, UTILITY MODEL, OR DESIGN. (PER ISO 16061) DANFOSS RLL 5-30-95 MATERIAL/WEAT TREAT MFW 12-2-95 MFW 12-2-95 THIRD ANGLE PROJECTION DO NOT SCALE AUTHORIZED APPROV	DANFOSS FILE B-PAD ADAPTER INSTALLATION NUMBER A-995-002 SCALE 1/1 SHEET 1 OF 1
---	---	---