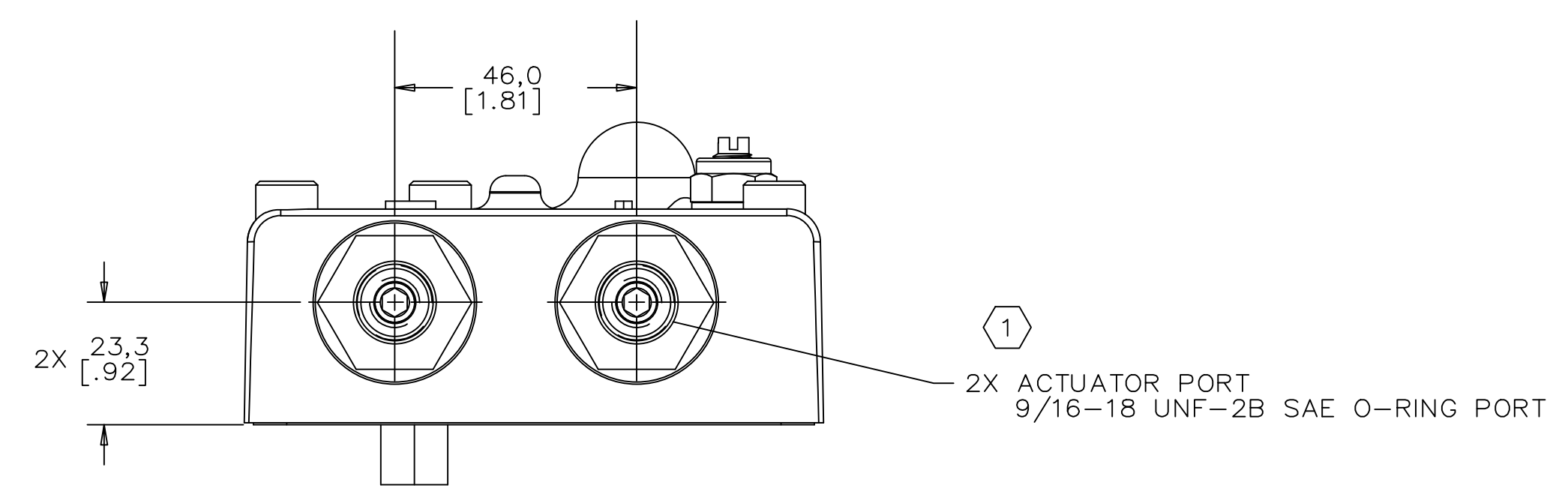
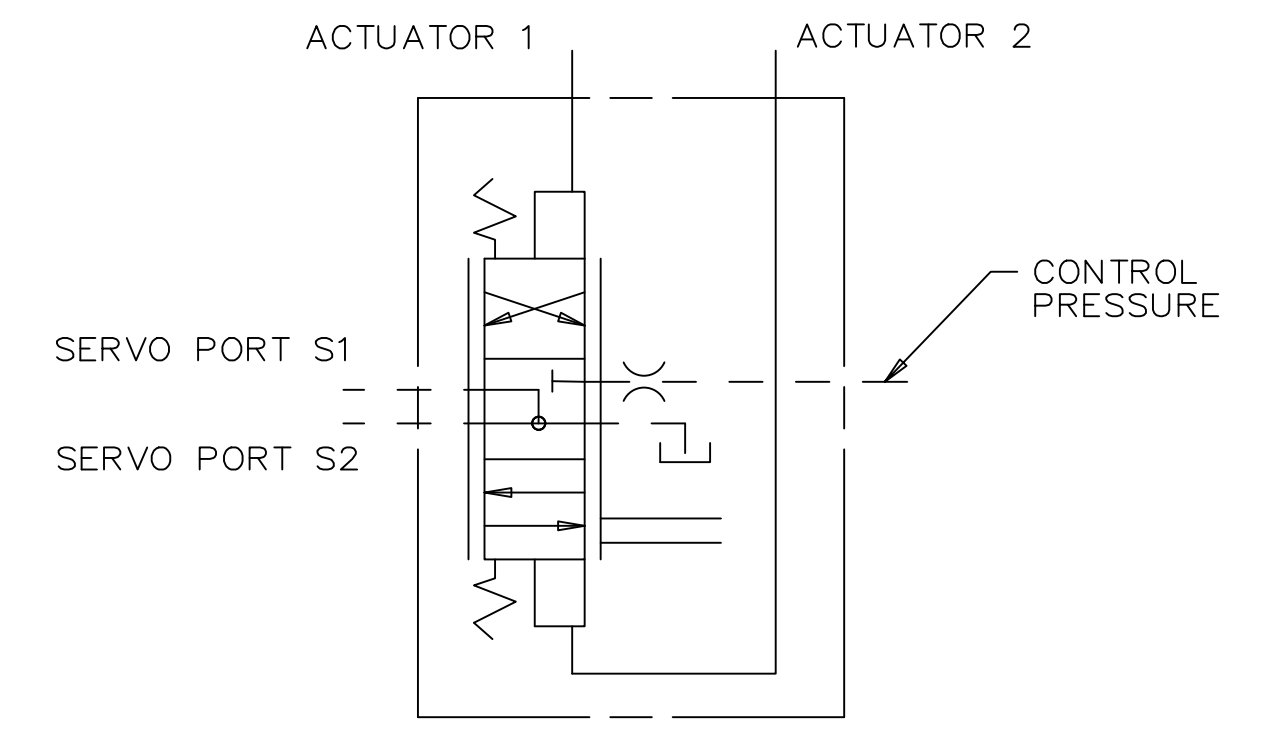
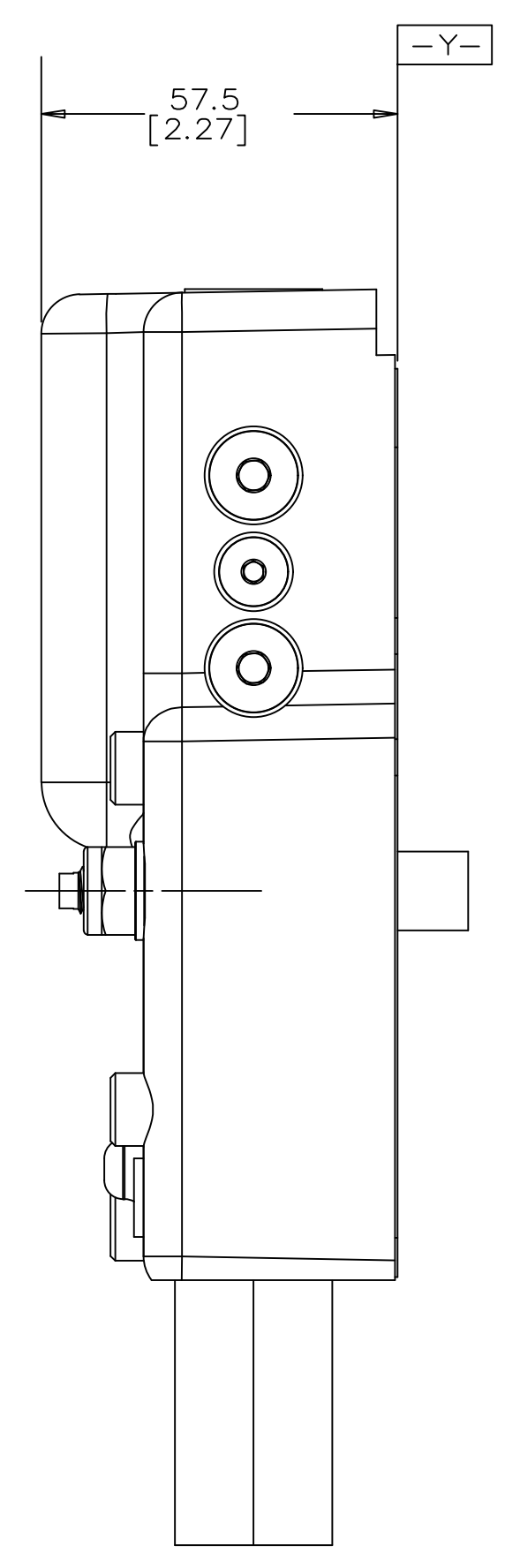
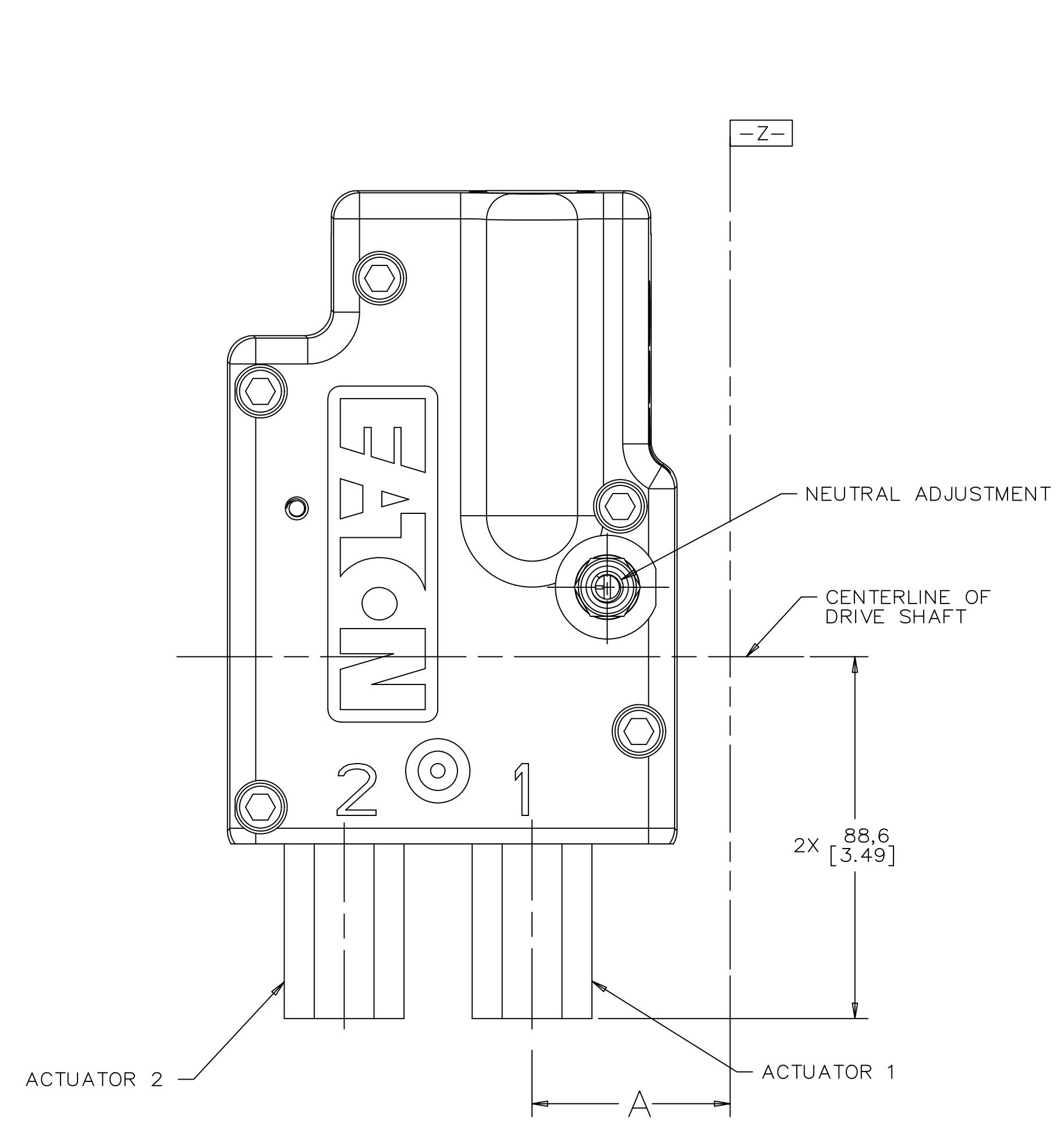


DISPLACEMENT	DIM A
54,34 cm ³ /r [3.316 in ³ /r]	37,3 [1.47]
63,66 cm ³ /r [3.885 in ³ /r]	37,3 [1.47]
75,28 cm ³ /r [4.594 in ³ /r]	37,3 [1.47]
89,13 cm ³ /r [5.439 in ³ /r]	48,5 [1.91]
105,4 cm ³ /r [6.431 in ³ /r]	48,5 [1.91]

REV	DESCRIPTION	BY	CHK	DATE	ECN	MPS
A	RELEASE FOR SAMPLES AND ESTIMATES	AGJ	JED	10-11-96		M12796
C	ENGINEERING RELEASE -1) REVISED PICTORIALLY	EMR	JED	08-06-97		29849
D	REVISED PICTORIALLY	EMR	JED	02-18-98		30736
E	REVISED PICTORIALLY	VRS	KCS	03-17-20		M109101A



NOTE
 ① SECURE ACTUATOR TO PREVENT TURNING WHEN INSTALLING FITTINGS OR HOSES

REVIEWED FOR CLASSIFICATION PER ESP-042

DRAWING BASED ON ASME Y14.5-2009

UNLESS OTHERWISE SPECIFIED ALL DIMENSIONS ARE IN INCHES MILLIMETERS

TOLERANCES
 .X ± ---
 .XX ± ---
 .XXX ± ---
 < ± ---

UNSPECIFIED RADI ARE: ---
 UNSPECIFIED DRAFT ANGLES ARE: ---

DRAWN BY/DATE: AGJ 10-14-96
 CHECKED BY/DATE: JED 10-18-96
 ENGRG BY/DATE: MSJ 10-22-96
 METALLURGY BY/DATE: ---

MATERIAL/HEAT TREAT: ---
 TITLE: HYDRAULIC REMOTE CONTROL INSTALLATION

NUMBER: A-994-022
 SCALE: 1/1 SHEET 1 OF 1

THIRD ANGLE PROJECTION DO NOT SCALE

ARITHMETICAL AVERAGE

PORT B FLOW	OUT	IN	IN	OUT
PORT A FLOW	IN	OUT	OUT	IN
ACTUATOR ENERGIZED	1	2	1	2
INPUT SHAFT ROTATION	CW		CCW	