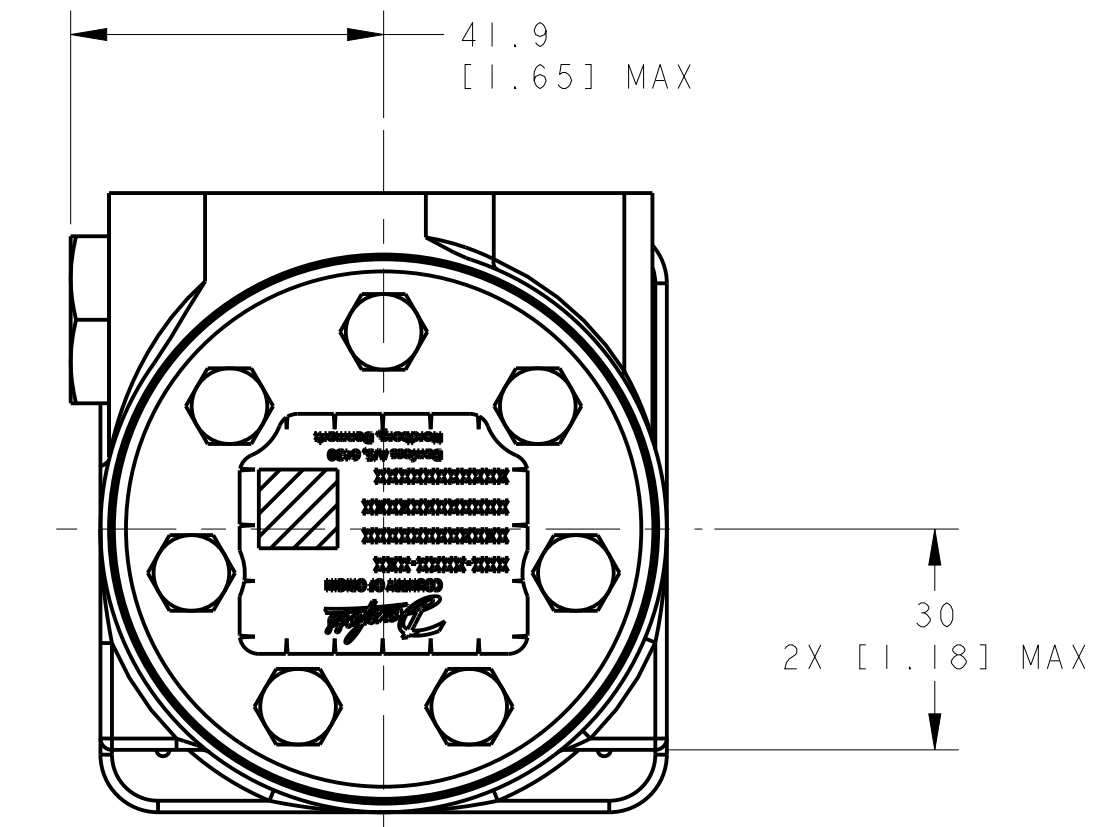
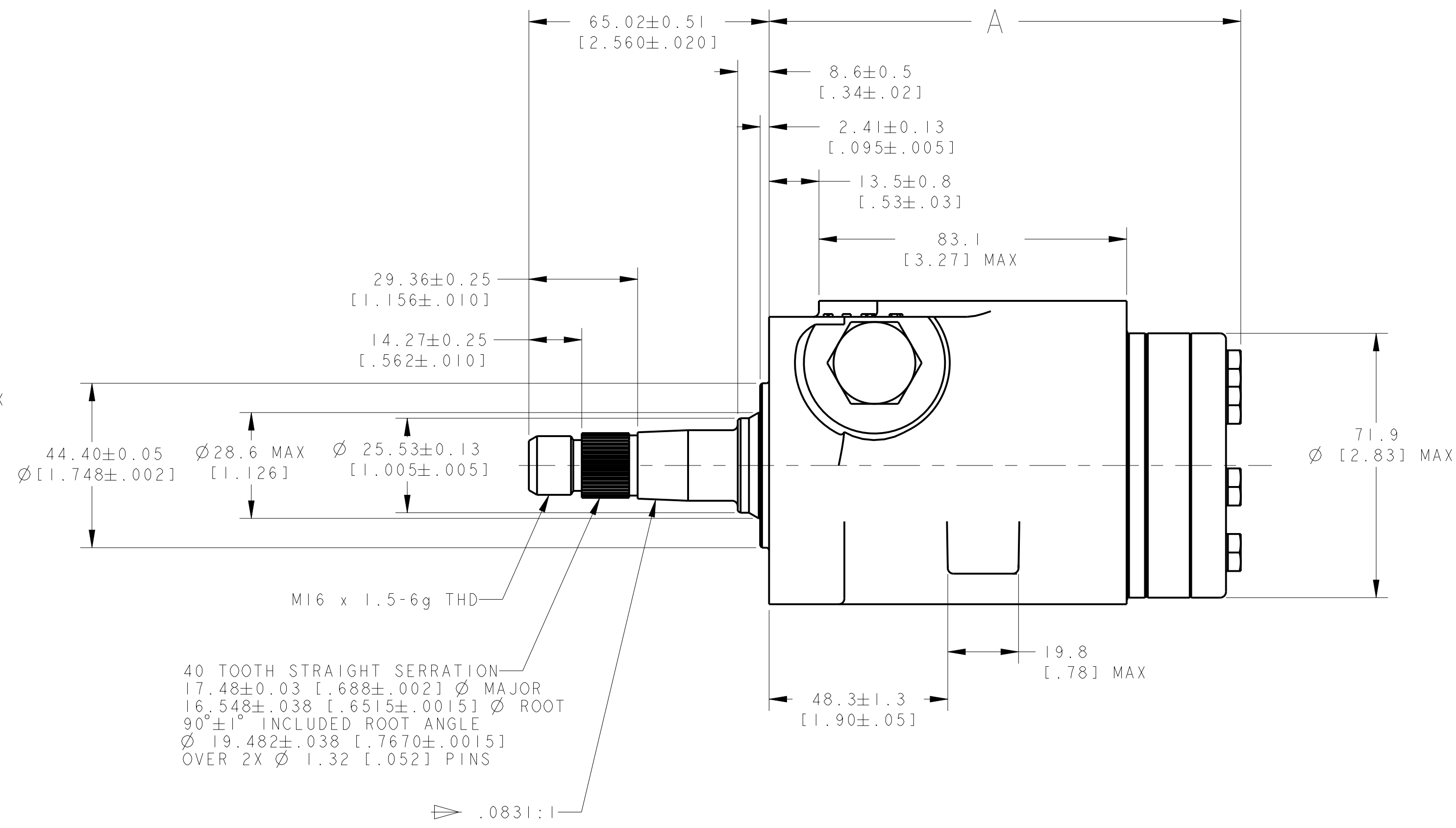
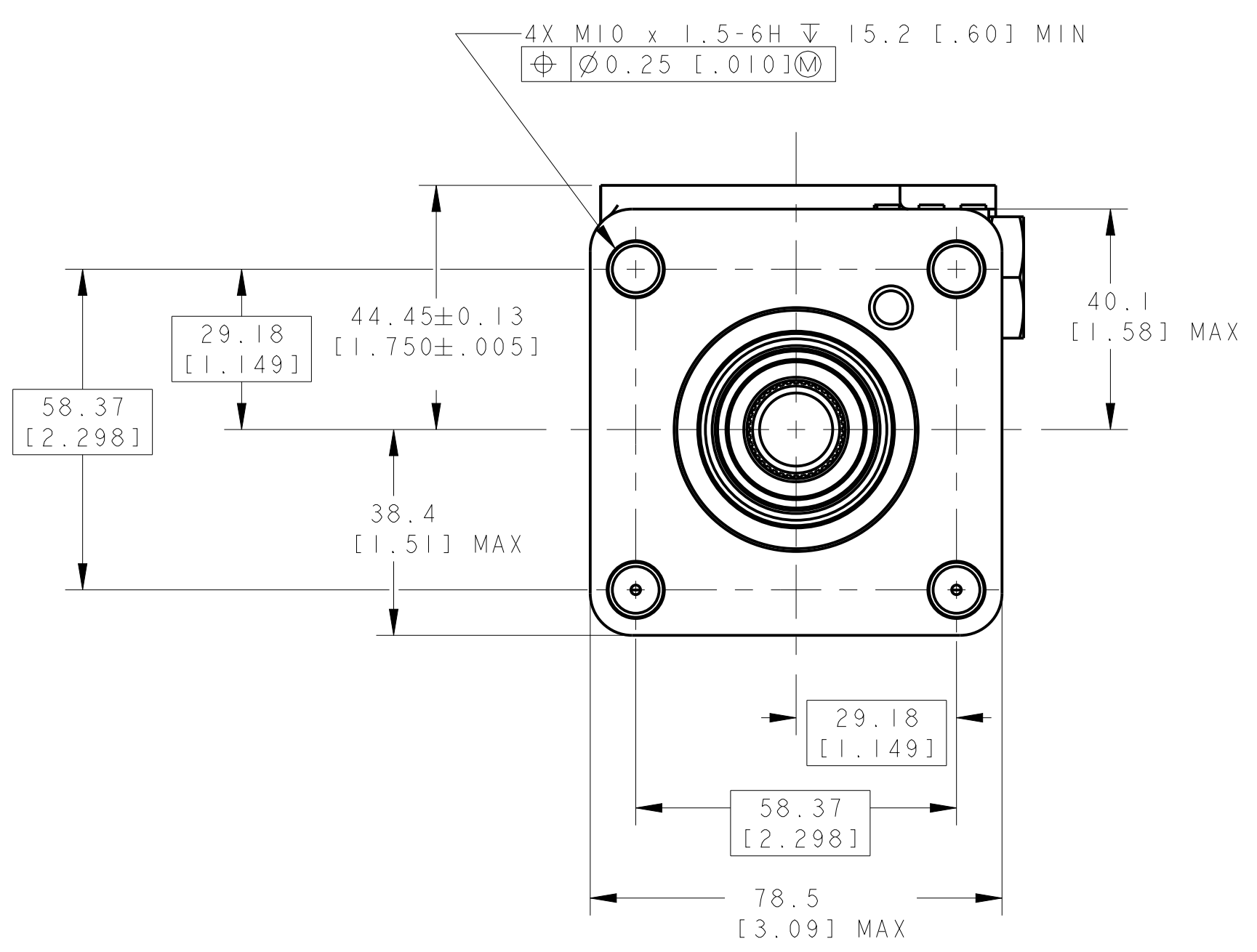
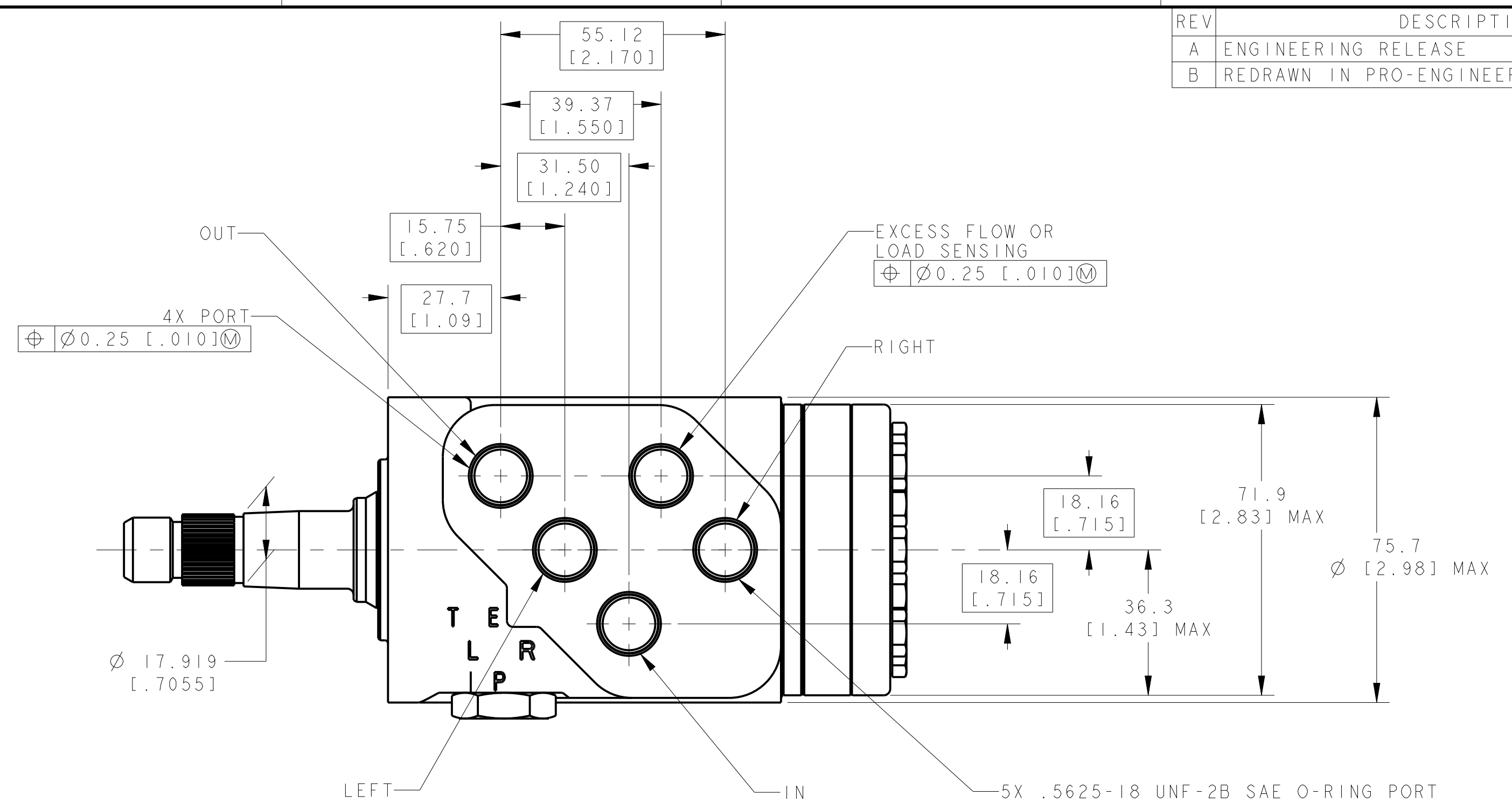


DISPLACEMENT		A MAX	
CODE	cm <sup>3</sup> /r [in <sup>3</sup> /r]		
35	31.5 [1.92]	123.4 [4.86]	
37	39.5 [2.41]	125.2 [4.93]	
39	50.8 [3.10]	124.2 [4.89]	
41	63.1 [3.85]	126.2 [4.97]	
43	73.8 [4.50]	128 [5.04]	
46	100 [6.10]	132.3 [5.21]	
48	120.0 [7.33]	135.4 [5.33]	

REV	DESCRIPTION	BY	CHK	DATE	ECN / MPS
A	ENGINEERING RELEASE	AH	AH	01/31/02	M27162
B	REDRAWN IN PRO-ENGINEER	NNB	NNB	03/26/08	0015642



40 TOOTH STRAIGHT SERRATION  
 17.48±0.03 [.688±.002] Ø MAJOR  
 16.548±.038 [.6515±.0015] Ø ROOT  
 90°±1° INCLUDED ROOT ANGLE  
 Ø 19.482±.038 [.7670±.0015]  
 OVER 2X Ø 1.32 [.052] PINS

M  
 DISTRIBUTION CODE(S)

UNLESS OTHERWISE SPECIFIED ALL DIMENSIONS ARE IN INCHES <input type="checkbox"/> MILLIMETERS (INCHES) <input type="checkbox"/>		DRAWING BASED ON ANSI Y14.5M-1982	
TOLERANCES .X ± ---- .XX ± ---- .XXX ± ---- < ± ----		THE REPRODUCTION, DISTRIBUTION, AND UTILIZATION OF THIS DOCUMENT, AS WELL AS THE COMMUNICATION OF ITS CONTENTS TO OTHERS WITHOUT EXPLICIT AUTHORIZATION IS PROHIBITED. OFFENDERS WILL BE HELD LIABLE FOR THE PAYMENT OF DAMAGES. ALL RIGHTS RESERVED IN THE EVENT OF THE GRANT OF A PATENT, UTILITY MODEL, OR DESIGN. (PER ISO 16016)	
UNSPECIFIED RADIUS ARE: ----		DRAWN AH BY/DATE 02/15/02 CHECKED AH BY/DATE 02/15/02	
UNSPECIFIED DRAFT ANGLES ARE: ----		MATERIAL/HEAT TREAT	
D SIZE		TITLE MINI SCU INSTALLATION	
DO NOT SCALE		NUMBER A-274-015	
ARITHMETICAL AVERAGE		SCALE 1/1 SHEET 1 OF 1	

