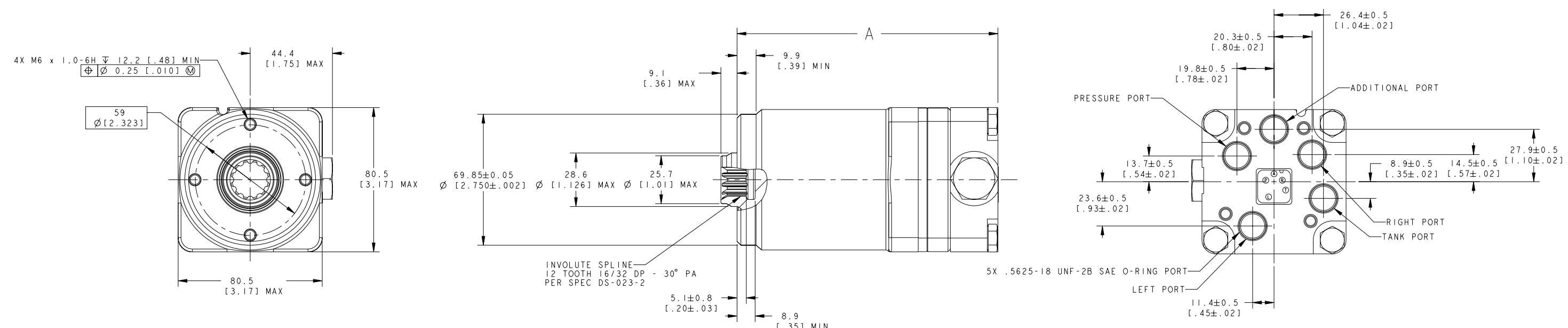


DISPLACEMENT		A MAX
CODE	cm ³ /r [in ³ /r]	
35	31.5 [1.92]	135.1 [5.32]
37	39.5 [2.41]	137.2 [5.40]
39	50.8 [3.10]	136.1 [5.36]
41	63.1 [3.85]	137.9 [5.43]
43	73.8 [4.50]	139.7 [5.50]
46	100 [6.10]	144 [5.67]
48	120 [7.33]	147.3 [5.80]
50	146 [8.90]	151.4 [5.96]

REV	DESCRIPTION	BY	CHK	DATE	ECN / MPS
A	RELEASE FOR SAMPLES AND ESTIMATES	LMD	LMD	1-25-02	M27110
B	-1)(1C) 27.7±0.5 [1.09±.02] WAS 25.4±0.5 [1.00±.02] -2)(1B) 7.1±0.5 [0.28±.02] WAS 5.8±0.5 [0.23±.02] -3)(1C) 29.2±0.5 [1.15±.02] WAS 28.4±0.5 [1.12±.02]	LMD	LMD	2-14-02	X40445
C	(7B) ADDED INLET RELIEF PLUG	LMD	LMD	1-31-02	M27161
D	(2C) CHANGED TIMING MARK PICTORIALY	LMD	LMD	3-19-02	X40739
E	-1)(2B) RIGHT PORT WAS LEFT PORT -2)(2B) LEFT POT WAS RIGHT PORT -3)(2B) ADDED PORT CALLOUT NAMEPLATE	LMD	LMD	4-8-02	X40899
F	(2B) REVISED PORT LOCATIONS	LMD	LMD	5-3-02	X41152
G	(2C) ADDED 4 TAPPED HOLES TO END CAP	LMD	LMD	5-20-02	X41272
H	ENGINEERING RELEASE	LMD	LMD	8-1-02	41899
J	(2B) CHANGED NAMEPLATE PICTORIALY	LMD	LMD	4-15-03	43998
K	ADDED DISPLACEMENT 146.cm ³ /r 8.9 in ³ /r	AH	AH	5-9-03	M30797



UNLESS OTHERWISE SPECIFIED ALL DIMENSIONS ARE IN INCHES <input type="checkbox"/> MILLIMETERS <input checked="" type="checkbox"/>		DRAWING BASED ON ANSI Y14.5M-1982	
TOLERANCES .X ± ---- .XX ± ---- .XXX ± ---- < ± ----		THE REPRODUCTION, DISTRIBUTION, AND UTILIZATION OF THIS DOCUMENT, AS WELL AS THE COMMUNICATION OF ITS CONTENTS TO OTHERS WITHOUT EXPLICIT AUTHORIZATION IS PROHIBITED. OFFENDERS WILL BE HELD LIABLE FOR THE PAYMENT OF DAMAGES. ALL RIGHTS RESERVED IN THE EVENT OF THE GRANT OF A PATENT, UTILITY MODEL, OR DESIGN. (PER ISO 10016)	
UNSPECIFIED RADII ARE:		DRAWN LMD BY/DATE 1-4-02	MATERIAL/HEAT TREAT
UNSPECIFIED DRAFT ANGLES ARE:		CHECKED LMD BY/DATE 1-4-02	TITLE
THIRD ANGLE PROJECTION <input checked="" type="checkbox"/> DO NOT SCALE		ENGRG AWS BY/DATE 2-1-02	STEERING CONTROL UNIT INSTALLATION
MICROMETERS <input type="checkbox"/> ARITHMETICAL AVERAGE <input checked="" type="checkbox"/>		NUMBER A-274-010	SCALE 1/1 SHEET 1 OF 1

M
DISTRIBUTION CODE(S)

Danfoss