

REV	DESCRIPTION	BY	CHK	DATE	ECN
A	ENGINEERING RELEASE	MLL	JLY	11/16/95	M14452
B	-1)(6D)ADDED NOTE "H" ON BODY SECTION... -2)DELETED BOLT MARKINGS -3)UPDATED BACKPLATE	WSM	WSM	11/27/98	31483
C	ADD NOTE PAINT BLACK PER SPEC 209-13B	WSM	WSM	4/27/00	M23379

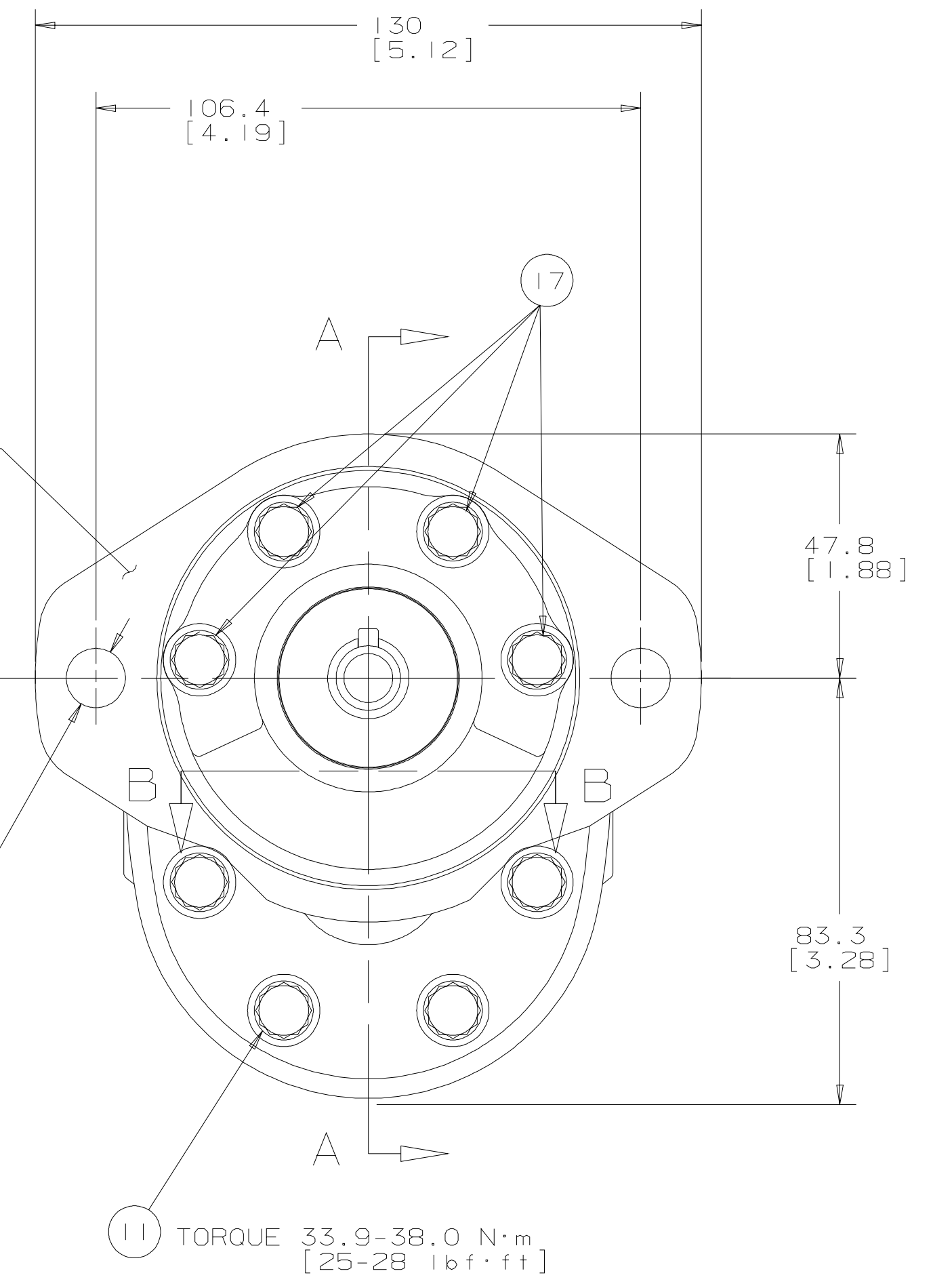
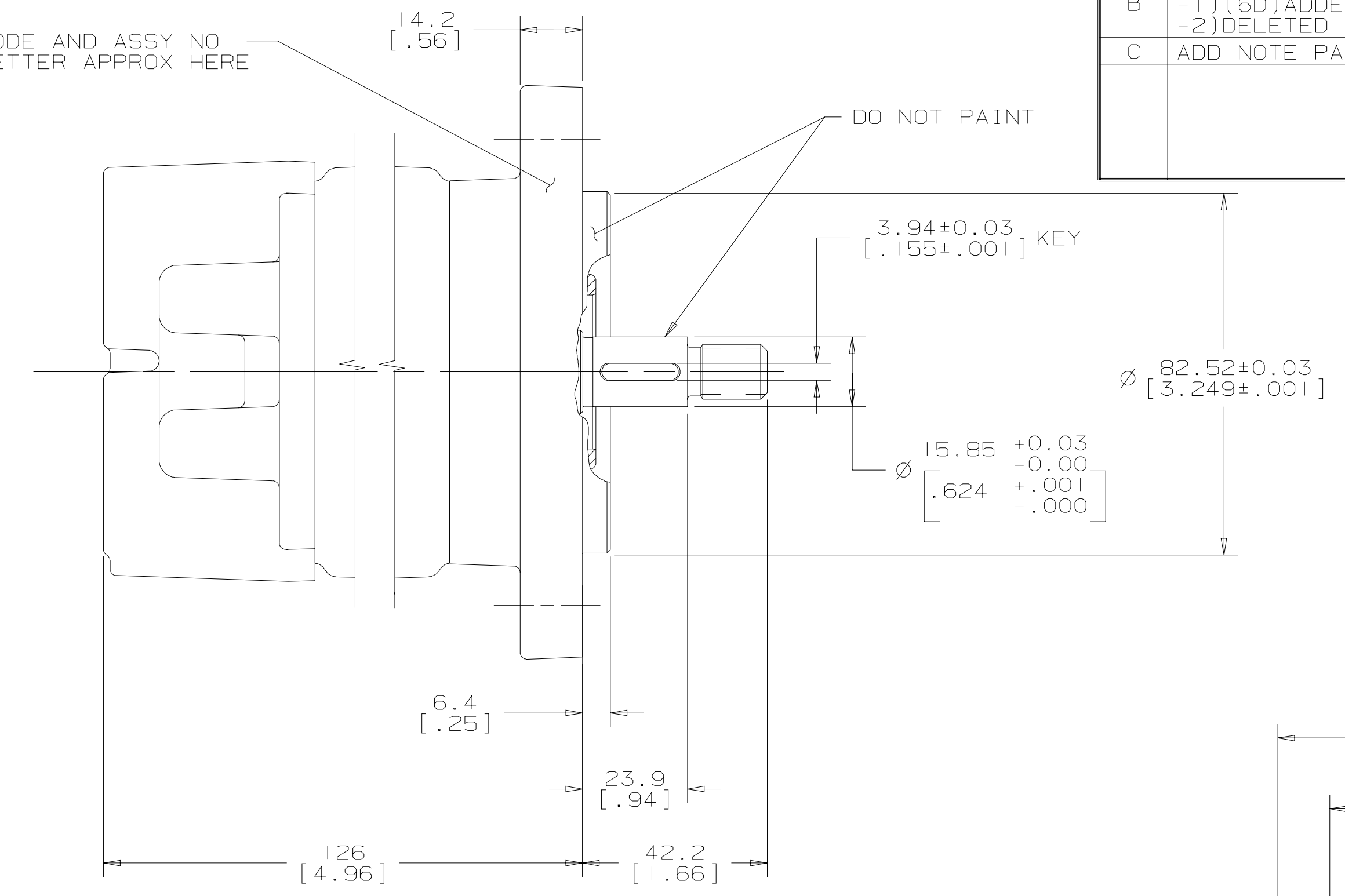
NOTE
1 PAINT BLACK PER SPEC 209-13B

MARK SERIAL CODE AND ASSY NO WITH CHANGE LETTER APPROX HERE

DO NOT PAINT

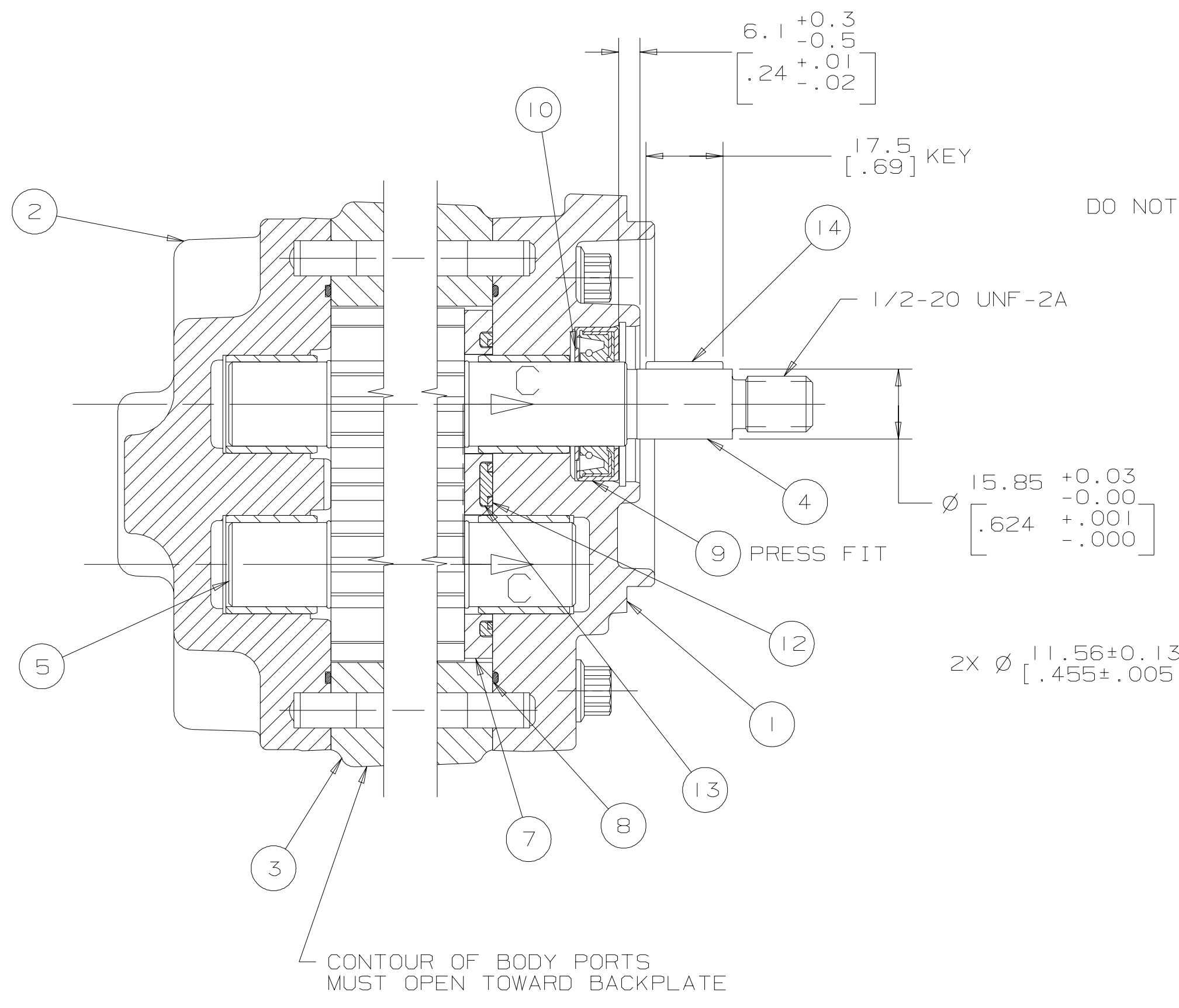
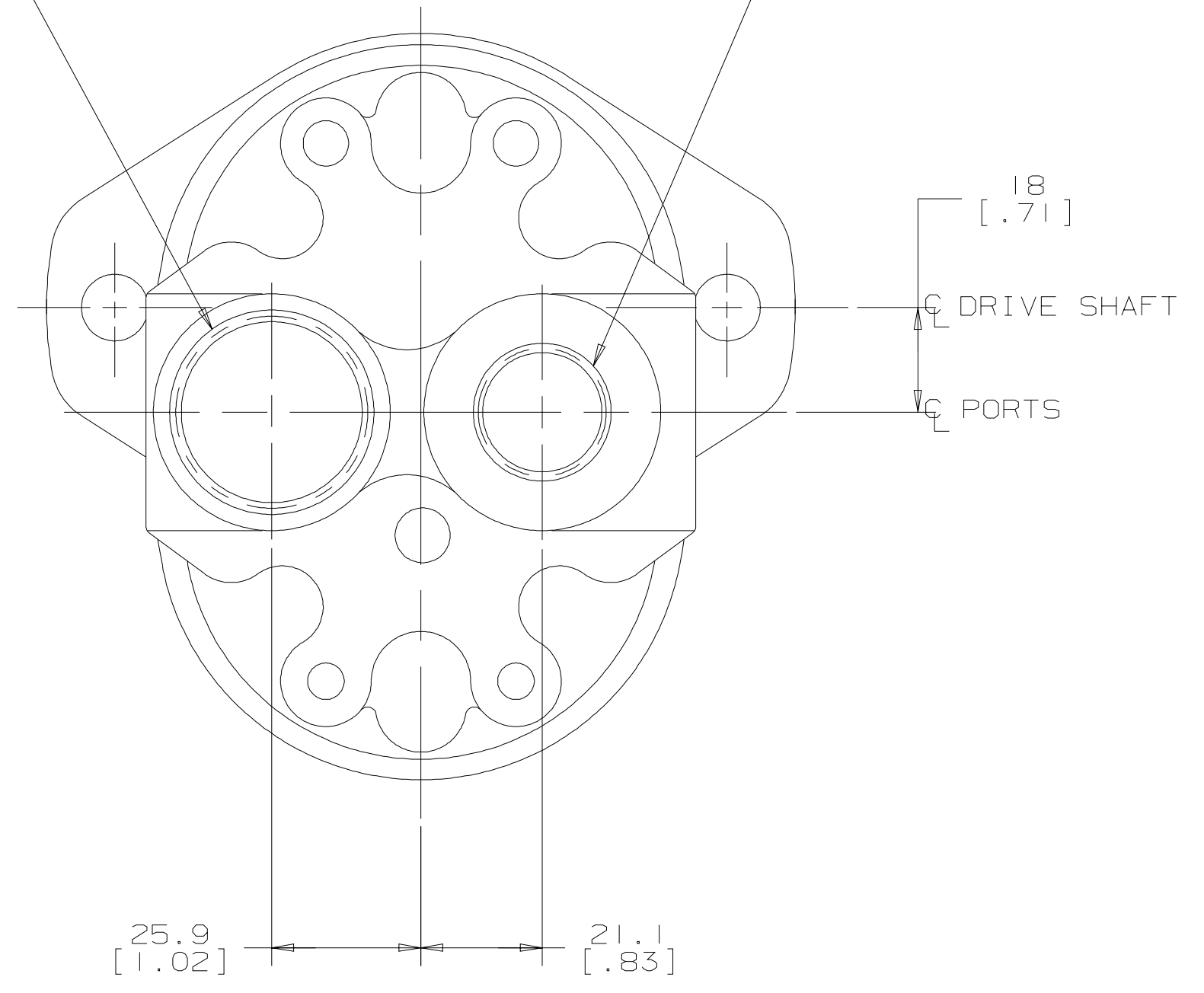
40 PLUG INSTALLED IN HOLE WITH RAISED LETTER 'R'

SECTION B-B



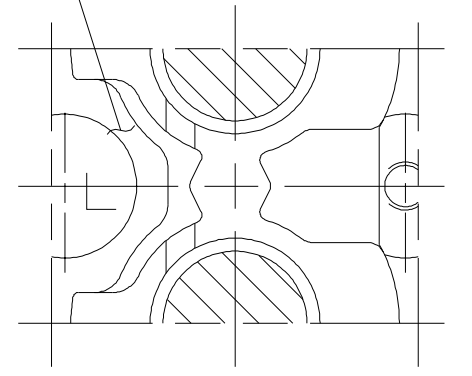
SUCTION PORT
1 5/16-12 UN-2B
SAE O-RING PORT

PRESSURE PORT
7/8-14 UNF-2B
SAE O-RING PORT



SECTION A-A

SUCTION SIDE



SECTION C-C

UNLESS OTHERWISE SPECIFIED ALL DIMENSIONS ARE IN INCHES <input type="checkbox"/> MILLIMETERS <input checked="" type="checkbox"/>	DRAWING BASED ON ANSI Y14.5M-1982		
	THE REPRODUCTION, DISTRIBUTION, AND UTILIZATION OF THIS DOCUMENT, AS WELL AS THE COMMUNICATION OF ITS CONTENTS TO OTHERS WITHOUT EXPLICIT AUTHORIZATION IS PROHIBITED. OFFENDERS WILL BE HELD LIABLE FOR THE PAYMENT OF DAMAGES. ALL RIGHTS RESERVED IN THE EVENT OF THE GRANT OF A PATENT, UTILITY MODEL, OR DESIGN. (PER ISO 16016)		
TOLERANCES .X +--- .XX +REF .XXX +ONLY < +---	DRWN BY/DATE MLL 04/13/96	MATERIAL/HEAT TREAT	
UNSPECIFIED RADI ARE	CHEKED BY/DATE RJA 05/30/96	TITLE	
UNSPECIFIED DRAFT ANGLES ARE	ENGR BY/DATE RJA 05/30/96	METALLURGY	GEAR PUMP ASSY/INSTALLATION
DRAWING FORMAT CAD <input checked="" type="checkbox"/> MANUAL <input type="checkbox"/>	THIRD ANGLE PROJECTION	MICROINCHES <input type="checkbox"/> MICROMETERS <input checked="" type="checkbox"/> MICROINCHES <input type="checkbox"/>	NUMBER C26015-LAA
	DO NOT SCALE	ARTHEMATICAL AVERAGE	SCALE 1/1 SHEET 1 OF 1