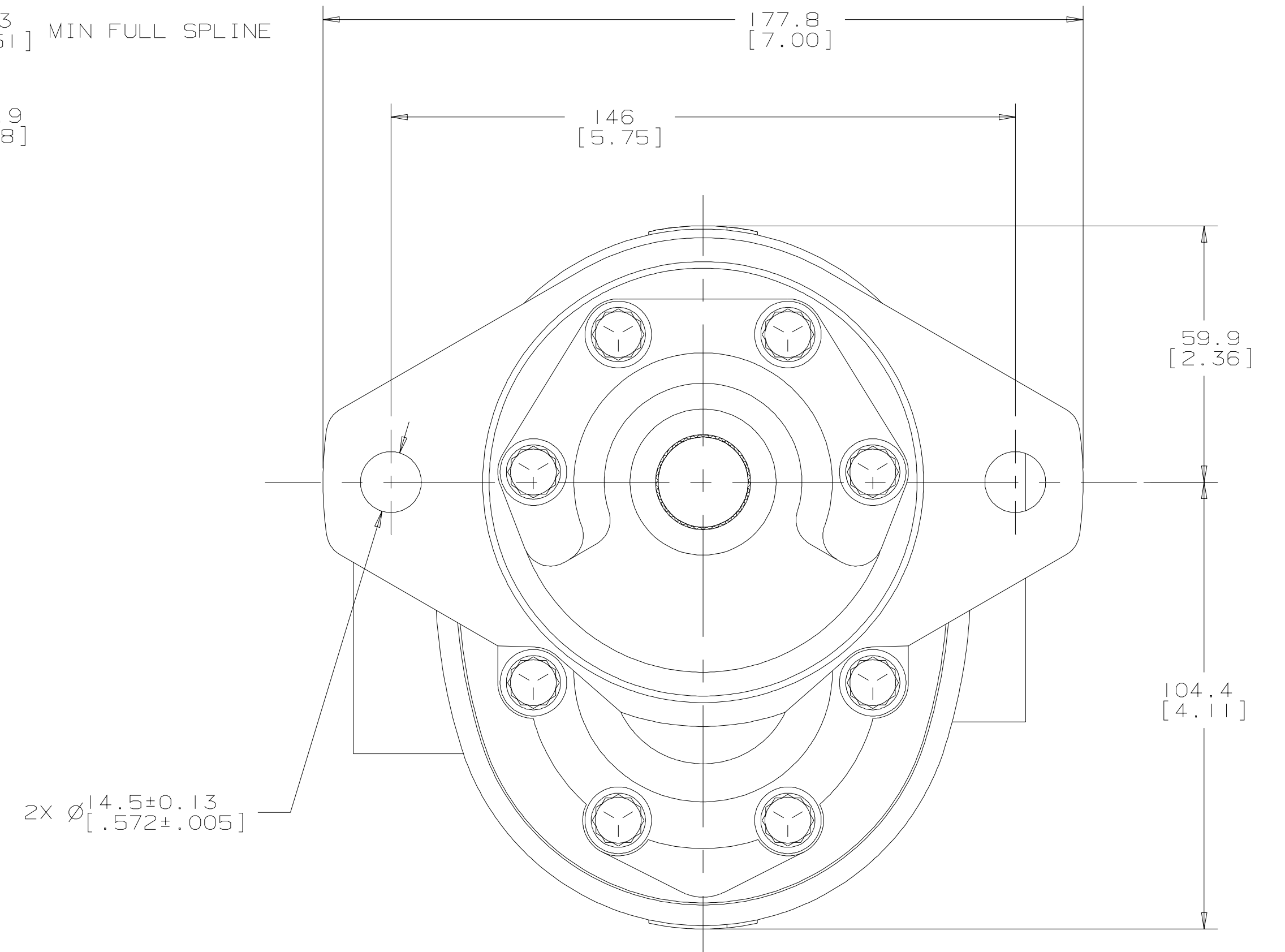
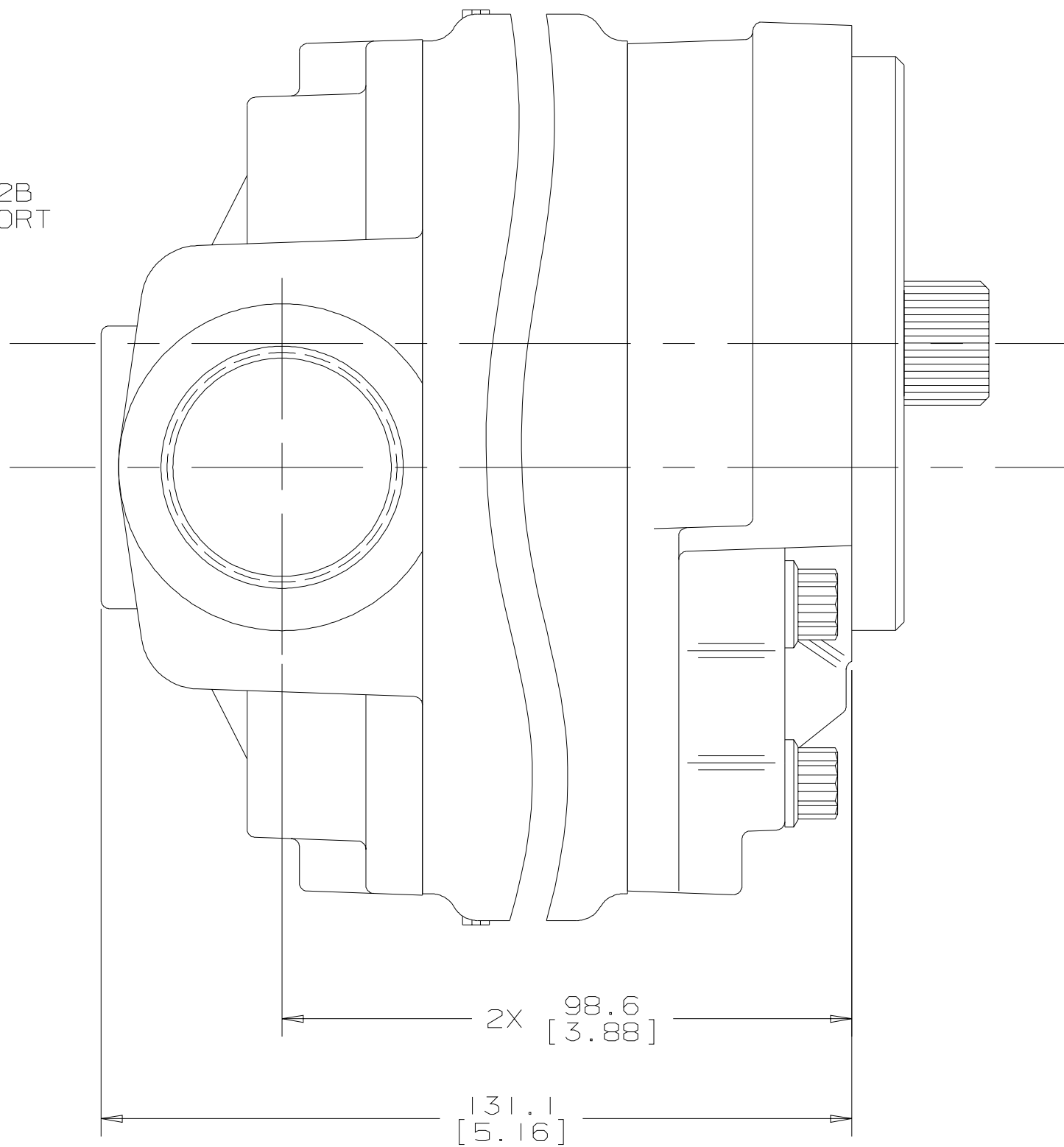
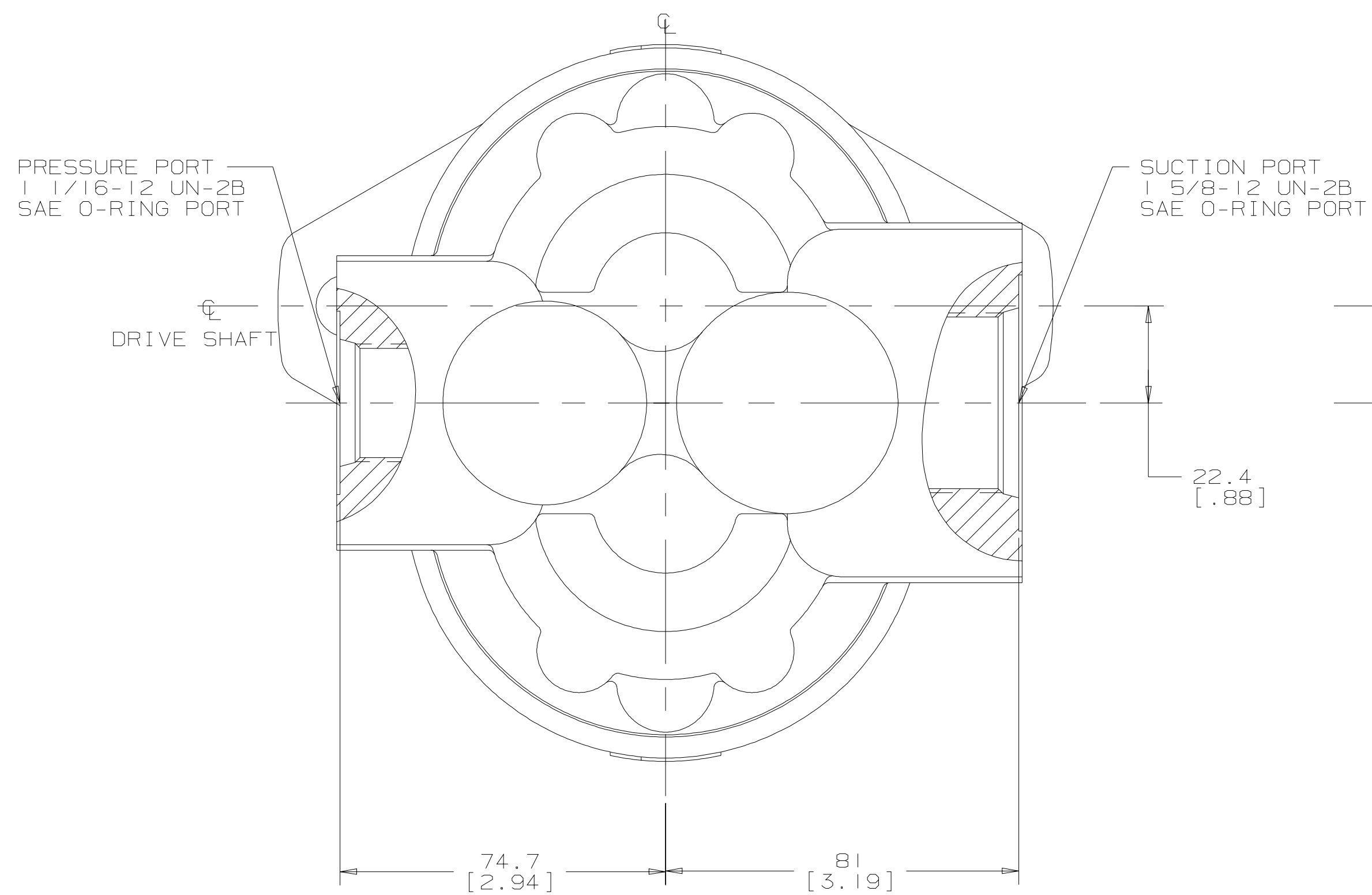
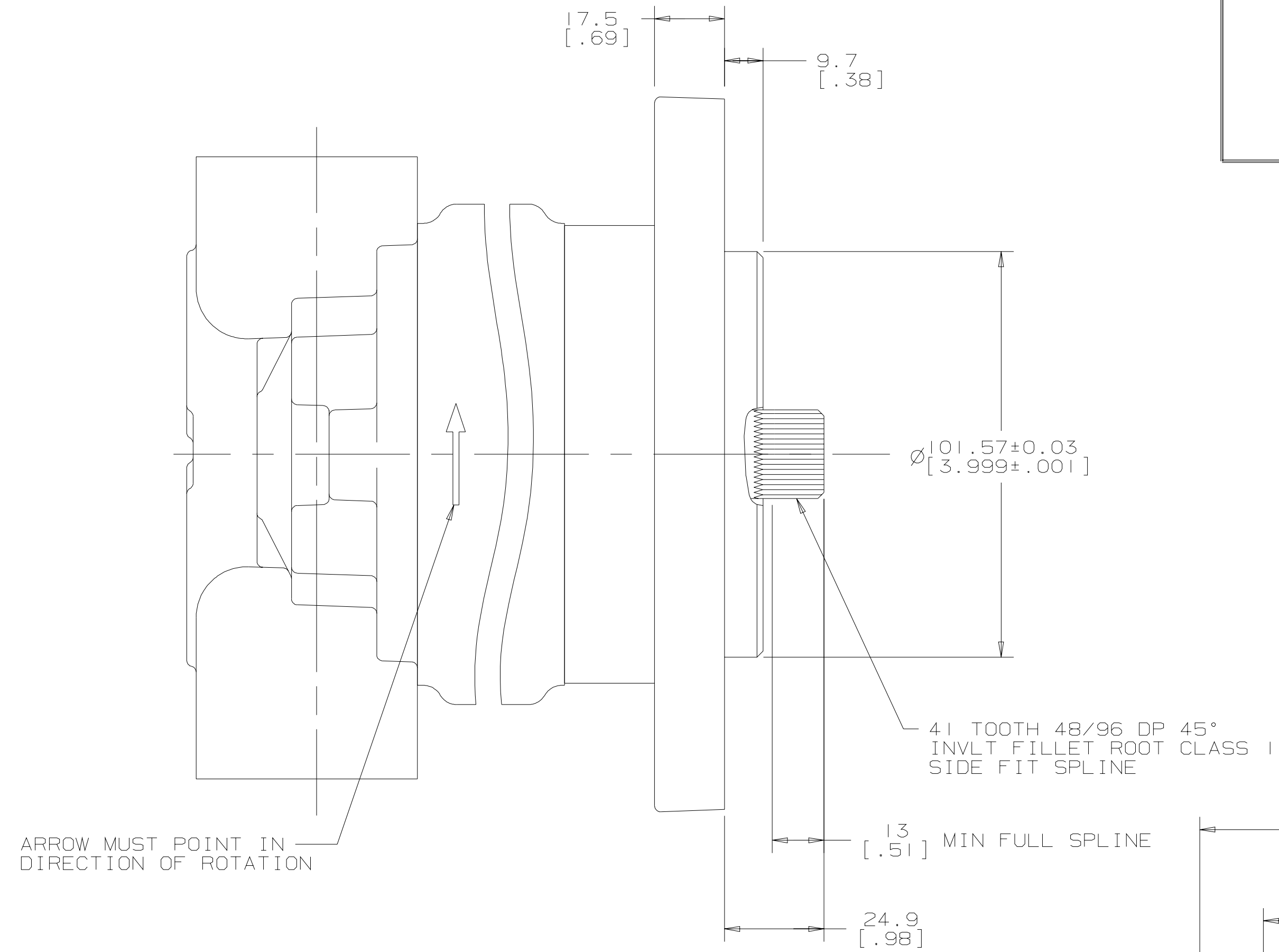


PRODUCT LINE : GP
 PRODUCT NO. : 25504-RAR
 DESCRIPTION:
 ABF CODE TITLE - L2 GEAR PUMP (SINGLE UNIT)
 A UNIT TYPE - PLAIN
 R INPUT ROTATION - RIGHT-HAND ROTATION (CW)
 04 DISPLACEMENT - 38.2 cm³/r [2.33 in³/r]
 AD INPUT SHAFT - 41 TOOTH 48/96 SPLINE, MIN FULL SPLINE 12.9 [.51], SHAFT EXT 24.9 [.98]
 01 PORTS SIZES & LOCATIONS-BACKPLATE - PLAIN: SUCTION PORT 1 5/8-12 UN-2B SAE O-RING PORT; PRESSURE PORT 1 1/16-12 UN-2B SAE O-RING PORT
 00 PRIORITY FLOW DIVIDER SETTING - NO FLOW SETTING
 00 RELIEF VALVE FULL FLOW SETTING - NO RELIEF VALVE SETTING
 0 AUXILIARY MOUNTING FEATURE (REAR) - NO AUXILIARY MOUNTING FEATURES
 0 TEST DATA - GENERIC
 00 SPECIAL FEATURES - NO SPECIAL FEATURES
 00 PAINT - NO PAINT
 0 IDENTIFICATION - STANDARD
 A DESIGN CODE - A

NOTES:
 PUMP DATA
 RATED PRESSURE ----- 248.2 bar [3600 lbf/in²]
 MAX PRESSURE ----- 275.8 bar [4000 lbf/in²]
 MAX CONTINUOUS INLET TEMP ----- 107 C [225 F]
 MAX CONTINUOUS INLET VACUUM ----- .203 bar [6 inHg]
 RATED SPEED ----- 2750 r/min

REV	DESCRIPTION	BY	CHK	DATE	ECN
A	ENGINEERING RELEASE	LMD	MLL	4/15/97	M17289



UNLESS OTHERWISE SPECIFIED ALL DIMENSIONS ARE IN INCHES <input type="checkbox"/> MILLIMETERS <input checked="" type="checkbox"/>		DRAWING BASED ON ANSI Y14.5M-1982	
TOLERANCES .X ±----- .XX ±REF .XXX ±ONLY ∠-----		THE REPRODUCTION, DISTRIBUTION, AND UTILIZATION OF THIS DOCUMENT, AS WELL AS THE COMMUNICATION OF ITS CONTENTS TO OTHERS WITHOUT EXPLICIT AUTHORIZATION IS PROHIBITED. OFFENDERS WILL BE HELD LIABLE FOR THE PAYMENT OF DAMAGES. ALL RIGHTS RESERVED IN THE EVENT OF THE GRANT OF A PATENT, UTILITY MODEL, OR DESIGN. (PER ISO 16016)	
UNSPECIFIED RADI ARE -----		DRWN BY/DATE LMD 10-29-97	MATERIAL/HEAT TREAT
UNSPECIFIED DRAFT ANGLES ARE -----		CHECKED BY/DATE MLL 1-8-98	TITLE GEAR PUMP INSTALLATION
DRAWING FORMAT CAD <input checked="" type="checkbox"/> MANUAL <input type="checkbox"/>		ENGR BY/DATE RJA 1-10-98	
THIRD ANGLE PROJECTION		METALLURGY BY/DATE -----	
DO NOT SCALE		ARITHMETICAL AVERAGE	
		SCALE 1/1 SHEET 1 OF 1	

