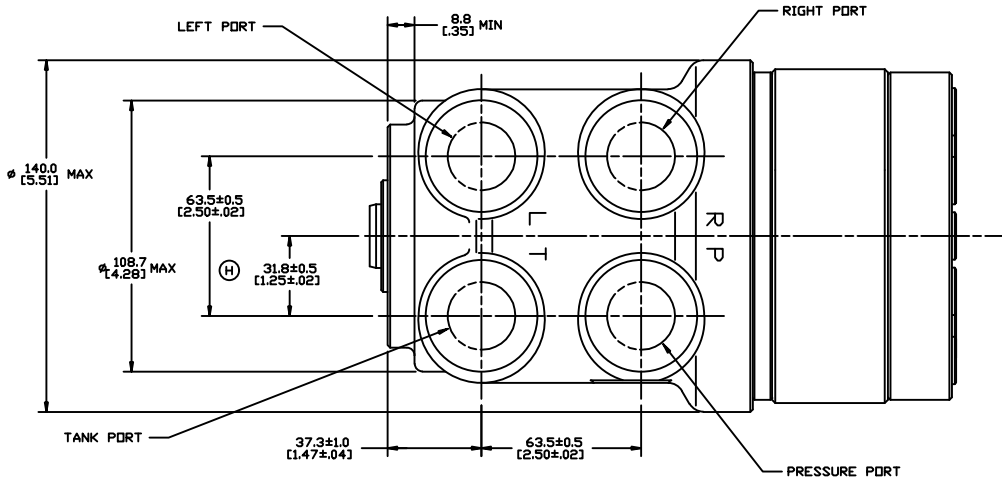
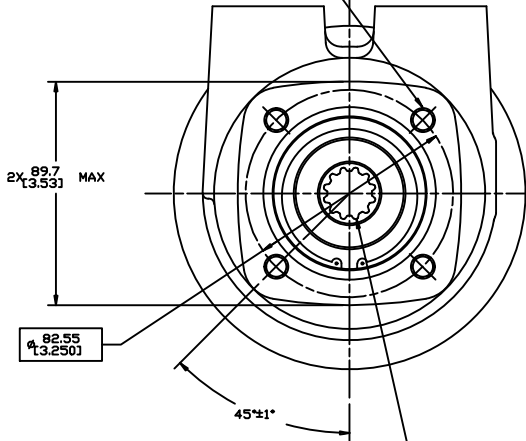


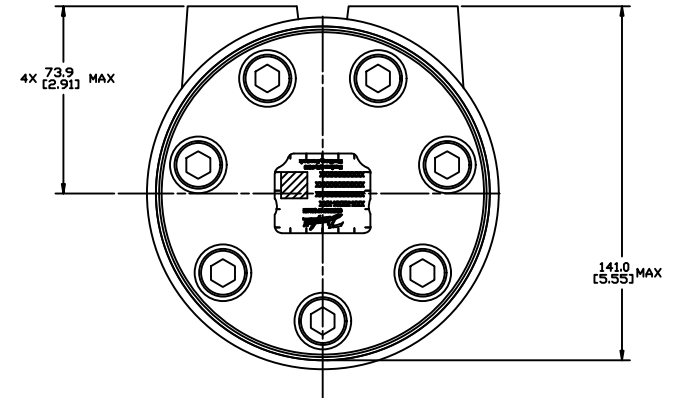
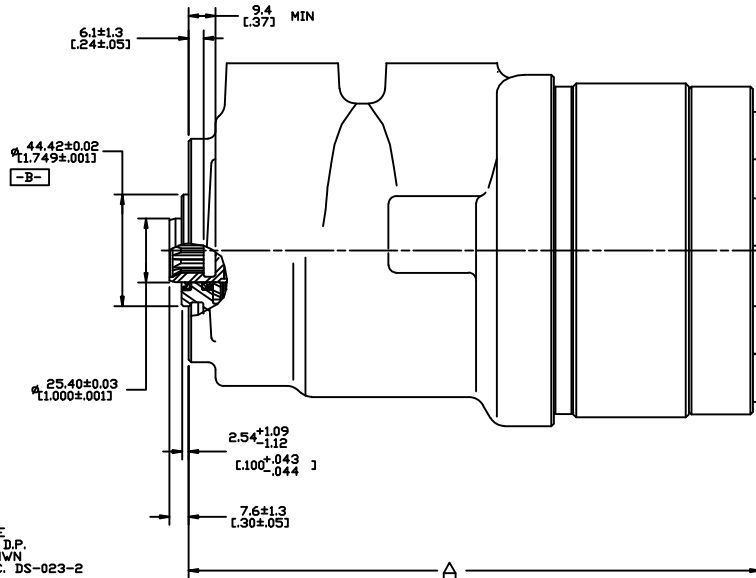
DISPL. CODE	DISPLACEMENT mL/r	IN <sup>3</sup> /r	A MAX
62	492	30	205.3[8.08]
65	623	38	211.4[8.32]
67	787	48	219.0[8.62]
69	984	60	228.4[8.99]
71	1230	75	239.8[9.44]
74	1557	95	255.1[10.04]



4X  $\frac{3}{8}$ -16UNC-2B  $\nabla$  15.2[.60] MIN  
 $\phi$  0.38[.015] B  
 $\phi$  0.25[.010]  
 90°



INVOLUTE SPLINE  
 12 TOOTH 16/32 D.P.  
 30° P.A. =D SHOWN  
 PER ENGRG. SPEC. DS-023-2



REV	DESCRIPTION	BY	CHK	DATE	ECN
A	ENGINEERING RELEASE	DAB		2-5-91	20057
B	-1X(7D)Ø140.0[5.51]MAX WAS Ø134.1[5.28]MAX -2X(1B)Ø141.0[5.55]MAX WAS 138.4[5.45]MAX -3X(3C)4X 73.9[2.91]MAX WAS 4X 71.4[2.81]MAX	AGJ		11-5-91	21122
C	(8D) REVISED DISPLACEMENT CODES	RRV		9-1-92	22745
D	-1X(2C)REMOVED GERDITOR TAB -2X(2C)REMOVED 25°/27°,Ø1/5.4 MAX 2.90/73.7 MAX	BT		12-22-92	23334
E	-1X(4B) REMOVED NOTE: 1 O-RING PORTS PER DS-010 -2X(4C)PRESSURE PORT WAS 4X 1 1/16 -12-UN-2B O-RING PORT -3) ADDED PORT CALLOUTS	DLR		4-5-94	25381
F	PICTORIAL CHANGE TO CAPSCREWS	KLQ		10-29-96	28764
G	(2B) PICTORIAL CHANGE TO NEW NAMEPLATE	LMD		5-4-99	32543
H	(6D) DIM 31.8±0.5 [1.25±0.02] WAS 31.8±0.3 [1.25±0.01]	VUG MJB		11-25-11	0052283

UNLESS OTHERWISE SPECIFIED, ALL DIMENSIONS ARE IN:		DRAWING BASED ON ANSI Y14.5M-1982	
INCHES	<input checked="" type="checkbox"/>	THE REPRODUCTION, DISTRIBUTION AND UTILIZATION OF THIS DOCUMENT AS WELL AS THE COMMUNICATION OF ITS CONTENTS TO OTHER WITHOUT EXPLICIT AUTHORIZATION IS PROHIBITED. OFFENSES WILL BE HELD LIABLE FOR THE PAYMENT OF DAMAGES. ALL RIGHTS RESERVED IN THE EVENT OF THE GRANT OF A PATENT, UTILITY MODEL OR DESIGN OVER 100 WORDS	
MILLIMETERS	<input type="checkbox"/>		
TOLERANCES			
XX ±	----	DATE	DAB 2-7-91
XX #	----	BY	KQ 2-28-91
XX <	----	DATE	DH 3-1-91
UNSPECIFIED RADI AND	----	TITLE	SERIES 25 SCU OUTLINE
UNSPECIFIED DRAFT ANGLES ARE	----	REVISIONS	NUMBER
DRAWN FROM	----	DO NOT SCALE	SCALE 1/1 SHEET 1 OF 1