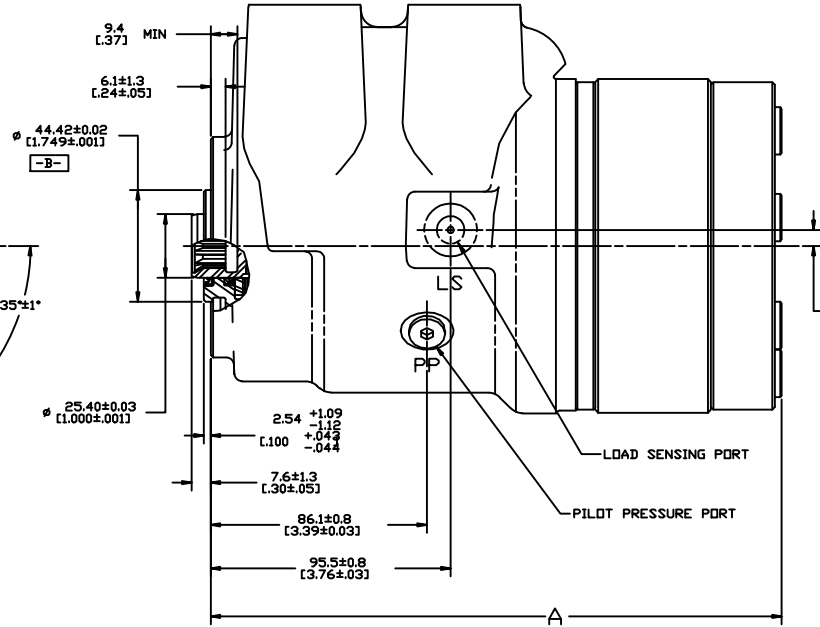
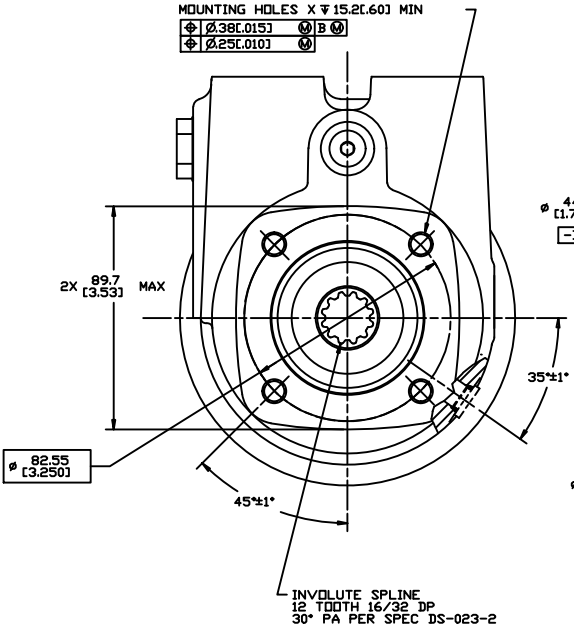
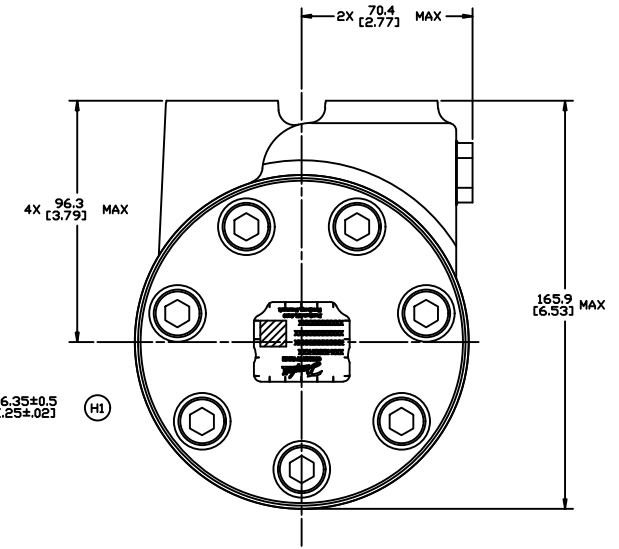
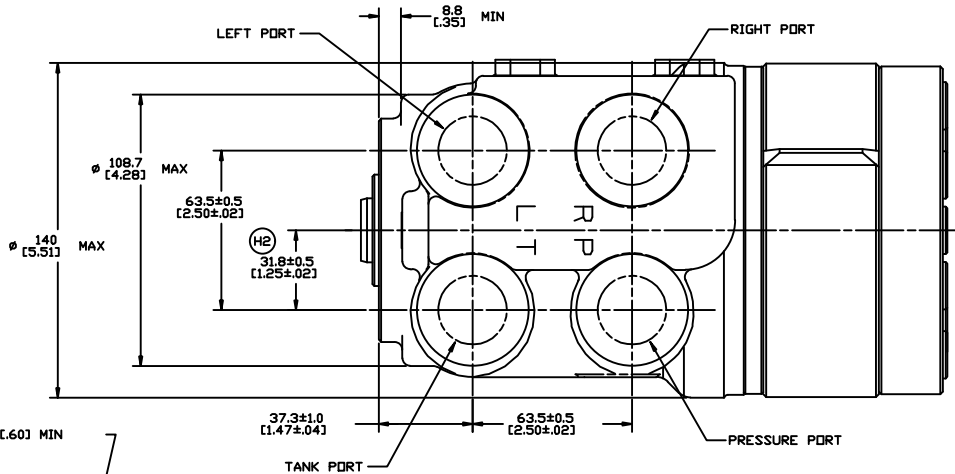


DISPL. CODE	DISPLACEMENT cm ³ /r [in ³ /r]	A	MAX
62	492	30	205.3[8.08]
65	623	38	211.4[8.32]
67	787	48	219[8.62]
69	984	60	228.4[8.99]
71	1230	75	239.8[9.44]
74	1557	95	255.1[10.04]

SYM	REVISION	BY	DATE	ECN
A	RELEASE FOR SAMPLES AND ESTIMATE	AGJ	10-24-93	X5660
B	REVISED HOUSING PICTORIALLY	LMD	6-2-93	M8256
C	ENGINEERING RELEASE	LJK	2-14-94	M11146
D	SHOW PORTS IN PHANTOM	DLR	1-28-94	M9202
E	MOUNTING HOLES X... WAS .375-16UNC-2B	DLR	07-11-94	M12092
F	-1) PICTORIAL CHANGE TO CAPSCREWS -2) REMOVE 26*±1* -3) REMOVE 5.4[2.1] MAX -4) REMOVE 73.7[2.9] MAX	KLK	10-29-96	28764
G	(2B) PICTORIAL CHANGE TO NEW NAMEPLATE	LMD	6-4-99	32543
H	-1) (3B) DIM 6.35±0.5 [2.5±0.2] WAS 6.35±0.3 [1.25±0.1] -2) (6D) DIM 31.8±0.5 [1.25±0.2] WAS 31.8±0.3 [1.25±0.1]	VUG	11-29-11	0052283



UNLESS OTHERWISE SPECIFIED ALL DIMENSIONS ARE IN		DRAWING BASED ON ANSI Y14.5M-1982	
INCHES	<input type="checkbox"/>	THE REPRODUCTION, DISTRIBUTION AND UTILIZATION OF THIS DOCUMENT AS WELL AS THE COMMUNICATION OF ITS CONTENTS TO OTHER WITHOUT EXPLICIT AUTHORIZATION IS PROHIBITED. OFFENDERS WILL BE HELD LIABLE FOR THE PAYMENT OF DAMAGES. ALL RIGHTS RESERVED IN THE EVENT OF THE GRANT OF A PATENT, UTILITY MODEL OR DESIGN.	
MILLIMETERS	<input checked="" type="checkbox"/>	<i>Danfoss</i>	
TOLERANCES			
FX ±	----		
FX #	----		
FX #	----		
UNSPECIFIED RADI ARE	----		
UNSPECIFIED DRAFT ANGLES ARE	----		
DRAWING FORMAT	----		
DO NOT SCALE	<input checked="" type="checkbox"/>		
MATERIAL/TREAT			
BY	A. J. J. J.		
DATE	2-28-92		
BY	LMD		
DATE	1-8-93		
BY	DLR		
DATE	2-23-93		
BY	DLR		
DATE	1-28-94		
BY	KLK		
DATE	10-29-96		
BY	LMD		
DATE	6-4-99		
BY	VUG		
DATE	11-29-11		
SERIES 25 SCU OUTLINE		A-93-034	
SCALE 1/1		SHEET 1 OF 1	

GMRS

A