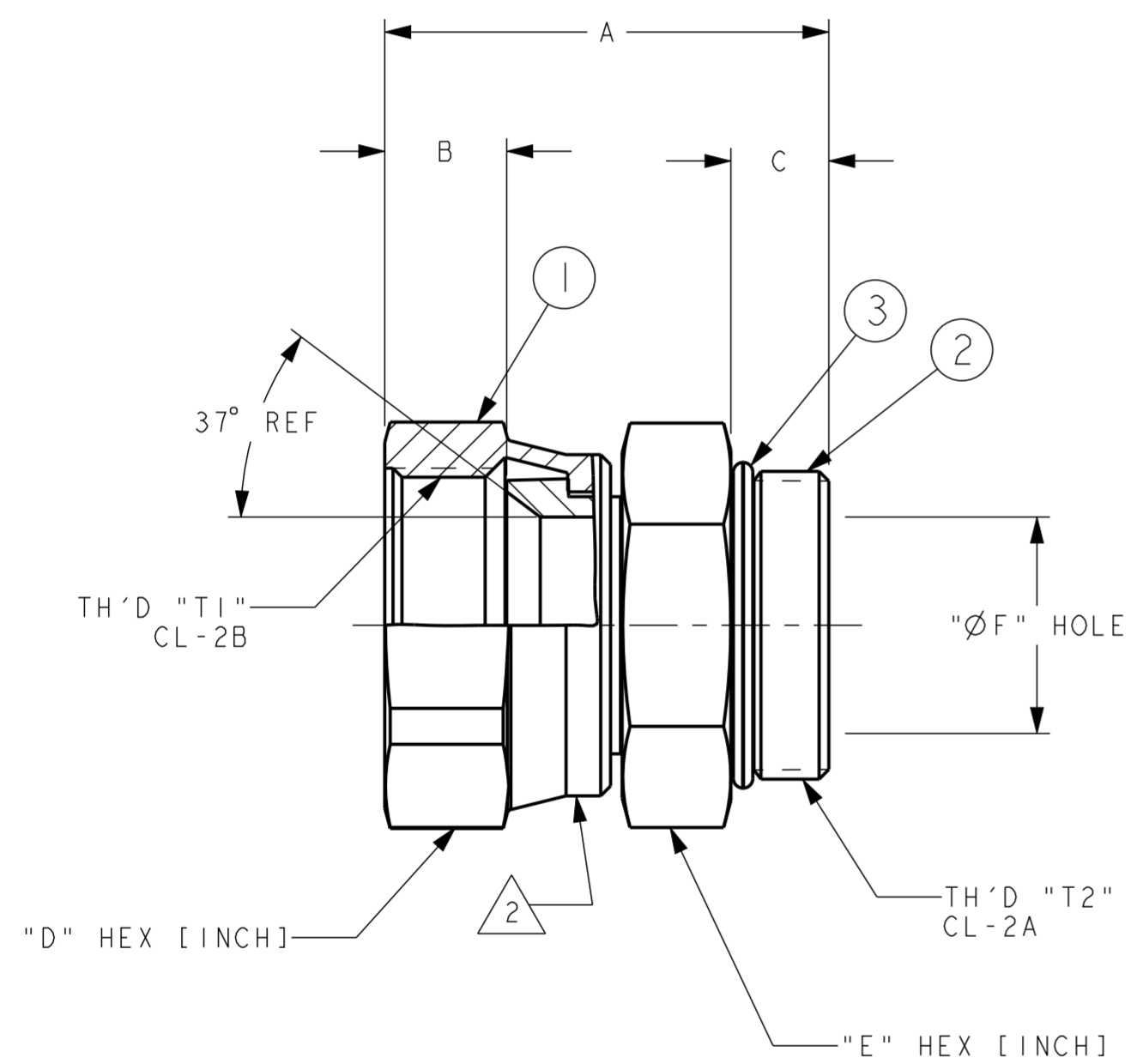


AEROQUIP PART NUMBER	WEATHERHEAD PART NUMBER	TH'D "T1"	TH'D "T2"	A REF	B REF	C REF	D REF	E REF	ØF REF
2266-4-4S	C5216X4X4	7/16-20	7/16-20	32.5 [1.28]	9.4 [.37]	9.1 [.36]	9/16	9/16	4.4 [.17]
2266-6-4S	C5216X4X6	7/16-20	9/16-18	33.5 [1.32]	9.4 [.37]	9.9 [.39]	9/16	11/16	4.4 [.17]
2266-6-6S	C5216X6X6	9/16-18	9/16-18	35.6 [1.40]	10.2 [.40]	9.9 [.39]	11/16	11/16	7.6 [.30]
2266-6-8S	C5216X8X6	3/4-16	9/16-18	41.4 [1.63]	11.2 [.44]	9.9 [.39]	7/8	11/16	7.6 [.30]
2266-8-6S	C5216X6X8	9/16-18	3/4-16	36.8 [1.45]	10.2 [.40]	11.2 [.44]	11/16	7/8	7.6 [.30]
2266-8-8S	C5216X8X8	3/4-16	3/4-16	39.4 [1.55]	11.2 [.44]	11.2 [.44]	7/8	7/8	9.9 [.39]
2266-10-10S	C5216X10X10	7/8-14	7/8-14	43.7 [1.72]	13.2 [.52]	12.7 [.50]	1	1	12.2 [.48]
2266-12-12S	C5216X12X12	1 1/16-12	1 1/16-12	48.3 [1.90]	14.5 [.57]	15 [.59]	1 1/4	1 1/4	15.5 [.61]

REVISIONS			
REV	DESCRIPTION	DATE	APPROVED
K	REDRAWN & REDESIGNED. UPDATED TO DANFOSS FORMAT AND DIMENSION STYLE. 1) ADDED -8-6, -6-4, & -4-4 SIZES. 2) ADDED WEATHERHEAD PART NUMBERS COLUMN.	2015-07-07 SMP/SMP	0109884-ECO
L	CREATED ALTERNATIVE LANGUAGE DRAWING. 1) ADDED ALTERNATIVE LANGUAGE TEXT BLOCK.	2019-11-27 DMK/VSP	CO-0196606

(K1) (K2)



(L) ALTERNATIVE LANGUAGE DRAWING ALL SHEETS MUST BE IDENTICAL AND WITH SAME REVISION LEVEL

METRIC

(K1)	(K2)	(1)	(2)	(3)
2266-12-12S	C5216X12X12	210204-12S	FF1019-1212S	22617-12
2266-10-10S	C5216X10X10	210204-10S	FF1019-1010S	22617-10
2266-8-8S	C5216X8X8	210204-8S	FF1019-0808S	22617-8
2266-8-6S	C5216X6X8	210204-6S	FF1019-0806S	22617-8
2266-6-8S	C5216X8X6	210204-8S	FF1019-0608S	22617-6
2266-6-6S	C5216X6X6	210204-6S	FF1019-0606S	22617-6
2266-6-4S	C5216X4X6	210204-4S	FF1019-0604S	22617-6
2266-4-4S	C5216X4X4	210204-4S	FF1019-0404S	22617-4
AEROQUIP PART NUMBER	WEATHERHEAD PART NUMBER	(1) NUT	(2) ADAPTER BODY	(3) O' RING

LIST OF MATERIALS

ITEM NO.	MATERIAL
1	STEEL
2	STEEL
3	NITRILE (BUNA-N)

DRAWN S. PRADHAN	<b>FLUID CONVEYANCE DIVISION</b> DRAWING TITLE <b>ADAPTER</b> SAE 37° SWIVEL TO SAE MALE O'RING BOSS			
CHECKED D. SHEWALE				
APPROVED J. SNYDER				
RELEASE DATE 2015-07-07				
0109884-ECO				
THIRD ANGLE PROJECTION	SIZE A2	DRAWING NUMBER 2266-S	REV L	
	SCALE NONE	DIST U	CAGE CODE 01276	SHEET 1 OF 2
<small>THE REPRODUCTION, DISTRIBUTION AND UTILIZATION OF THIS DOCUMENT, AS WELL AS THE COMMUNICATION OF ITS CONTENTS TO OTHERS WITHOUT EXPLICIT AUTHORIZATION IS PROHIBITED. OFFENDERS WILL BE HELD LIABLE FOR THE PAYMENT OF DAMAGES. ALL RIGHTS RESERVED IN THE EVENT OF THE GRANT OF A PATENT, UTILITY MODEL OR DESIGN. (PER ISO 18016)</small>				

(2) CRIMP NUT PER ACES 2813.

1. DIMENSIONS ARE IN MILLIMETERS [INCHES].