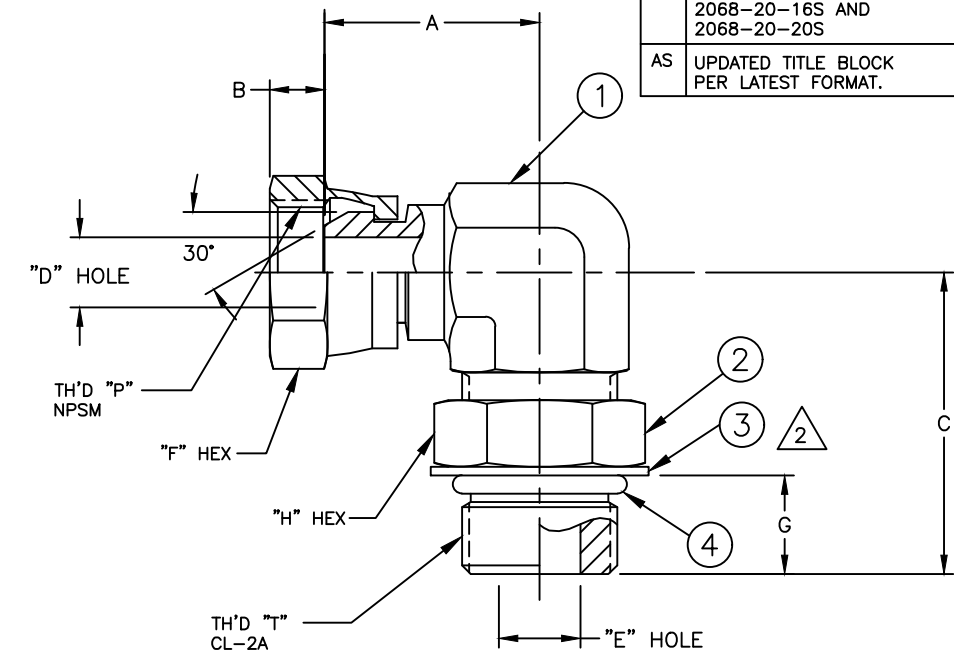


PART NUMBER	TH'D "P"	TH'D "T"	A REF	B REF	C REF	D REF	E REF	F REF	G MIN	H REF	WEATHERHEAD PART NUMBER
2068-4-4S	1/4-18	7/16-20	23.1 [.91]	7.1 [.28]	29.5 [1.16]	5.6 [.22]	4.3 [.17]	11/16	9.3 [.368]	9/16	9515X4X4
2068-4-6S	1/4-18	9/16-18	23.1 [.91]	7.1 [.28]	31 [1.22]	5.6 [.22]	7.6 [.30]	11/16	10.5 [.415]	11/16	9515X6X4
2068-6-4S	3/8-18	7/16-20	27.7 [1.09]	6.4 [.25]	33.8 [1.33]	8.6 [.34]	4.3 [.17]	7/8	9.3 [.368]	9/16	9515X4X6
2068-6-6S	3/8-18	9/16-18	27.7 [1.09]	6.4 [.25]	34.3 [1.35]	8.6 [.34]	7.6 [.30]	7/8	10.5 [.415]	11/16	9515X6X6
2068-6-8S	3/8-18	3/4-16	27.7 [1.09]	6.4 [.25]	37.6 [1.48]	8.6 [.34]	9.9 [.39]	7/8	12 [.472]	7/8	9515X8X6
2068-6-10S	3/8-18	7/8-14	27.7 [1.09]	6.4 [.25]	42.4 [1.67]	8.6 [.34]	12.2 [.48]	7/8	13.8 [.543]	1	9515X10X6
2068-8-6S	1/2-14	9/16-18	27.4 [1.08]	8.4 [.33]	38.4 [1.51]	11.7 [.46]	7.6 [.30]	1	10.5 [.415]	11/16	9515X6X8
2068-8-8S	1/2-14	3/4-16	27.4 [1.08]	8.4 [.33]	38.4 [1.51]	11.7 [.46]	9.9 [.39]	1	12 [.472]	7/8	9515X8X8
2068-8-10S	1/2-14	7/8-14	27.4 [1.08]	8.4 [.33]	42.4 [1.67]	11.7 [.46]	12.2 [.48]	1	13.8 [.543]	1	9515X10X8
2068-8-12S	1/2-14	1 1/16-12	30 [1.18]	8.4 [.33]	50 [1.97]	11.7 [.46]	15.5 [.61]	1	16.2 [.636]	1 1/4	9515X12X8
2068-12-8S	3/4-14	3/4-16	33 [1.30]	8.9 [.35]	41.9 [1.65]	16.3 [.64]	9.9 [.39]	1 1/4	12 [.472]	7/8	9515X8X12
2068-12-10S	3/4-14	7/8-14	33.5 [1.32]	8.9 [.35]	46 [1.81]	16.3 [.64]	12.2 [.48]	1 1/4	13.8 [.543]	1	9515X10X12
2068-12-12S	3/4-14	1 1/16-12	34.5 [1.36]	8.9 [.35]	50 [1.97]	16.3 [.64]	15.5 [.61]	1 1/4	16.2 [.636]	1 1/4	9515X12X12
2068-12-16S	3/4-14	1 5/16-12	35.8 [1.41]	8.9 [.35]	53.8 [2.12]	15.7 [.62]	21.3 [.84]	1 1/4	16.2 [.636]	1 1/2	9515X16X12
2068-16-16S	1-11 1/2	1 5/16-12	38.9 [1.53]	9.7 [.38]	53.8 [2.12]	21.1 [.83]	21.3 [.84]	1 1/2	16.2 [.636]	1 1/2	9515X16X16
2068-20-16S	1 1/4-11 1/2	1 5/16-12	46.2 [1.82]	10.4 [.41]	63.5 [2.50]	27.4 [1.08]	21.3 [.84]	1 7/8	16.2 [.636]	1 1/2	9515X16X20
2068-20-20S	1 1/4-11 1/2	1 5/8-12	46.2 [1.82]	10.4 [.41]	63.5 [2.50]	27.4 [1.08]	27.4 [1.08]	1 7/8	16.2 [.636]	1 7/8	9515X20X20

REVISIONS			
REV	DESCRIPTION	DATE	APPROVED
AR	REDRAWN & UPDATED TO EATON FORMAT & DIMENSION STYLE. 1) ADDED PART # 2068-4-4S, 2068-4-6S, 2068-6-4S, 2068-6-10S, 2068-8-6S, 2068-8-8S, 2068-12-16S, 2068-16-16S, 2068-20-16S AND 2068-20-20S	2013-09-17 PDS/VJS	0086822-ECO
AS	UPDATED TITLE BLOCK PER LATEST FORMAT.	2023-05-12 VSP	CO-0229165



2068-20-20S	206805-20-20S	210295-20S	222013-20S	22617-20	
2068-20-16S	206805-20-16S	210295-16S	222013-16S	22617-16	
2068-16-16S	206805-16-16S	210295-16S	222013-16S	22617-16	
2068-12-16S	206805-12-16S	210295-16S	222013-16S	22617-16	
2068-12-12S	206805-12-12S	210295-12S	222013-12S	22617-12	
2068-12-10S	206805-12-10S	210295-10S	222013-10S	22617-10	
2068-12-8S	206805-12-8S	210295-8S	222013-8S	22617-8	
2068-8-12S	206805-8-12S	210295-12S	222013-12S	22617-12	
2068-8-10S	206805-8-10S	210295-10S	222013-10S	22617-10	
2068-8-8S	206805-8-8S	210295-8S	222013-8S	22617-8	
2068-8-6S	206805-8-6S	210295-6S	222013-6S	22617-6	
2068-6-10S	206805-6-10S	210295-10S	222013-10S	22617-10	
2068-6-8S	206805-6-8S	210295-8S	222013-8S	22617-8	
2068-6-6S	206805-6-6S	210295-6S	222013-6S	22617-6	
2068-6-4S	206805-6-4S	210295-4S	222013-4S	22617-4	
2068-4-6S	206805-4-6S	210295-6S	222013-6S	22617-6	
2068-4-4S	206805-4-4S	210295-4S	222013-4S	22617-4	
PART NUMBER	① ADAPTER	② JAM NUT	③ WASHER	④ O-RING	

⚠️ WASHER CLINCHED TO FITTING WITH 0.013 [.0005] MAXIMUM CLEARANCE TO AN INTERFERENCE FIT.

1. DIMENSIONS ARE IN MILLIMETERS [INCHES].

METRIC

LIST OF MATERIALS		FLUID CONVEYANCE DIVISION MAUMEE, OHIO U.S.A.		DRAWN P. SHINDE	
ITEM NO.	MATERIAL			CHECKED V. SURYAWANSHI	
1	STEEL			APPROVED Y. KULKARNI	
2	STEEL			RELEASE DATE 2013-09-17	
3	STEEL			DRAWING INTERPRETATION PER ES 10	
4	NITRILE (BUNA-N)	DRAWING TITLE		ADAPTER	
		0086822-ECO		90° FEMALE ADAPTER UNION TO ADJUSTABLE MALE STRAIGHT THREAD (SAE #140257)	
		CAGE CODE 01276		DRAWING NUMBER	
		THIRD ANGLE PROJECTION		2068-S	
		DIST U		REV	
		SIZE A2		AS	
		SCALE NONE			
		SHEET 1			
<small>THE REPRODUCTION, DISTRIBUTION, AND UTILIZATION OF THIS DOCUMENT AS WELL AS THE COMMUNICATION OF ITS CONTENTS TO OTHERS WITHOUT EXPLICIT AUTHORIZATION IS PROHIBITED. OFFENDERS WILL BE HELD LIABLE FOR THE PAYMENT OF DAMAGES. ALL RIGHTS RESERVED IN THE EVENT OF THE GRANT OF A PATENT, UTILITY MODEL OR DESIGN. (PER ISO 16016)</small>					