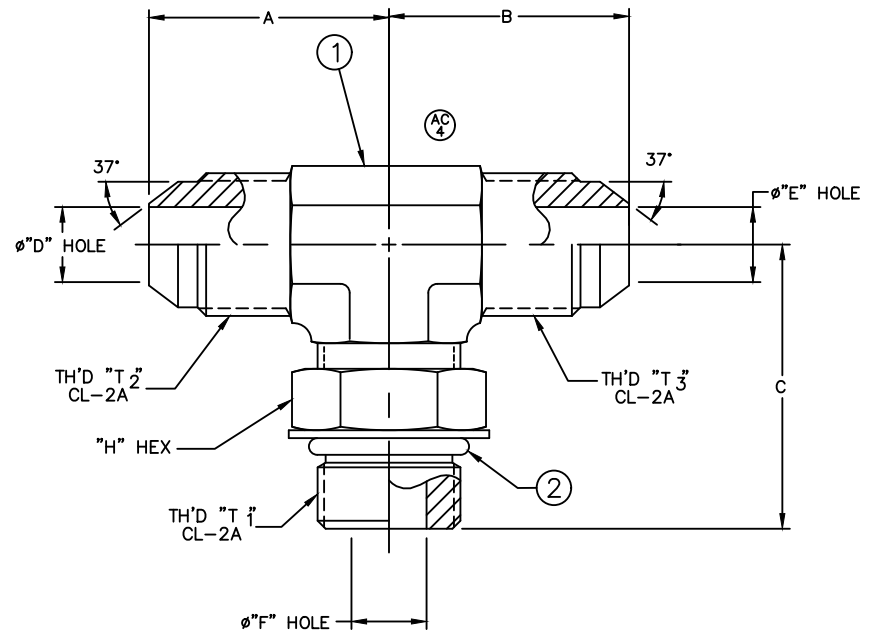


AEROQUIP PART NUMBER	WEATHERHEAD PART NUMBER	TH'D "T ₁ "	TH'D "T ₂ "	TH'D "T ₃ "	A REF	B REF	C REF	D REF	E REF	F REF	H [INCH]
203003-4-4S	C5715X4	7/16-20	7/16-20	7/16-20	22.6 [.89]	22.6 [.89]	26.2 [1.03]	4.3 [.17]	4.3 [.17]	4.3 [.17]	9/16
203003-5-5S	C5715X5	1/2-20	1/2-20	1/2-20	24.1 [.95]	24.1 [.95]	28.7 [1.13]	5.8 [.23]	5.8 [.23]	5.8 [.23]	5/8
203003-6-6S	C5715X6	9/16-18	9/16-18	9/16-18	26.9 [1.06]	26.9 [1.06]	31.8 [1.25]	7.4 [.29]	7.4 [.29]	7.4 [.29]	11/16
203003-8-8S	C5715X8	3/4-16	3/4-16	3/4-16	31.8 [1.25]	31.8 [1.25]	36.8 [1.45]	9.9 [.39]	9.9 [.39]	9.9 [.39]	7/8
203003-10-10S	C5715X10	7/8-14	7/8-14	7/8-14	36.8 [1.45]	36.8 [1.45]	43.2 [1.70]	12.2 [.48]	12.2 [.48]	12.2 [.48]	1
203003-10-12-12S	C5715X12X12X10	7/8-14	1 1/16-12	1 1/16-12	42.2 [1.66]	42.2 [1.66]	45.2 [1.78]	15.5 [.61]	15.5 [.61]	12.2 [.48]	1
203003-12-12S	C5715X12	1 1/16-12	1 1/16-12	1 1/16-12	42.2 [1.66]	42.2 [1.66]	49.3 [1.94]	15.5 [.61]	15.5 [.61]	15.5 [.61]	1 1/4
203003-16-12-12S	C5715X12X12X16	1 5/16-12	1 1/16-12	1 1/16-12	44.7 [1.76]	44.7 [1.76]	52.1 [2.05]	15.5 [.61]	15.5 [.61]	21.6 [.85]	1 1/2
203003-12-16-16S	C5715X16X16X12	1 1/16-12	1 5/16-12	1 5/16-12	46 [1.81]	46 [1.81]	52.1 [2.05]	21.3 [.84]	21.3 [.84]	15.5 [.61]	1 1/4
203003-16-16S	C5715X16	1 5/16-12	1 5/16-12	1 5/16-12	46 [1.81]	46 [1.81]	52.1 [2.05]	21.3 [.84]	21.3 [.84]	21.3 [.84]	1 1/2
203003-20-20S	C5715X20	1 5/8-12	1 5/8-12	1 5/8-12	52.3 [2.06]	52.3 [2.06]	57.2 [2.25]	27.4 [1.08]	27.4 [1.08]	27.4 [1.08]	1 7/8

REVISIONS			
REV	DESCRIPTION	DATE	APPROVED
AC	REDRAWN, UPDATED TO DANFOSS FORMAT AND DIMENSION STYLE. 1)ADDED WEATHERHEAD PART NUMBERS 2)ADDED PART #203003-12-16-16S. 3)REMOVED PART#203003-8-6-6S. 4)UPDATED VIEW. 5)ADAPTER BODY PART NUMBER WAS 203004-16-16S.	2009-12-29 AJC/ADN	0038472-ECO

AC 2 AC 3 AC 1



METRIC

1. DIMENSIONS ARE IN MILLIMETERS [INCHES].

AC 2 AC 3 AC 1	AC 5	AC 4			
203003-20-20S	C5715X20	203003-1-20-20S	22617-20		
203003-16-16S	C5715X16	203003-1-16-16S	22617-16		
203003-12-16-16S	C5715X16X16X12	203003-1-12-16-16S	22617-12		
203003-16-12-12S	C5715X12X12X16	203003-1-16-12-12S	22617-16		
203003-12-12S	C5715X12	203003-1-12-12S	22617-12		
203003-10-12-12S	C5715X12X12X10	203003-1-10-12-12S	22617-10		
203003-10-10S	C5715X10	203003-1-10-10S	22617-10		
203003-8-8S	C5715X8	203003-1-8-8S	22617-8		
203003-6-6S	C5715X6	203003-1-6-6S	22617-6		
203003-5-5S	C5715X5	203003-1-5-5S	22617-5		
203003-4-4S	C5715X4	203003-1-4-4S	22617-4		
AEROQUIP PART NUMBER	WEATHERHEAD PART NUMBER	① ADAPTER BODY	② O'RING		

LIST OF MATERIALS			
ITEM NO.	MATERIAL	DRAWN	CHECKED
1	STEEL	A. CHAVAN	A. NAGARKATTI
2	NITRILE (BUNA-N)	Y. BANG	

RELEASE DATE: 2009-12-29
0038472-ECO

THIRD ANGLE PROJECTION

SCALE: NONE DIST U CAGE CODE: 01276 SHEET: 1

Danfoss FLUID CONVEYANCE DIVISION

DRAWING TITLE: ADAPTER
SAE 37° FLARE - STRAIGHT THREAD
BRANCH TEE

SIZE: A2 DRAWING NUMBER: 203003-S REV: AC

THE REPRODUCTION, DISTRIBUTION AND UTILIZATION OF THIS DOCUMENT AS WELL AS THE COMMUNICATION OF ITS CONTENTS TO OTHERS WITHOUT EXPLICIT AUTHORIZATION IS PROHIBITED. OFFENDERS WILL BE HELD LIABLE FOR THE PAYMENT OF DAMAGES. ALL RIGHT RESERVED IN THE EVENT OF THE GRANT OF A PATENT, UTILITY MODEL OR DESIGN. (PER ISO 16016)

REV. 1 AC
DWG. NO. 203003-S