

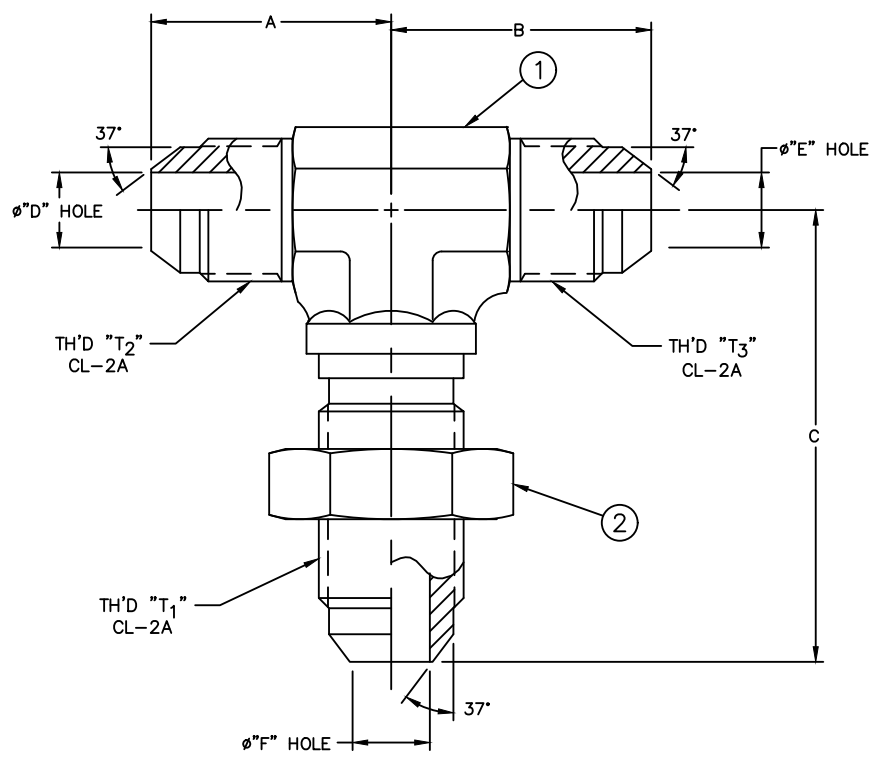
AEROQUIP PART NUMBER	TH'D "T ₁ "	TH'D "T ₂ "	TH'D "T ₃ "	A REF	B REF	C REF	D REF	E REF	F REF
203002-4-4S	7/16-20	7/16-20	7/16-20	24.6 [.97]	24.6 [.97]	40.4 [1.59]	4.3 [.17]	4.3 [.17]	4.3 [.17]
203002-5-5S	1/2-20	1/2-20	1/2-20	26.9 [1.06]	26.9 [1.06]	43.7 [1.72]	5.8 [.23]	5.8 [.23]	5.8 [.23]
203002-6-6S	9/16-18	9/16-18	9/16-18	27.7 [1.09]	27.7 [1.09]	46 [1.81]	7.6 [.30]	7.6 [.30]	7.6 [.30]
203002-8-8S	3/4-16	3/4-16	3/4-16	34.5 [1.36]	34.5 [1.36]	53.6 [2.11]	9.9 [.39]	9.9 [.39]	9.9 [.39]
203002-10-10S	7/8-14	7/8-14	7/8-14	39.6 [1.56]	39.6 [1.56]	60.7 [2.39]	12.2 [.48]	12.2 [.48]	12.2 [.48]
203002-12-12S	1 1/16-12	1 1/16-12	1 1/16-12	45.2 [1.78]	45.2 [1.78]	67.8 [2.67]	15.5 [.61]	15.5 [.61]	15.5 [.61]
203002-16-16S	1 5/16-12	1 5/16-12	1 5/16-12	49.3 [1.94]	49.3 [1.94]	71.1 [2.80]	21.3 [.84]	21.3 [.84]	21.3 [.84]

REVISIONS			
REV	DESCRIPTION	DATE	APPROVED
V	REDRAWN. UPDATED TO DANFOSS FORMAT & DIMENSION STYLE. 1) REMOVED 203002-3-3S PART NO. 2) ADDED PARTS NOS. 203002-8-8S 203002-16-16S	2009-12-30 GPR/ADN	0038590-ECO

P₁

P₂

P₂



METRIC

203002-16-16S	203002-1-16-16S	210212-16S			
203002-12-12S	203002-1-12-12S	210212-12S			
203002-10-10S	203002-1-10-10S	210212-10S			
203002-8-8S	203002-1-8-8S	210212-8S			
203002-6-6S	203002-1-6-6S	210212-6S			
203002-5-5S	203002-1-5-5S	210212-5S			
203002-4-4S	203002-1-4-4S	210212-4S			
AEROQUIP PART NUMBER	① ADAPTER BODY	② LOCK NUT			

LIST OF MATERIALS

ITEM NO.	MATERIAL	DRAWN G. RAJPUT	CHECKED A. NAGARKATTI	APPROVED A. NAGARKATTI	RELEASE DATE 2009-12-30	0038590-ECO
1	STEEL					
2	STEEL					

DRAWING TITLE: **Danfoss** FLUID CONVEYANCE DIVISION
 ADAPTER
 SAE 37° FLARE-BULKHEAD BRANCH TEE
 (SAE #070959)

SIZE: A2 DRAWING NUMBER: 203002-S REV: V
 SCALE: NONE DIST: U CAGE CODE: 01276 SHEET: 1 OF 2

THE REPRODUCTION, DISTRIBUTION AND UTILIZATION OF THIS DOCUMENT AS WELL AS THE COMMUNICATION OF ITS CONTENTS TO OTHERS WITHOUT EXPLICIT AUTHORIZATION IS PROHIBITED. OFFENDERS WILL BE HELD LIABLE FOR THE PAYMENT OF DAMAGES. ALL RIGHT RESERVED IN THE EVENT OF THE GRANT OF A PATENT, UTILITY MODEL OR DESIGN. (PER ISO 16016)

1. DIMENSIONS ARE IN MILLIMETERS [INCH].

REV. V
SH. 1
203002-S
DWG. NO.