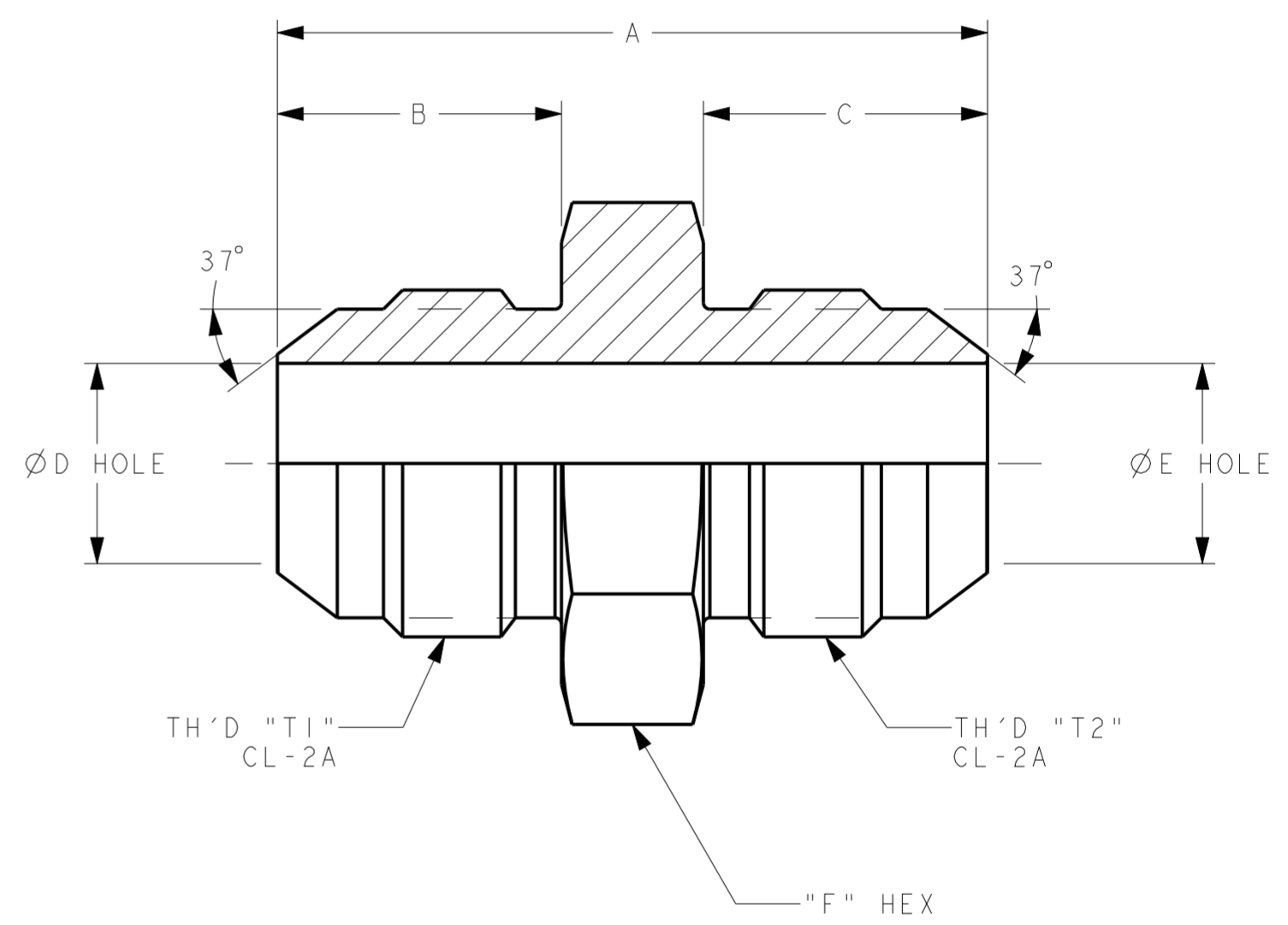


AEROQUIP PART NO	WHD PART NO	TH'D "T1"	TH'D "T2"	A REF	B REF	C REF	D REF	E REF	F REF
202712-4-4S	C5306X4	7/16-20	7/16-20	34.8 [1.37]	14 [.55]	14 [.55]	4.4 [.17]	4.4 [.17]	11/16
202712-8-4S	C5306X8X4	3/4-16	7/16-20	38.4 [1.51]	16.7 [.66]	14 [.55]	9.9 [.39]	4.4 [.17]	1
202712-5-5S	C5306X5	1/2-20	1/2-20	34.8 [1.37]	14 [.55]	14 [.55]	5.9 [.23]	5.9 [.23]	3/4
202712-6-4S	C5306X6X4	9/16-18	7/16-20	35.6 [1.40]	14.1 [.56]	14 [.55]	7.5 [.30]	4.4 [.17]	13/16
202712-6-6S	C5306X6	9/16-18	9/16-18	35.8 [1.41]	14.1 [.56]	14.1 [.56]	7.5 [.30]	7.5 [.30]	13/16
202712-8-6S	C5306X8X6	3/4-16	9/16-18	38.6 [1.52]	16.7 [.66]	14.1 [.56]	9.9 [.39]	7.5 [.30]	1
202712-8-8S	C5306X8	3/4-16	3/4-16	41.1 [1.62]	16.7 [.66]	16.7 [.66]	9.9 [.39]	9.9 [.39]	1
202712-12-8S	C5306X12X8	1 1/16-12	3/4-16	49.5 [1.95]	21.9 [.86]	16.7 [.66]	15.5 [.61]	9.9 [.39]	1 3/8
202712-10-8S	C5306X10X8	7/8-14	3/4-16	45.2 [1.78]	19.3 [.76]	16.7 [.66]	12.3 [.48]	9.9 [.39]	1 1/8
202712-10-10S	C5306X10	7/8-14	7/8-14	47.8 [1.88]	19.3 [.76]	19.3 [.76]	12.3 [.48]	12.3 [.48]	1 1/8
202712-12-10S	C5306X12X10	1 1/16-12	7/8-14	52.1 [2.05]	21.9 [.86]	19.3 [.76]	15.5 [.61]	12.3 [.48]	1 3/8
202712-12-12S	C5306X12	1 1/16-12	1 1/16-12	54.9 [2.16]	21.9 [.86]	21.9 [.86]	15.5 [.61]	15.5 [.61]	1 3/8
202712-14-14S	C5306X14	1 3/16-12	1 3/16-12	56.1 [2.21]	22.6 [.89]	22.6 [.89]	18.3 [.72]	18.3 [.72]	1 1/2
202712-16-12S	C5306X16X12	1 5/16-12	1 1/16-12	55.9 [2.20]	23.1 [.91]	21.9 [.86]	21.5 [.84]	15.5 [.61]	1 5/8
202712-16-16S	C5306X16	1 5/16-12	1 5/16-12	57.2 [2.25]	23.1 [.91]	23.1 [.91]	21.5 [.84]	21.5 [.84]	1 5/8
202712-20-20S	C5306X20	1 5/8-12	1 5/8-12	61.7 [2.43]	24.3 [.96]	24.3 [.96]	27.4 [1.08]	27.4 [1.08]	1 7/8
202712-24-24S	C5306X24	1 7/8-12	1 7/8-12	69.8 [2.75]	27.5 [1.08]	27.5 [1.08]	33.4 [1.31]	33.4 [1.31]	2 1/8

REVISIONS			
REV	DESCRIPTION	DATE	APPROVED
F	REDRAWN 1) ADDED WHD PART NO 2) ADDED #202712-5-5S 3) ADDED #202712-20-20S	2011-08-19 NUD/SRH	0058130-ECO
G	1) ADDED PART NOS; #202712-4-6S, #202712-4-8S #202712-6-8S, #202712-8-12S #202712-10-12S, #202712-14-14S	2011-08-25 NUD/PSW	0060029-ECO
H	1) ADDED WHD PART NUMBERS	2012-05-28 RDZ/PSW	0069553-ECO
J	1) REMOVED PART #202712-4-6S. 2) PART NO. WAS 202712-4-8S. 3) PART NO. WAS C5306X4X6. 4) PART NO. WAS 202712-6-8S. 5) PART NO. WAS 202712-8-12S. 6) PART NO. WAS C5306X8X10. 7) PART NO. WAS 202712-10-12S. 8) PART NO. WAS C5306X12X16.	2013-02-12 SJM	0075971-ECO



METRIC

G I F I

2. MATERIAL STEEL.
1. DIMENSIONS ARE IN MILLIMETERS [INCHES].

DRAWN N. DHUMAL	Danfoss FLUID CONVEYANCE DIVISION		
CHECKED S. HASABE			
APPROVED Y. KULKARNI	DRAWING TITLE ADAPTER		
RELEASE DATE 2011-08-19	SAE 37° MALE FLARE (SAE J514)-LARGE HEX UNION (SAE #070119)		
0058130-ECO	SIZE A2	DRAWING NUMBER 202712-S	REV J
THIRD ANGLE PROJECTION	SCALE 2/1	DIST U	CAGE CODE 01276
		SHEET 1	

THE REPRODUCTION, DISTRIBUTION AND UTILIZATION OF THIS DOCUMENT AS WELL AS THE COMMUNICATION OF ITS CONTENTS TO OTHERS WITHOUT EXPLICIT AUTHORIZATION IS PROHIBITED. OFFENDERS WILL BE HELD LIABLE FOR THE PAYMENT OF DAMAGES. ALL RIGHTS RESERVED IN THE EVENT OF THE GRANT OF A PATENT, UTILITY MODEL OR DESIGN. (PER ISO 16016)

REV. J
SH. 1
202712-S
DWG. NO.