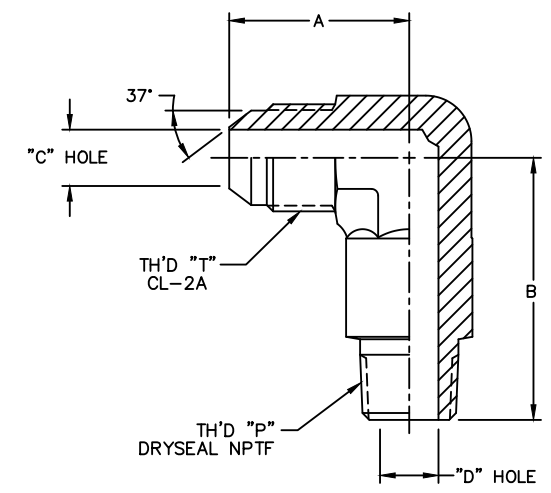


AEROQUIP PART NUMBER	WEATHERHEAD PART NUMBER	TH'D "P"	TH'D "T"	A REF	B REF	C REF	D REF
202411-2-4S	C5425X4	1/8-27	7/16-20	22.6 [.89]	29.7 [1.17]	4.3 [.17]	4.8 [.19]
202411-2-5S	C5425X5	1/8-27	1/2-20	24.1 [.95]	29.7 [1.17]	5.8 [.23]	4.8 [.19]
202411-4-4S	C5425X4X4	1/4-18	7/16-20	26.7 [1.05]	40.1 [1.58]	4.3 [.17]	7.1 [.28]
202411-4-6S	C5425X6	1/4-18	9/16-18	26.9 [1.06]	40.1 [1.58]	7.6 [.30]	7.1 [.28]
202411-4-8S	C5425X8X4	1/4-18	3/4-16	31.8 [1.25]	46.2 [1.82]	9.9 [.39]	7.1 [.28]
202411-6-6S	C5425X6X6	3/8-18	9/16-18	29 [1.14]	46.2 [1.82]	7.6 [.30]	10.4 [.41]
202411-6-8S	C5425X8	3/8-18	3/4-16	31.8 [1.25]	46.2 [1.82]	9.9 [.39]	10.4 [.41]
202411-8-8S	C5425X8X8	1/2-14	3/4-16	33.8 [1.33]	55.1 [2.17]	9.9 [.39]	13.5 [.53]
202411-8-10S	C5425X10	1/2-14	7/8-14	36.8 [1.45]	55.1 [2.17]	12.2 [.48]	13.5 [.53]
202411-8-12S	C5425X12X8	1/2-14	1 1/16-12	42.2 [1.66]	62 [2.44]	15.5 [.61]	13.5 [.53]
202411-12-10S	C5425X10X12	3/4-14	7/8-14	39.1 [1.54]	62 [2.44]	12.2 [.48]	18.3 [.72]
202411-12-12S	C5425X12	3/4-14	1 1/16-12	42.2 [1.66]	62 [2.44]	15.5 [.61]	18.3 [.72]
202411-12-16S	C5425X16X12	3/4-14	1 5/16-12	46 [1.81]	71.6 [2.82]	21.3 [.84]	18.3 [.72]
202411-16-16S	C5425X16	1-11 1/2	1 5/16-12	46 [1.81]	76.5 [3.01]	21.3 [.84]	23.9 [.94]
202411-20-20S	C5425X20	1 1/4-11 1/2	1 5/8-12	52.3 [2.06]	93.7 [3.69]	27.4 [1.08]	31.8 [1.25]

(F1)

REVISIONS			
REV	DESCRIPTION	DATE	APPROVED
F	REDRAWN, UPDATED TO DANFOSS FORMAT & DIMENSION STYLE 1) ADDED PART #202411-20-20S	2009-12-25 VJS/ADN	0038343-ECO



METRIC

2. MATERIAL: STEEL.
1. DIMENSIONS ARE IN MILLIMETERS [INCHES].

DRAWN V. SURYAWANSHI	Danfoss FLUID CONVEYANCE DIVISION		
CHECKED A. NAGARKATTI	DRAWING TITLE		
APPROVED A. NAGARKATTI	ADAPTER		
RELEASE DATE 2009-12-25	SAE 37° FLARE - 90° MALE LONG ELBOW		
0038343-ECO	(SAE #071502)		
THIRD ANGLE PROJECTION	SIZE A2	DRAWING NUMBER 202411	REV F
	SCALE NONE	DIST U	CAGE CODE 01276
		SHEET 2	
THE REPRODUCTION, DISTRIBUTION AND UTILIZATION OF THIS DOCUMENT AS WELL AS THE COMMUNICATION OF ITS CONTENTS TO OTHERS WITHOUT EXPLICIT AUTHORIZATION IS PROHIBITED. OFFENDERS WILL BE HELD LIABLE FOR THE PAYMENT OF DAMAGES. ALL RIGHT RESERVED IN THE EVENT OF THE GRANT OF A PATENT, UTILITY MODEL OR DESIGN. (PER ISO 16016)			

REV. F
SHEET 2
DWG. NO. 202411