

BE 2

PART NUMBER	WEATHERHEAD PART NUMBER	TH'D "P"	TH'D "T"	A REF	B REF	C REF	D REF
2023-2-6S	C5355X6X2	1/8-27	9/16-18	21.1 [.83]	17 [.67]	7.6 [.30]	4.8 [.19]
2023-4-4S	C5355X4X4	1/4-18	7/16-20	20.8 [.82]	21.8 [.86]	4.3 [.17]	7.1 [.28]
2023-4-5S	C5355X5X4	1/4-18	1/2-20	20.8 [.82]	21.8 [.86]	5.8 [.23]	7.1 [.28]
2023-4-6S	C5355X6	1/4-18	9/16-18	21.1 [.83]	21.8 [.86]	7.6 [.30]	7.1 [.28]
2023-4-8S	C5355X8X4	1/4-18	3/4-16	24.9 [.98]	24.1 [.95]	9.9 [.39]	7.1 [.28]
2023-6-4S	C5355X4X6	3/8-18	7/16-20	21.6 [.85]	24.1 [.95]	4.3 [.17]	10.4 [.41]
2023-6-6S	C5355X6X6	3/8-18	9/16-18	22.1 [.87]	24.1 [.95]	7.6 [.30]	10.4 [.41]
2023-6-8S	C5355X8	3/8-18	3/4-16	24.9 [.98]	24.1 [.95]	9.9 [.39]	10.4 [.41]
2023-6-10S	C5355X10X6	3/8-18	7/8-14	28.2 [1.11]	24.9 [.98]	12.2 [.48]	10.4 [.41]
2023-6-12S	C5355X12X6	3/8-18	1 1/16-12	32.5 [1.28]	25.7 [1.01]	15.5 [.61]	10.4 [.41]
2023-8-8S	C5355X8X8	1/2-14	3/4-16	25.1 [.99]	29.7 [1.17]	9.9 [.39]	13.5 [.53]
2023-8-10S	C5355X10	1/2-14	7/8-14	28.2 [1.11]	29.7 [1.17]	12.2 [.48]	13.5 [.53]
2023-8-12S	C5355X12X8	1/2-14	1 1/16-12	32.5 [1.28]	30.5 [1.20]	15.5 [.61]	13.5 [.53]
2023-8-16S	C5355X16X8	1/2-14	1 5/16-12	37.3 [1.47]	32.8 [1.29]	21.3 [.84]	13.5 [.53]
2023-12-8S	C5355X8X12	3/4-14	3/4-16	26.4 [1.04]	30.5 [1.20]	9.9 [.39]	18.3 [.72]
2023-12-10S	C5355X10X12	3/4-14	7/8-14	29.5 [1.16]	30.5 [1.20]	12.2 [.48]	18.3 [.72]
2023-12-12S	C5355X12	3/4-14	1 1/16-12	32.5 [1.28]	30.5 [1.20]	15.5 [.61]	18.3 [.72]
2023-12-16S	C5355X16X12	3/4-14	1 5/16-12	37.3 [1.47]	32.8 [1.29]	21.3 [.84]	18.3 [.72]
2023-16-12S	C5355X12X16	1-11 1/2	1 1/16-12	36.1 [1.42]	37.6 [1.48]	15.5 [.61]	23.9 [.94]
2023-16-16S	C5355X16	1-11 1/2	1 5/16-12	37.3 [1.47]	37.6 [1.48]	21.3 [.84]	23.9 [.94]
2023-16-20S	C5355X20X16	1-11 1/2	1 5/8-12	40.4 [1.59]	41.7 [1.64]	27.4 [1.08]	23.9 [.94]
2023-20-20S	C5355X20	1 1/4-11 1/2	1 5/8-12	40.4 [1.59]	42.4 [1.67]	27.4 [1.08]	31.8 [1.25]
2023-2-5S	C5355X5	1/8-27	1/2-20	19.6 [.77]	16.3 [.64]	6 [.24]	4.8 [.19]
2023-32-32S	C5355X32	2-11 1/2	2 1/2-12	56.4 [2.22]	53.6 [2.11]	45.2 [1.78]	49 [1.93]

BE 1

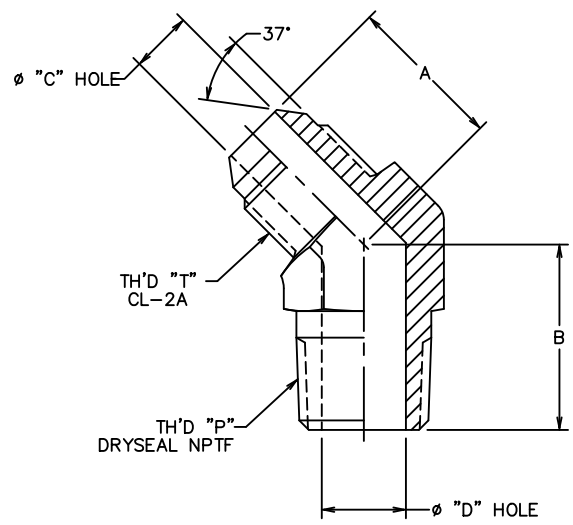
BF 1

BF 1

BB 2 BC 2

2. MATERAIL: STEEL  
1. DIMENSIONS ARE IN MILLIMETERS [INCH].

REVISIONS			
REV	DESCRIPTION	DATE	APPROVED
BD	(1) REDRAWN, ADDED WEATHERHEAD CATALOG NUMBER.	2000-06-06 JEEJ/W.R.H.	EN-F25087 DP-1511
BE	1) WEATHERHEAD PART NUMBER WAS C5355X4. 2) WHEATHERHEAD PART NUMBER.	2004-09-20 BAL/BAT	EN-F26900 DP-1513
BF	1) ADDED PARTS #2023-2-5S AND #2023-32-32S.	2015-12-02 RZH/VSP	0117031- ECO



METRIC

DRAWN J EBERSOLE		FLUID CONVEYANCE DIVISION	
CHECKED W.R.HYDE		DRAWING TITLE	
APPROVED M.SMITH		ADAPTER	
RELEASE DATE 2003-10-15		SAE 37' FLARE - 45° MALE ELBOW (SAE #070302)	
EN-F25087		SIZE A2	DRAWING NUMBER 2023-S
DP-1513		SCALE *	REV BF
THIRD ANGLE PROJECTION		DIST U	SHEET 2
		CAGE CODE 01276	

THE REPRODUCTION, DISTRIBUTION AND UTILIZATION OF THIS DOCUMENT AS WELL AS THE COMMUNICATION OF ITS CONTENTS TO OTHERS WITHOUT EXPLICIT AUTHORIZATION IS PROHIBITED. OFFENDERS WILL BE HELD LIABLE FOR THE PAYMENT OF DAMAGES. ALL RIGHT RESERVED IN THE EVENT OF THE GRANT OF A PATENT, UTILITY MODEL OR DESIGN. (PER ISO 16016)