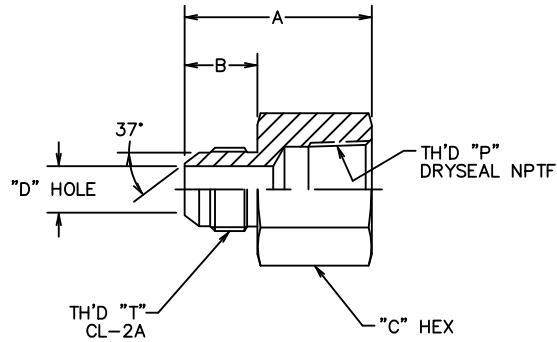


DANFOSS PART NUMBER	TH'D "P"	TH'D "T"	A REF	B REF	C REF	D REF
2022-2-4B	1/8-27	7/16-20	1.19	.55	.56	.17
2022-2-5B	1/8-27	1/2-20	1.17	.55	.56	.23
2022-4-4B	1/4-18	7/16-20	1.39	.55	.75	.17
2022-4-5B	1/4-18	1/2-20	1.39	.55	.75	.23
2022-4-6B	1/4-18	9/16-18	1.40	.56	.75	.30
2022-4-8B	1/4-18	3/4-16	1.55	.66	.81	.39
2022-6-6B	3/8-18	9/16-18	1.46	.56	.88	.30
2022-6-8B	3/8-18	3/4-16	1.56	.66	.88	.39
2022-8-8B	1/2-14	3/4-16	1.79	.66	1.12	.39
2022-8-10B	1/2-14	7/8-14	1.89	.76	1.12	.48
2022-12-12B	3/4-14	1 1/16-12	2.06	.86	1.38	.61
2022-16-16B	1-11 1/2	1 5/16-12	2.35	.91	1.62	.84
2022-24-24B	1 1/2-11 1/2	1 7/8-12	2.62	1.08	2.38	1.31
2022-40-40B	2 1/2-8	3-12	3.25	1.11	3.12	2.31

(AH)



REVISIONS			
REV.	DESCRIPTION	DATE	APPROVED
AG	REDRAWN - LAST REV. "AF" UPDATED DIMENSIONS TO AGREE WITH DETAIL DRAWINGS	9-1-93	EN-F14210 DAI-17511
AH	(1) ADDED 2022-4-5B AND FF2022-8-8B	2004-02-06 KH	EN-F25426 DP-1299

1. MATERIAL: BRASS.

DRAWN M BEARDMORE	Danfoss FLUID CONVEYANCE DIVISION		
CHECKED R D GARRETT	DRAWING TITLE		
APPROVED R D GARRETT	ADAPTER		
RELEASE DATE 9-1-93	SAE 37° FLARE - FEMALE CONNECTOR (SAE #070103)		
EN-F14210	SIZE A2	DRAWING NUMBER 2022-B	REV AH
DAI-17511	SCALE	DIST U	CAGE CODE 01276
THIRD ANGLE PROJECTION	SHEET		*
THE REPRODUCTION, DISTRIBUTION AND UTILIZATION OF THIS DOCUMENT AS WELL AS THE COMMUNICATION OF ITS CONTENTS TO OTHERS WITHOUT EXPLICIT AUTHORIZATION IS PROHIBITED. OFFENDERS WILL BE HELD LIABLE FOR THE PAYMENT OF DAMAGES. ALL RIGHT RESERVED IN THE EVENT OF THE GRANT OF A PATENT, UTILITY MODEL OR DESIGN. (PER ISO 18016)			

REV. AH
SH.
2022-B
DWG. NO.