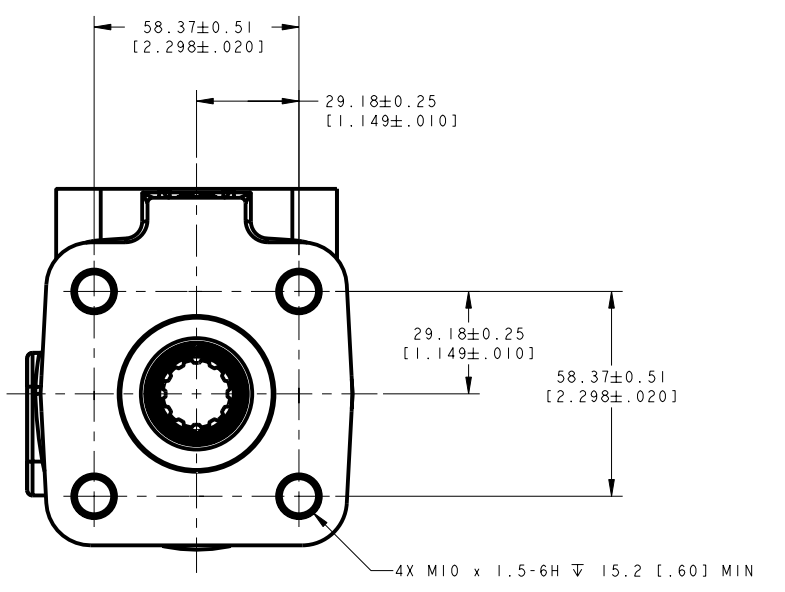
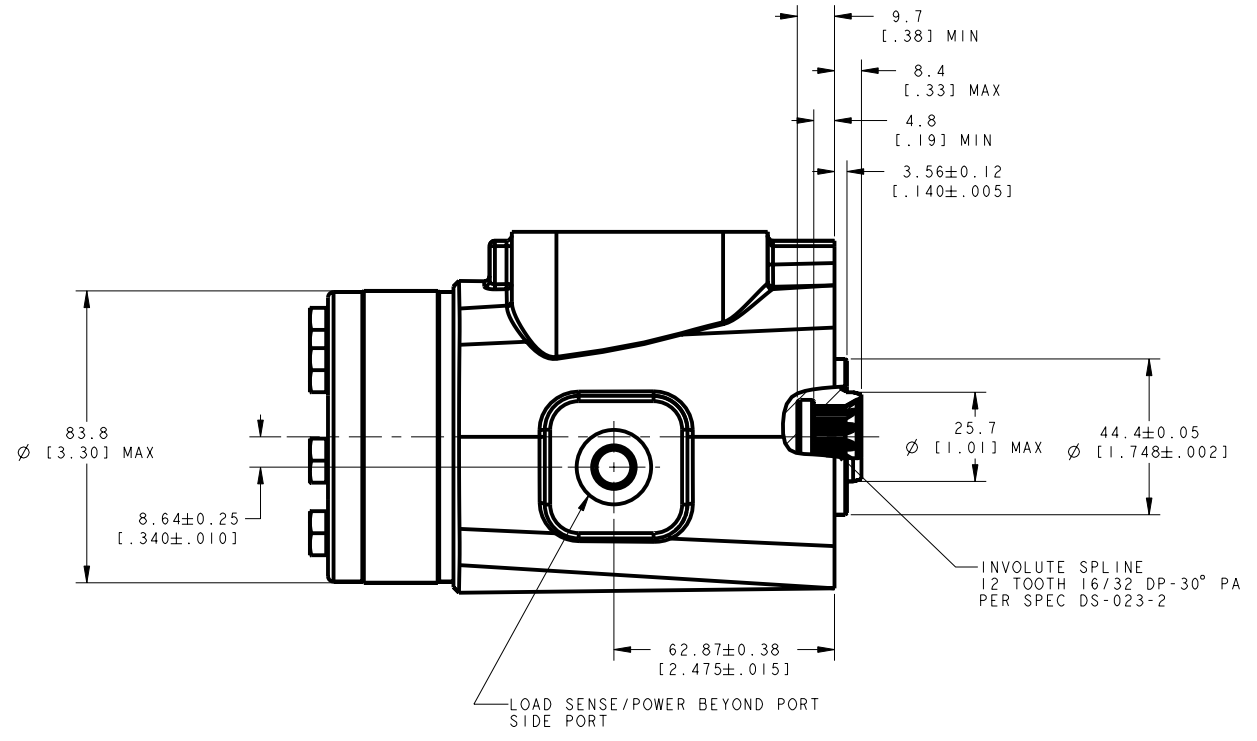
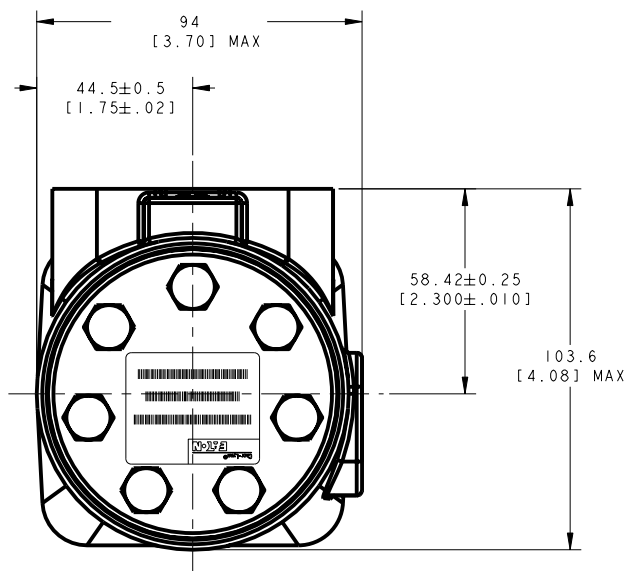
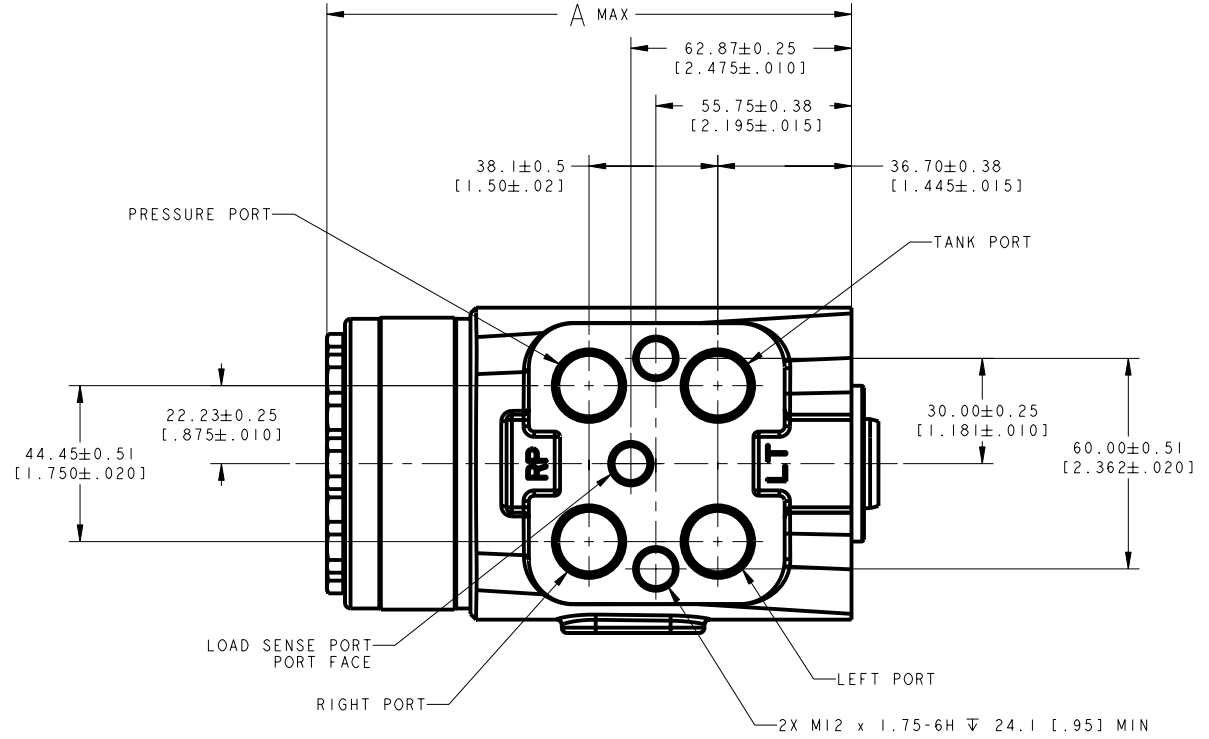


DISPLACEMENT		A MAX
CODE	cm <sup>3</sup> /r [in <sup>3</sup> /r]	
40	58.7 [3.58]	138.7 [5.46]
43	73.8 [4.50]	138.7 [5.46]
45	96 [5.86]	141.7 [5.58]
48	120 [7.33]	145 [5.71]
50	146 [8.90]	148.6 [5.85]
51	159 [9.73]	150.4 [5.92]
52	185 [11.3]	153.9 [6.06]
--	200 [12.2]	156.0 [6.14]
54	231 [14.1]	160.3 [6.31]
57	293 [17.9]	168.9 [6.65]
58	328 [20.0]	173.5 [6.83]
--	350 [21.4]	176.6 [6.95]
59	370 [22.6]	179.3 [7.06]
61	462 [28.2]	192 [7.56]
64	588 [35.9]	209.3 [8.24]
66	739 [45.1]	230.1 [9.06]

REV	DESCRIPTION	BY	CHK	DATE	ECN / MPS
A	RELEASE FOR SAMPLES AND ESTIMATE	BRO	DGS	10/26/98	M20296
B	REVISED	DGS	DGS	10/6/99	X10996
C	ENGINEERING RELEASE	DGS		1/26/00	35801
D	(8D) ADDED DISPLACEMENT CODE 64 AND 66	LMD	LMD	12-19-00	M24718
E	(8D) ADDED DISPLACEMENT CODE 58	LMD	LMD	1-24-01	M24877
F	(8D) ADDED 350 cm <sup>3</sup> /r [21.4 in <sup>3</sup> /r] DISP	MLL	MLL	5-27-08	M72861A
G	(8D) ADDED 200 cm <sup>3</sup> /r [12.2 in <sup>3</sup> /r] DISP	MLL	MLL	5-27-08	M72864A



GMR  
DISTRIBUTION CODE(S)

UNLESS OTHERWISE SPECIFIED ALL DIMENSIONS ARE IN INCHES  
MILLIMETERS (INCHES)

TOLERANCES  
.X ± ---  
.XX ± ---  
.XXX ± ---  
∠ ± ---

UNSPECIFIED RADII ARE: ---  
METALLURGY BY/DATE

UNSPECIFIED DRAFT ANGLES ARE: ---  
THIRD ANGLE PROJECTION  
DO NOT SCALE

DRAWING BASED ON ANSI Y14.5M-1982

NOTICE TO PERSONS RECEIVING THIS DRAWING AND / OR TECHNICAL INFORMATION

Eaton Corporation claims proprietary rights in the information disclosed hereon. This document is issued in confidence and is not to be reproduced or used to manufacture anything shown hereon without the written permission of the Eaton Corporation.

Drawn: BRO 5/6/99  
Checked: DGS 1/25/00  
Engr: MDM 1/18/00  
Metallurgy: ---

MATERIAL/HEAT TREAT

TITLE  
STEERING CONTROL UNIT INSTALLATION

NUMBER  
A-1372-001

SCALE 1/1  
SHEET 1 OF 1