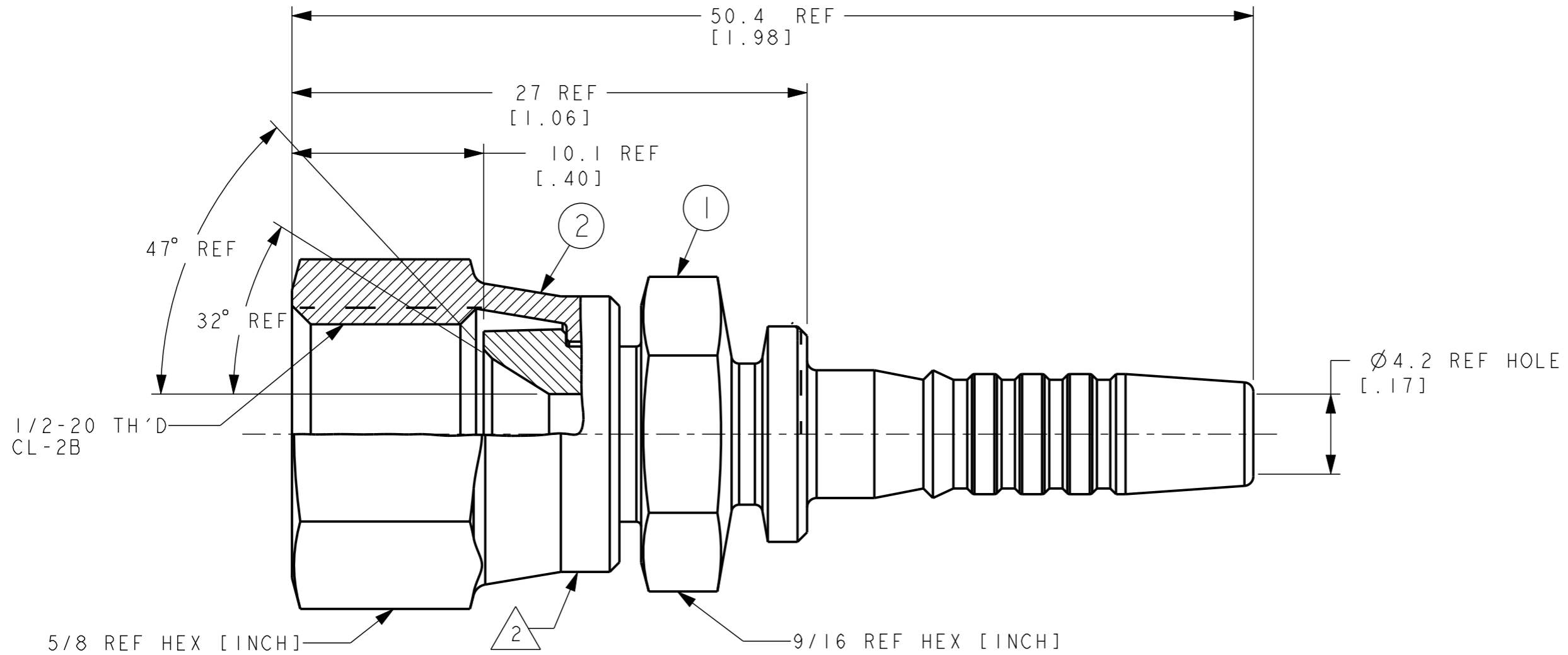


PART NUMBER	SURFACE AREA	MASS
ISA5FJ4	3723 mm <sup>2</sup>	27 g

REVISIONS			
REV	DESCRIPTION	DATE	APPROVED
E	REDRAWN. UPDATED TO LATEST FORMAT TO SHOW DUAL SEATING NIPPLE DESIGN.	2023-07-15 VSP	CO-0229730



METRIC

ISA5FJ4	IF40000A0504-S	210204-5S			
PART NUMBER	① NIPPLE	② NUT			

LIST OF MATERIALS

ITEM NO.	MATERIAL
1	STEEL
2	STEEL

FLUID CONVEYANCE DIVISION MAUMEE, OHIO U.S.A.		DRAWN	V. PATIL
		CHECKED	V. PATIL
		APPROVED	B. JADHAV
CO-0229730		RELEASE DATE	2023-07-15
CAGE CODE 01276		DRAWING INTERPRETATION PER ES 10	
THIRD ANGLE PROJECTION		DRAWING TITLE	
SIZE A3		NIPPLE ASSEMBLY	
SCALE 4/1		HIGH PRESSURE SAE 37° FEMALE SWIVEL 2781 HOSE	
SHEET 1		DRAWING NUMBER	REV
		ISA5FJ4	E

②. CRIMP NUT PER ACES 2813.

1. DIMENSIONS ARE IN MILLIMETERS [INCHES].

THE REPRODUCTION, DISTRIBUTION, AND UTILIZATION OF THIS DOCUMENT AS WELL AS THE COMMUNICATION OF ITS CONTENTS TO OTHERS WITHOUT EXPLICIT AUTHORIZATION IS PROHIBITED. OFFENDERS WILL BE HELD LIABLE FOR THE PAYMENT OF DAMAGES. ALL RIGHTS RESERVED IN THE EVENT OF THE GRANT OF A PATENT, UTILITY MODEL OR DESIGN. (PER ISO 16016)