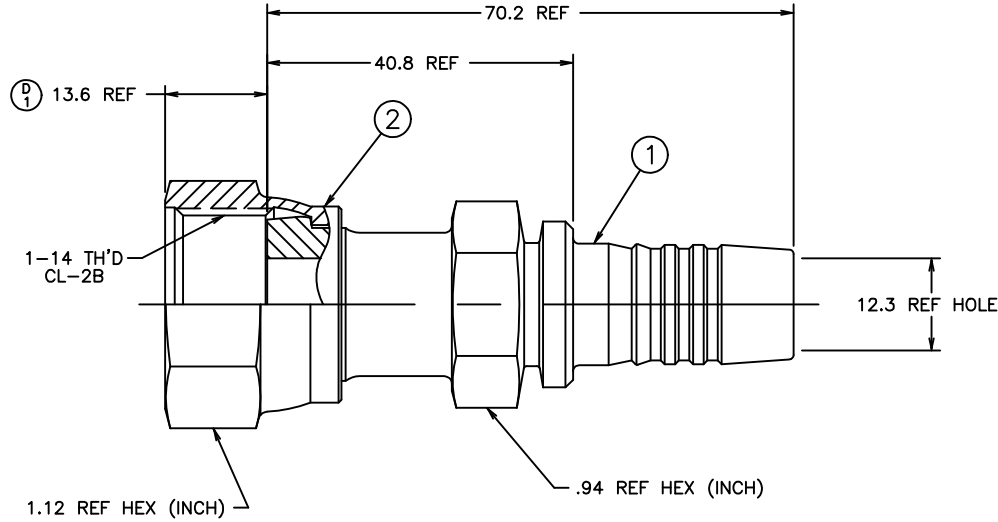


THE REPRODUCTION, DISTRIBUTION AND UTILIZATION OF THIS DOCUMENT AS WELL AS THE COMMUNICATION OF ITS CONTENTS TO OTHER WITHOUT EXPLICIT AUTHORIZATION IS PROHIBITED. OFFENDERS WILL BE HELD LIABLE FOR THE PAYMENT OF DAMAGES. ALL RIGHT RESERVED IN THE EVENT OF THE GRANT OF A PATENT, UTILITY MODEL OR DESIGN. (PER ISO 15016)

REVISIONS			
REV	DESCRIPTION	DATE	APPROVED
D	REDRAWN - SUPERSEDES 1SA_FR_SHEET 1/2 REV."C" FOR 1SA10FR10 (1)WAS 13.5 REF	10-25-95	EN-F16048 DP-24900



70.2	2.76
40.8	1.61
13.6	.54
12.3	.48
MM	INCH

CONVERSION

METRIC

CONVERTED DRAWING CADAM to AutoCAD 8/98

1. CRIMP NUT PER ACES 2409P1.

1SA10FR10	1F40010A1010-S	FC1473-10S		
AEROQUIP PART NUMBER	① NIPPLE	② NUT		
LIST OF MATERIALS				
ITEM NO.	MATERIAL	DRAWN	R.D.GARRETT	
1	STEEL	CHECKED	M.MOLINA	
2	STEEL	APPROVED	R.D.GARRETT	
		RELEASE DATE	10-26-95	
		EN-F16048	SIZE	DRAWING NUMBER
		DP-24900	C	1SA10FR10
		THIRD ANGLE PROJECTION	SCALE	2/1
			DIST	U
			CAGE CODE	01276
			SHEET NO	

Garrett FLUID CONVEYANCE DIVISION

DRAWING TITLE
NIPPLE ASSEMBLY
ORS FEMALE SWIVEL, 2781 HOSE

REV D

REV: D
SH: 1SA10FR10
DWG. NO. 1SA10FR10