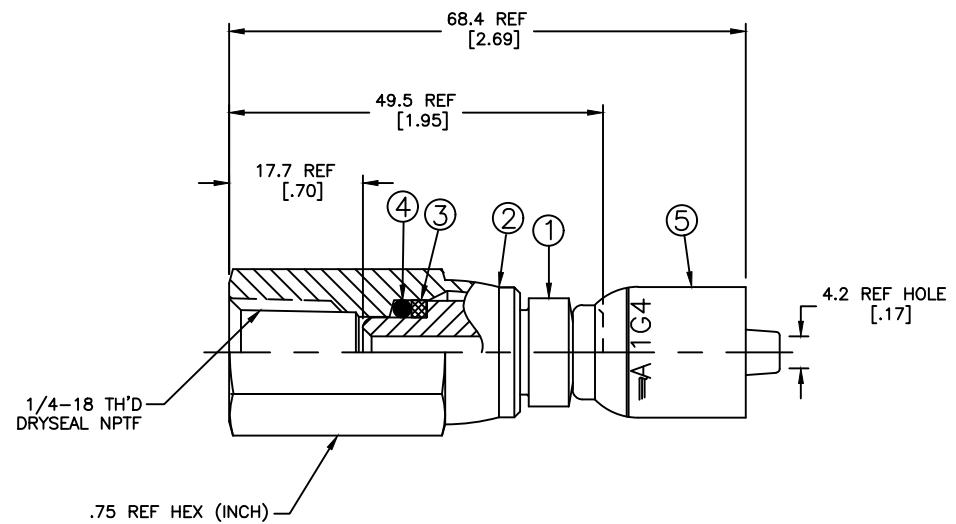


THE REPRODUCTION, DISTRIBUTION AND UTILIZATION OF THIS DOCUMENT AS WELL AS THE COMMUNICATION OF ITS CONTENTS TO OTHER WITHOUT EXPLICIT AUTHORIZATION IS PROHIBITED. OFFENDERS WILL BE HELD LIABLE FOR THE PAYMENT OF DAMAGES. ALL RIGHT RESERVED IN THE EVENT OF THE GRANT OF A PATENT, UTILITY MODEL OR DESIGN. (PER ISO 18018)

THIS DOCUMENT IS UNCLASSIFIED EXCEPT WHERE SHOWN OTHERWISE AND SHALL NOT BE RECLASSIFIED WITHOUT THE WRITTEN CONSENT OF AEROSPACE CORPORATION. (DOWNS 382,327-70130)(X2)

REVISIONS			
REV	DESCRIPTION	DATE	APPROVED



- DIMENSIONS ARE IN MILLIMETER [INCHES].
- 1SA4PF4 NIPPLE ASSEMBLY MAY BE SUBSTITUTED FOR ITEMS #1, #2, #3, AND #4.
- PROCESS AS FOLLOWS:
  - ASSEMBLE NUT PER ACES 2409P15 AND INSPECT 100% TO INSURE NUT SWIVELS.
  - ASSEMBLE SOCKET PER ACES 2813.

METRIC

1GA4PF4	1F40134-0404-S	FW1178-0404S	FF9686-04	22550-110	1G4
AEROQUIP PART NUMBER	① NIPPLE	② NUT	③ BACKUP RING	④ O'RING	⑤ SOCKET
LIST OF MATERIALS					
ITEM NO.	MATERIAL	DRAWN J. BAHNSEN CHECKED R.D. GARRETT APPROVED R.D. GARRETT RELEASE DATE 2000-07-11 EN-F20286 DP-1298 THIRD ANGLE PROJECTION ITEM TYPE:EBPA			
1	STEEL	FLUID CONVEYANCE DIVISION DRAWING TITLE <b>FITTING ASSEMBLY</b> FEMALE PIPE SWIVEL, OTC SIZE A2 DRAWING NUMBER 1GA4PF4 REV SCALE 2:1 DIST U CAGE CODE 01276 SHEET NO			
2	STEEL				
3	TEFLON				
4	NITRILE (BUNA-N)				
5	STEEL				

DWG. NO. 1GA4PF4 SH. REV.