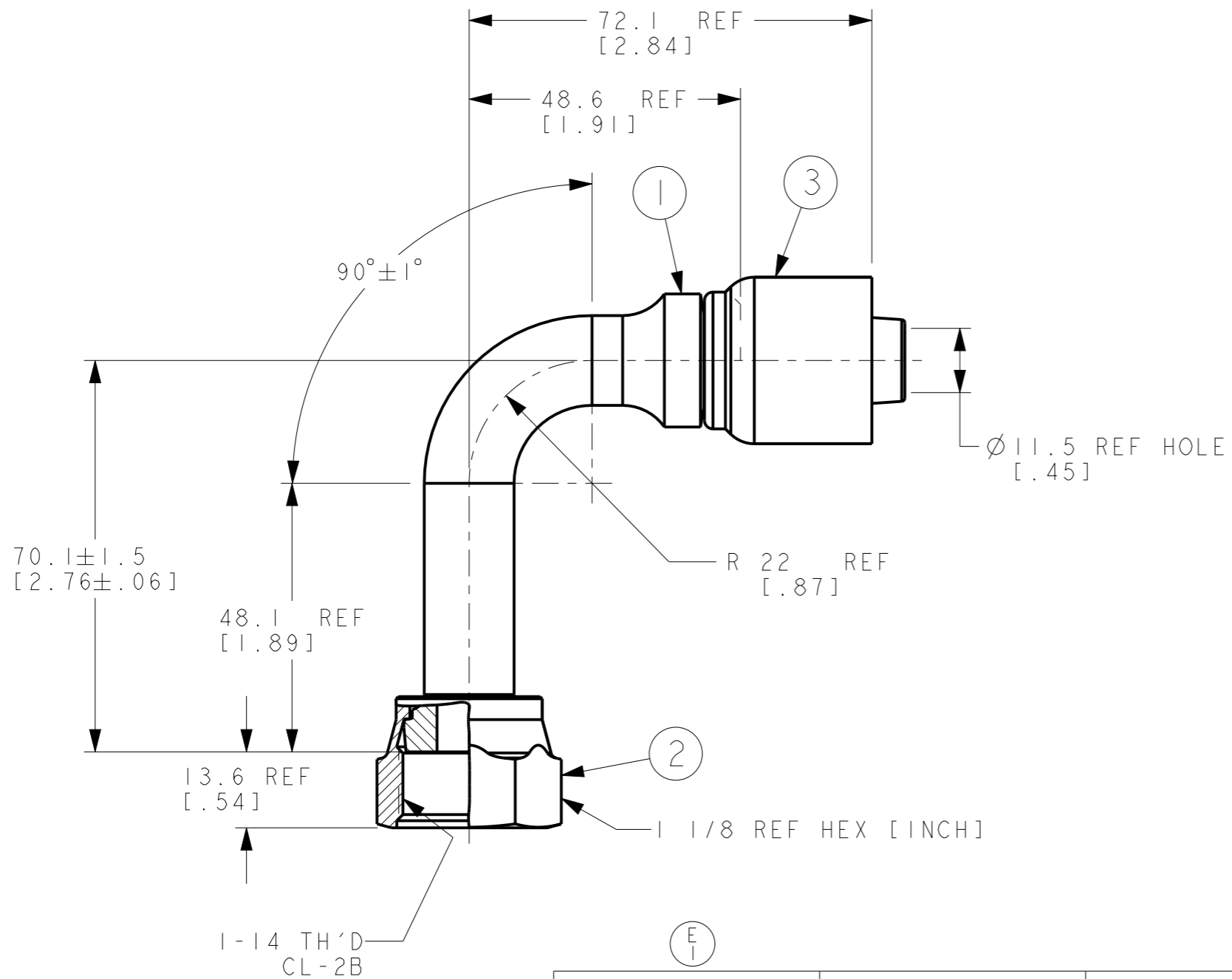


| REVISIONS | | | |
|-----------|--|-----------------------|-------------|
| REV | DESCRIPTION | DATE | APPROVED |
| E | REDRAWN. UPDATED TO LATEST FORMAT AND DIMENSION STYLE. 1) ADDED WEATHERHEAD PART NUMBER. | 2014-09-18 SBD/DHS | 0102294-ECO |



| | | | | | |
|----------------------------|-------------------------|----------------|------------|----------|--|
| 32710E-A70 | IGA10FRC10 | IF40056-1010AB | FC1473-10S | IG10 | |
| WEATHERHEAD PART NUMBER | AEROQUIP PART NUMBER | ① NIPPLE | ② NUT | ③ SOCKET | |

LIST OF MATERIALS

| ITEM NO. | MATERIAL |
|----------|----------|
| 1 | STEEL |
| 2 | STEEL |
| 3 | STEEL |

| | | | |
|---|--|----------------------------------|------------|
| FLUID CONVEYANCE DIVISION MAUMEE, OHIO U.S.A. | | DRAWN | S. DAVKHAR |
| | | CHECKED | D. SHEWALE |
| | | APPROVED | C. SWITLIK |
| 0102294-ECO | | RELEASE DATE | 2014-09-18 |
| CAGE CODE 01276 | | DRAWING INTERPRETATION PER ES 10 | |
| THIRD ANGLE PROJECTION | | DRAWING TITLE | |
| SIZE A3 | | FITTING ASSEMBLY | |
| SCALE 1/1 | | 90°, ORS FEMALE SWIVEL, OTC | |
| SHEET 1 | | DRAWING NUMBER | REV |
| | | IGA10FRC10 | E |
| THE REPRODUCTION, DISTRIBUTION, AND UTILIZATION OF THIS DOCUMENT AS WELL AS THE COMMUNICATION OF ITS CONTENTS TO OTHERS WITHOUT EXPLICIT AUTHORIZATION IS PROHIBITED. OFFENDERS WILL BE HELD LIABLE FOR THE PAYMENT OF DAMAGES. ALL RIGHTS RESERVED IN THE EVENT OF THE GRANT OF A PATENT, UTILITY MODEL OR DESIGN. (PER ISO 16016) | | | |

- ISAI0FRC10 NIPPLE ASSEMBLY MAY BE SUBSTITUTED FOR ITEMS #1 AND #2.
- PROCESS AS FOLLOWS:
 - BEND NIPPLE TO DIMENSIONS SHOWN.
 - ZINC PLATE PER ES 2751.
 - CRIMP NUT PER ES 2409PI.
 - ASSEMBLE SOCKET PER ACES 2813.
- DIMENSIONS ARE IN MILLIMETERS [INCHES].