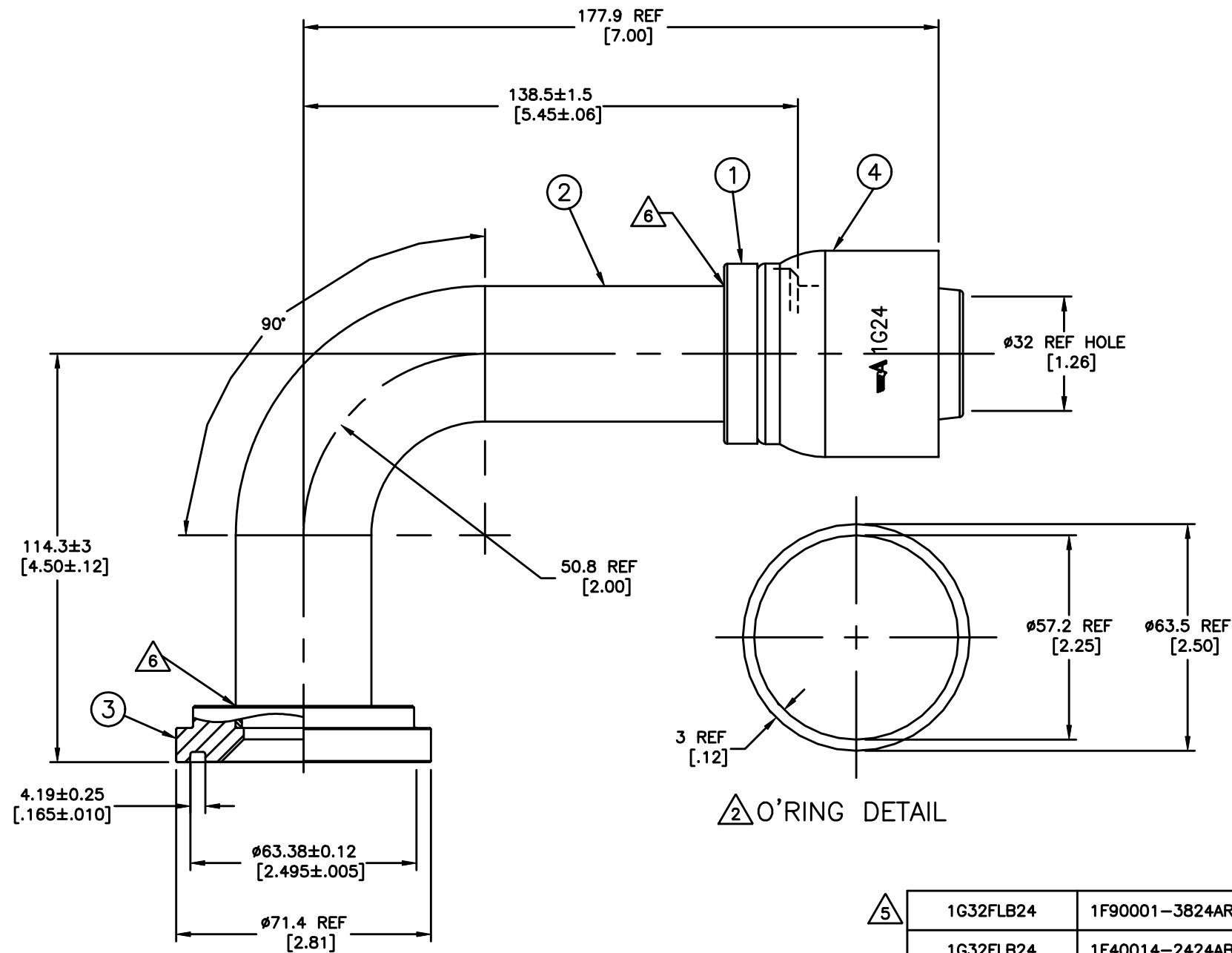


REVISIONS			
REV	DESCRIPTION	DATE	APPROVED
F	REDRAWN & REDESIGNED (1) ADDED INCH DIMENSIONS AND NOTE #4 (2) ADDED ALTERNATE CONSTRUCTION, NOTE #5.	2000-09-11	EN-F22890 DP-1299 BAL/WRH



METRIC

- 6. BRAZE PER ACES 2814.
- 5. ALTERNATIVE CONSTRUCTION. (F2)
- 4. DIMENSIONS ARE IN MILLIMETERS [INCHES]. (F1)
- 3. 1S32FLB24 NIPPLE ASSEMBLY MAY BE SUBSTITUTED FOR ITEMS #1, #2 & #3.
- 2. O'RING SHOWN FOR REFERENCE ONLY: SUPPLIED BUT NOT FURNISHED WITH ASSEMBLY.
- 1. ZINC PLATE PER ACES 2751.

5	1G32FLB24	1F90001-3824AR	19.020-38.29	17.007-38-32	1G24	
	1G32FLB24	1F40014-2424AB	1F40034-24-01AB	4624-32-24S	1G24	
	AEROQUIP PART NUMBER	(1) NIPPLE	(2) ELBOW	(3) SHOULDER	(4) SOCKET	

LIST OF MATERIALS

ITEM NO.	MATERIAL
1	STEEL
2	STEEL
3	STEEL
4	STEEL

DRAWN B.LAMPLEY CHECKED W.R.HYDE APPROVED W.R.HYDE RELEASE DATE 2002-10-16 EN-F22890 DP-1299 THIRD ANGLE PROJECTION	Danfoss FLUID CONVEYANCE DIVISION DRAWING TITLE FITTING ASSEMBLY 90°, SPLIT FLANGE TYPE (CODE 61), OTC
SCALE 1/1 DIST U CAGE CODE 01276	SIZE A2 DRAWING NUMBER 1G32FLB24 REV F
SHEET	

THE REPRODUCTION, DISTRIBUTION AND UTILIZATION OF THIS DOCUMENT, AS WELL AS THE COMMUNICATION OF ITS CONTENTS TO OTHERS WITHOUT EXPLICIT AUTHORIZATION IS PROHIBITED. OFFENDERS WILL BE HELD LIABLE FOR THE PAYMENT OF DAMAGES. ALL RIGHTS RESERVED IN THE EVENT OF THE GRANT OF A PATENT, UTILITY MODEL OR DESIGN. (PER ISO 16016)

SH. REV. F
 1G32FLB24
 DWG. NO.