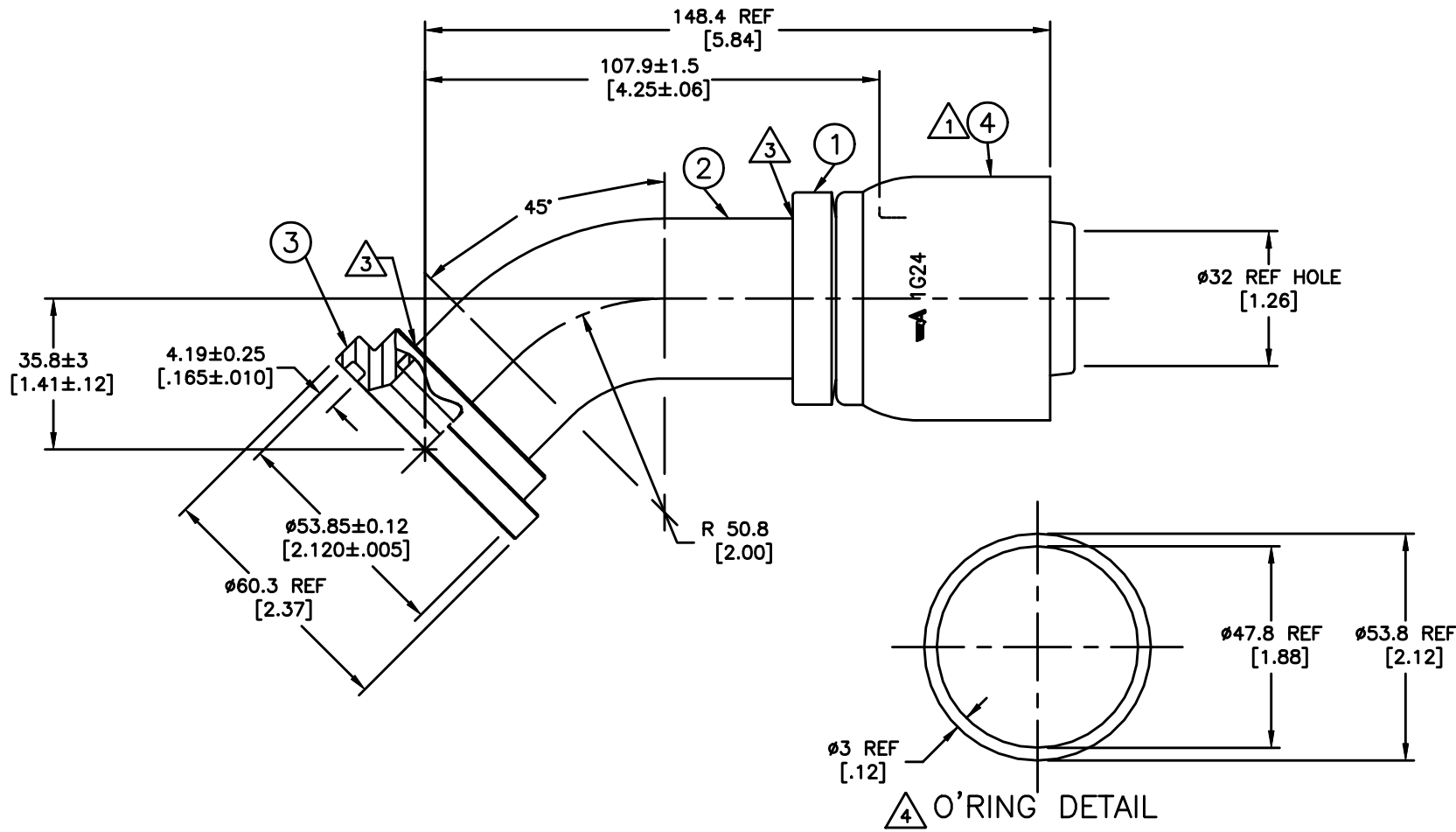


REVISIONS			
REV	DESCRIPTION	DATE	APPROVED
C	REDRAWN - REDESIGNED (1) ADDED INCH DIMENSIONS AND NOTE #7. (2) ADDED ALTERNATIVE CONSTRUCTION.	2002-08-27	EN-F22892 DP-1299 W.R.H./BAT



METRIC

6	1G24FLA24	1F90001-3824AR	19.021-38.16	17.007-38-24	1G24	
5	1G24FLA24	1F40014-2424AB	1F40035-24-01AB	4624-24S	1G24	
	AEROQUIP PART NUMBER	① NIPPLE	② ELBOW	③ SHOULDER	④ SOCKET	

LIST OF MATERIALS

ITEM NO.	MATERIAL
1	STEEL
2	STEEL
3	STEEL
4	STEEL

DRAWN W.R.HYDE CHECKED B.THOMAS APPROVED B.THOMAS RELEASE DATE 2002-09-03 EN-F22892 DP-1299 THIRD ANGLE PROJECTION	FLUID CONVEYANCE DIVISION DRAWING TITLE FITTING ASSEMBLY 45°, SPLIT FLANGE TYPE (CODE 61), OTC
SIZE A2	DRAWING NUMBER 1G24FLA24
SCALE 1/1	DIST U
CAGE CODE 01276	SHEET

- 7. DIMENSIONS ARE IN MILLIMETERS [INCHES]. (C1)
- 6. ALTERNATIVE CONSTRUCTION. (C2)
- 5. 1S24FLA24 NIPPLE ASSEMBLY MAY BE SUBSTITUTED FOR ITEMS #1, #2, AND #3.
- 4. O-RING SHOWN FOR REFERENCE ONLY. SUPPLIED BUT NOT FURNISHED WITH ASSEMBLY.
- 3. BRAZE PER ACES 2814.
- 2. ZINC PLATE PER 2751.
- 1. CRIMP PER ACES 2813.

1G24FLA24